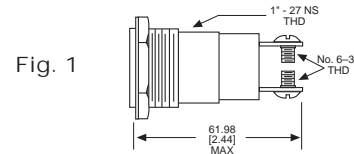


## 031 SERIES FOR 1" MOUNTING HOLE • FRICTION-FIT-CAP

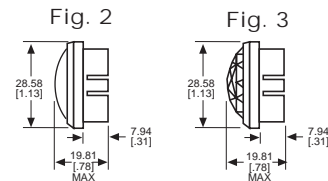
BASE PART NO.	VOLTAGE	FIG
031-3101-01-101	6-250	1



Uses:  
S-6  
CANDELABRA  
SCREW BASE  
INCANDESCENT  
LAMP

CAP PART NO.	COLOR	FIG
031-0111-300	RED	2
031-0112-300	GREEN	2
031-0113-300	AMBER	2
031-0135-300	WHITE	2
031-0137-300	CLEAR	2

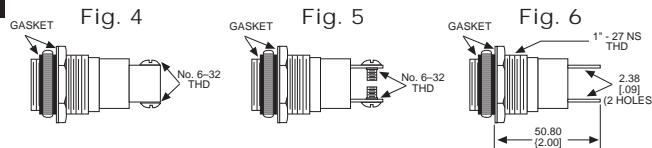
CAP PART NO.	COLOR	FIG
031-0431-300	RED	3
031-0432-300	GREEN	3
031-0433-300	AMBER	3
031-0435-300	WHITE	3
031-0437-300	CLEAR	3



Material & Finish: Base - Nickel Plated Brass, Cap - Polycarbonate with Chrome Plated Brass Bezel

## 051 & 080 SERIES FOR 1" MOUNTING HOLE • WATERTIGHT

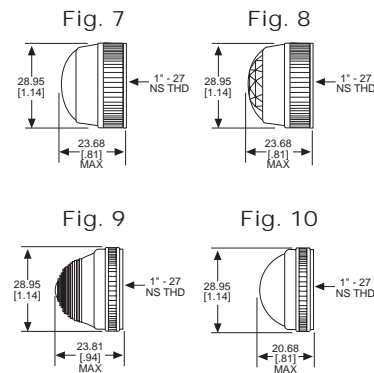
BASE PART NO.	VOLTAGE	FIG
080-0901-05-303	6-250	4
080-3101-05-303	6-250	5
080-4001-05-303	6-250	6



Uses:  
S-6  
CANDELABRA  
SCREW BASE  
INCANDESCENT  
LAMP

CAP PART NO.	COLOR	FIG
051-0111-303	RED	7
051-0112-303	GREEN	7
051-0113-303	AMBER	7
051-0135-303	WHITE	7
051-0137-303	CLEAR	7
051-0431-303	RED	8
051-0432-303	GREEN	8
051-0433-303	AMBER	8
051-0435-303	WHITE	8
051-0437-303	CLEAR	8

CAP PART NO.	COLOR	FIG
080-0531-303	RED	9
080-0532-303	GREEN	9
080-0533-303	AMBER	9
080-0535-303	WHITE	9
080-0537-303	CLEAR	9
080-1231-303	RED	10
080-1232-303	GREEN	10
080-1233-303	AMBER	10
080-1235-303	WHITE	10
080-1237-303	CLEAR	10

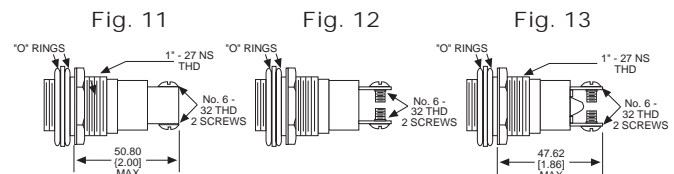


Material & Finish: Base - Chrome Plated Brass, Cap - Polycarbonate with Chrome Plated Brass Bezel

## 103 SERIES FOR 1" MOUNTING HOLE • OILTIGHT\*

BASE PART NO.	VOLTAGE	FIG
103-0901-05-103	6-250	11
103-3101-05-103	6-250	12
103-3502-05-103†	24-250	13

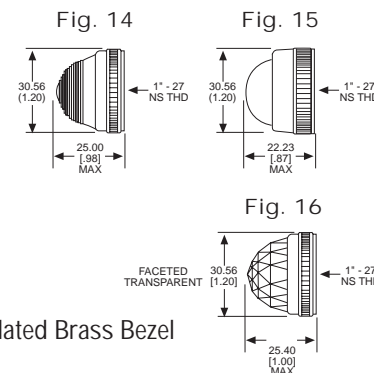
† Takes S-6 Double Contact Bayonet Base Lamp



Uses:  
S-6  
CANDELABRA  
SCREW BASE  
INCANDESCENT  
LAMP

CAP PART NO.	COLOR	FIG
103-0531-403	RED	14
103-0532-403	GREEN	14
103-0533-403	AMBER	14
103-0535-403	WHITE	14
103-0537-403	CLEAR	14
103-1231-403	RED	15
103-1232-403	GREEN	15

CAP PART NO.	COLOR	FIG
103-1233-403	AMBER	15
103-1235-403	WHITE	15
103-1237-403	CLEAR	15
103-1331-403	RED	16
103-1332-403	GREEN	16
103-1333-403	AMBER	16
103-1335-403	WHITE	16
103-1337-403	CLEAR	16



Material & Finish: Base - Nickel Plated Brass, Cap - Polycarbonate with Chrome Plated Brass Bezel

Neon and incandescent lamp information on Pages 35 and 36.

\* See Page 14 for Oiltight information

Dimensions in mm [inches]