

MODEL NUMBER
CPL-5046-30-NNN-79

NOTES:

1.0 ELECTRICAL SPECIFICATIONS:

- 1.1 FREQUENCY RANGE: 2.0 to 4.0 GHz
- 1.2 COUPLING: 30 ±1.0dB
- 1.3 FREQUENCY SENSITIVITY: ±0.75dB
- 1.4 INSERTION LOSS: 0.20dB MAX.
- 1.5 DIRECTIVITY: 25dB MIN
- 1.6 VSWR: 1.15:1 MAX.
- 1.7 INPUT POWER:

AVG INPUT: 500 WATTS
AVG. REVERSE: 500 WATTS
AVG. PEAK: 10 KILOWATTS

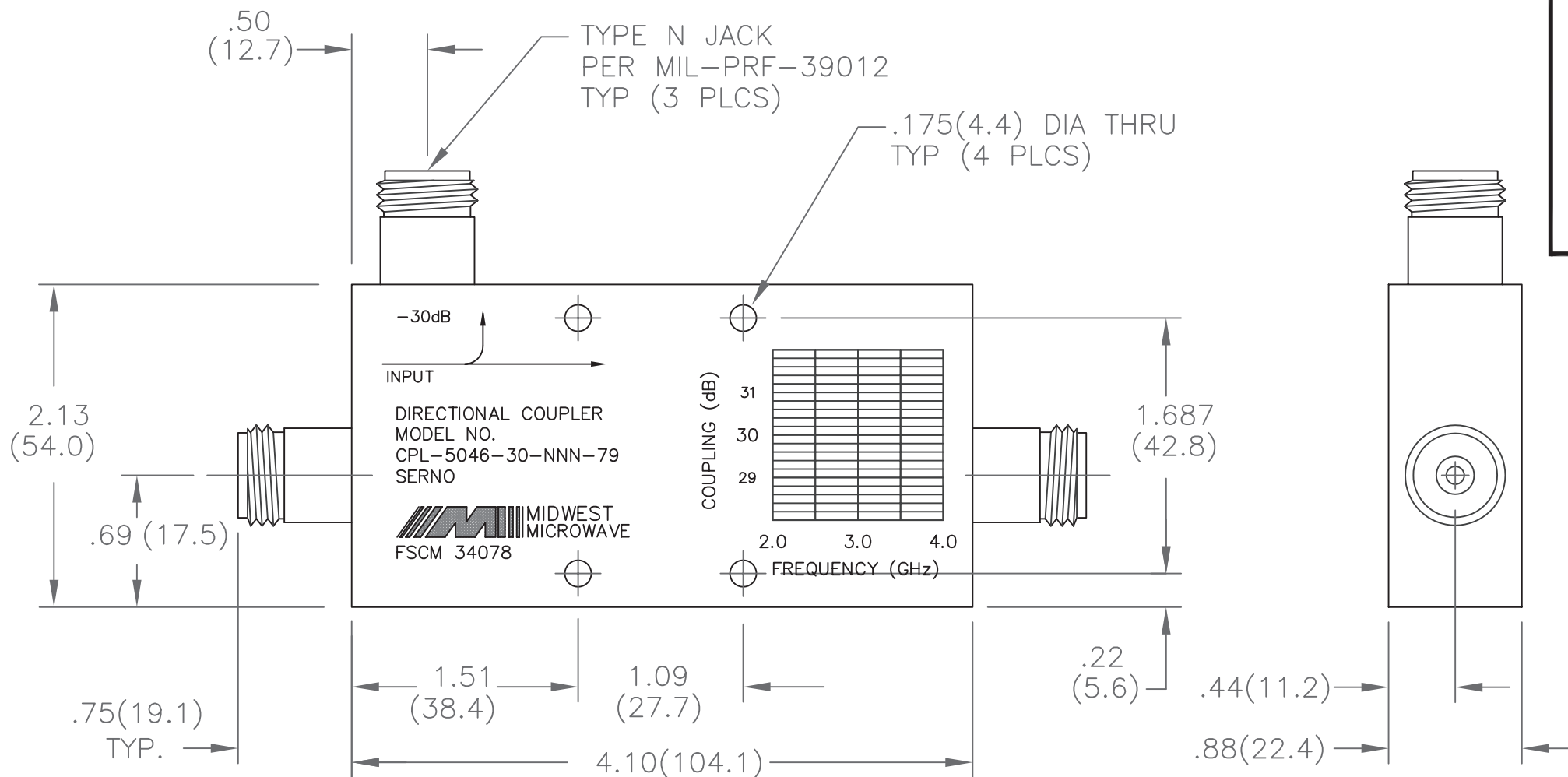
2.0 WEIGHT: 0.45 Kg. (1.0 lbs)

3.0 FINISHING:


- 3.1 GREY PER MIL-E-15090 TYPE II, CLASS 2
OVER MIL-C-5541 CLASS 3A
MEETS MIL-F-14072
MEETS MIL-E-5400

- 3.2 MARK UNIT AS SHOWN
(REF.: SLK-09144-82-06)
USING BLUE INK.

4.0 DIMENSIONS IN PARENTHESIS
ARE IN MILLIMETERS.



REV.	DESCRIPTION	DATE
-	RELEASED	2/20/94
A	ECN 14409	4/5/95
A1	ADDED TITLEBLOCK	4/13/05
C	ECO 22853	11/16/10

NOTICE: The information contained in this drawing is proprietary and must not be used without the permission of Cinch Connectivity Solutions.		CAGE CODE 34078	MIDWEST MICROWAVE	
UNLESS OTHERWISE NOTED DIMENSIONS ARE IN INCHES AND TOLERANCES ARE: 3 PLACE DECIMALS ±.005 2 PLACE DECIMALS ±.02 FRACTIONS ±1/64 PARALLELITY: T.I.R. _____ FLATNESS: T.I.R. _____ CONCENTRICITY: T.I.R. _____ ANGLES AND PERPENDICULARITY: ±1°				TITLE DIRECTIONAL COUPLER OUTLINE DRAWING
DRAWN/DATE A.BEATTY 10/29/93	ENG./DATE P.GOODMAN 2/18/94	DRAWING NUMBER CPL-5046-30-NNN-79-01		REV. C
CHECKED/DATE M.HOLLMAN 1/18/94	APPROVED/DATE	SCALE: 1=1	SHEET 1 of 1	