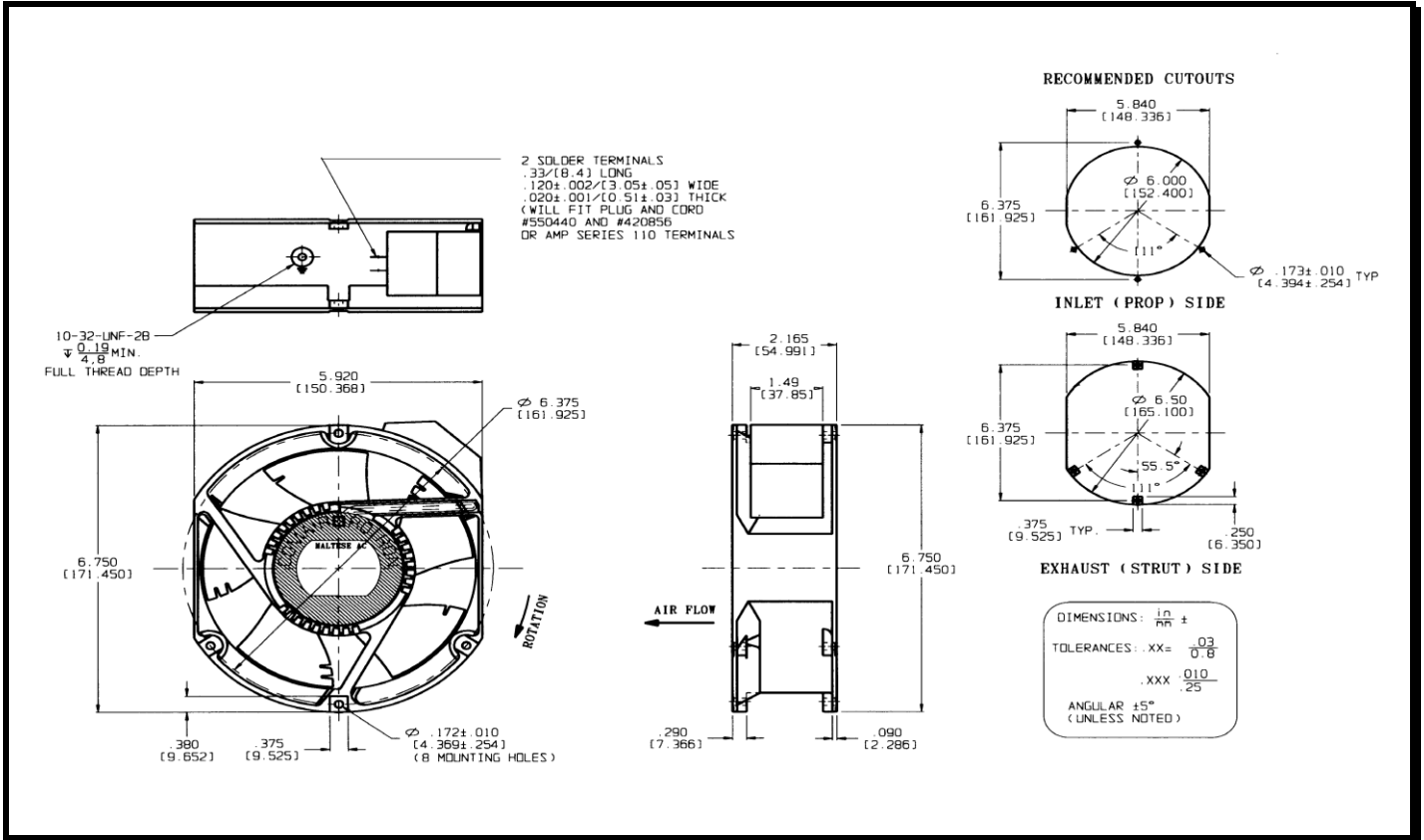


SPECIFICATIONS



Model Number: MA2B3
Part Number: 19031842A **SPEC Number:** 26013942A **December 10,2012**

Mechanical Drawing:



Motor:

Nominal Voltage	= 115 VAC
Frequency	= 50 / 60 Hz
Nominal Running Current	= 0.330/ 0.360 Amps
Max. Locked Rotor Current	= 0.750 Amps
Running Power	= 40.5 / 41.4 Watts
Average Speed	= 2850 / 3400 RPM
Bearings	= Ball
Air Flow	= 250 / 300 CFM
Acoustic:	= 54 / 59 dBA

Construction:

Venturi: Single Piece Die cast Aluminum, Black
 Propeller: Plastic, Black, UL 94V-0

Life Expectancy:

This fan is designed for continuous duty life of 53,000 hours at 40°C.

Additional Features:

Permanent Split Capacitor Motor
 Automatic Restart Capability
 Automatic Reset Thermal Protector
 Operating Temperature: -10°C to 70°C
 Storage Temperature: -40°C to 85°C

Termination:

0.110" Terminals

Agency Approvals:

UL,CUL,CE