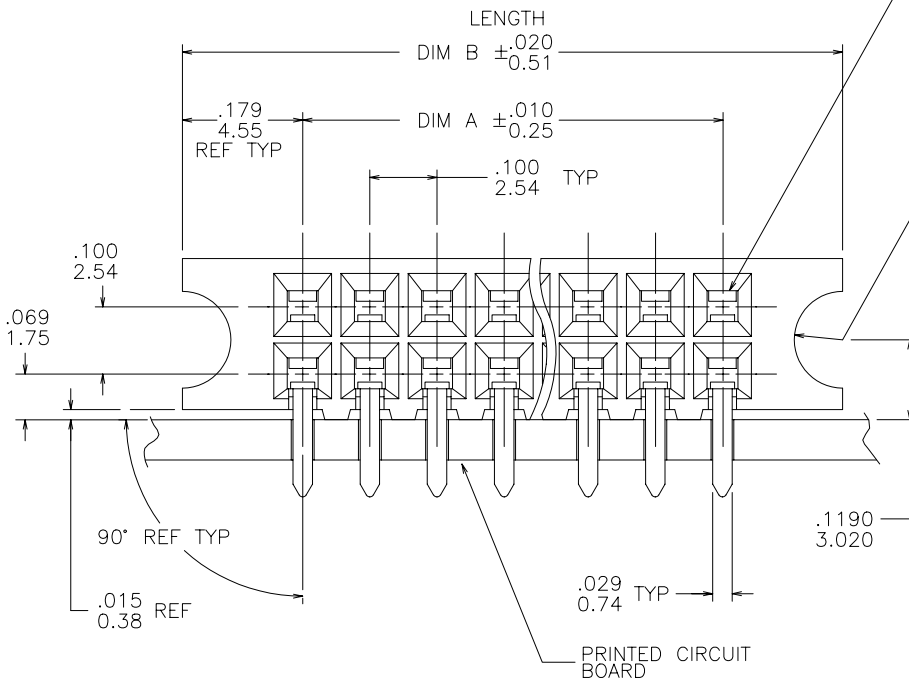
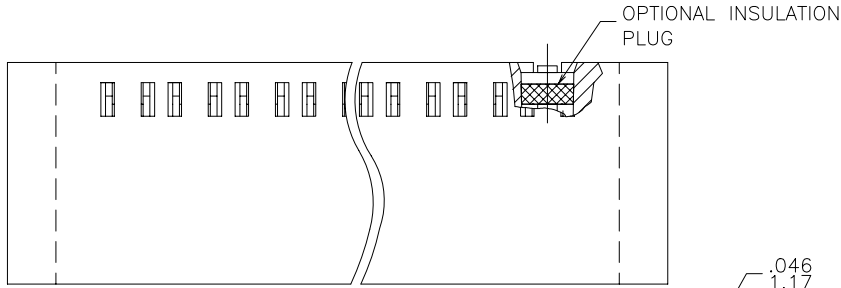
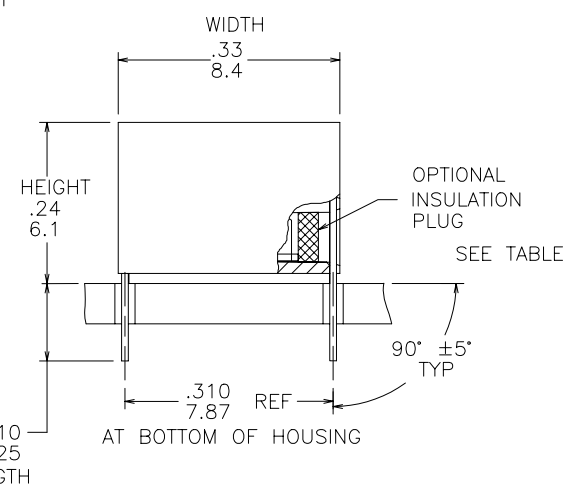


PRODUCT NO.
SEE TABLE



$.046$
1.17 SQUARE CONTACT
OPENING TYP

$\phi .144$ $+0.003$
 -0.002 TYP
3.66 $+0.76$
 -0.51



FCIconnect.com

Copyright FCI

mat'l. code		surface		tolerance		projection		product family	
-		ISO 1302 <input checked="" type="checkbox"/>		ISO 406 ISO 1101				CARD CONN	
ltr		ecn no/dr		date		tolerances unless otherwise specified		title	
E		v61667		LSS 12/13/96		angles		GUIDE PIN	
F		v71000		LSS 12/23/97		linear		CARD CONNECTOR	
G		v02386		AZ 10/05/00		0° $\pm 2^\circ$		INCH/MM	
H		M05-0181		MHT 8/22/05		dr		scale 4:1	
J		M06-0117		AEA 06/27/06		enr		dwg no	
						chr		sheet 1 of 6 size	
						appd		67683	
								A3	
								type Product Customer Drawing	
sheet index		revision sheet		J J J J J J J		J J J J J			
		1 2 3 4 5 6							

form: A3

PRODUCT NO.
SEE TABLE

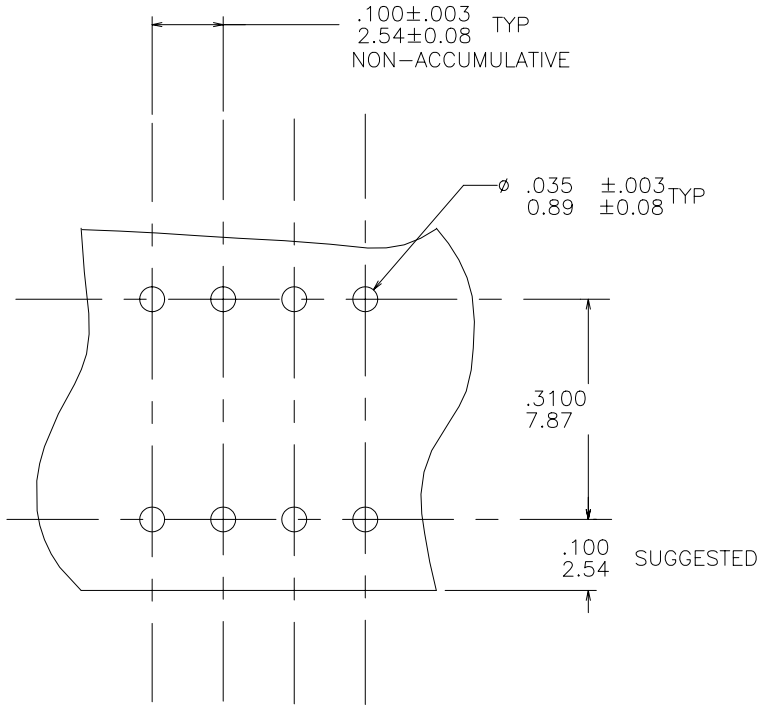


FIGURE 1

NOTES:

- HOUSING MATERIAL:
FILLED HIGH TEMPERATURE NYLON
PER UL 94V-0
COLOR: BLACK
- TERMINAL MATERIAL:
BODY: BRASS. .010/0.25 THICK
SPRING: BE-CU. HEAT TREATED
BODY PLATING :
15 MICROINCH GOLD/0.38 MICRON GOLD
IN CONTACT AREA
SPRING PLATING: GOLD FLASH
- APPLICATION INFORMATION:
A. RECOMMENDED MOUNTING HOLE
PATTERN IS SHOWN IN FIGURE "1"
B. ALL MATING PINS TO BE .025/.64 SQUARE ON
TRUE CENTER OF GIVEN TERMINAL
SPACINGS WITHIN .015/0.38 DIA.
C. SUGGESTED MATING PIN LENGTH
.350±.020/8.89±0.51
- ADD "LF" SUFFIX AT THE END OF PART NUMBER FOR LEAD
FREE OPTION.
- THESE PRODUCT MEETS EUROPEAN UNION DIRECTIVES AND OTHER
COUNTRY REGULATIONS AS DESCRIBED IN GS-22-008
- THIS PART WILL WITHSTAND EXPOSURE TO 260°C PEAK TEMPERATURE
FOR 20 SECONDS IN A WAVE SOLDER, INFRA-RED OR VAPOR PHASE
SOLDER PROCESS.



FCIconnect.com

Copyright FCI

mat'l. code -		surface ISO 1302 ✓		tolerance ISO 406 ISO 1101		projection ⊕		product family CARD CONN	
ltr J		ecn no dr		date		tolerances unless otherwise specified		title GUIDE PIN CARD CONNECTOR	
						linear .xx±.01/.3 .xxx ±.005/.13 .xxxx ±.0020/.051		INCH/MM scale 4:1	
				dr J. SHREINER		3/13/91		dwg no 67683	
				enfr M. HAHN		3/13/91		sheet 2 of 6 size A3	
				chr M. HAHN		3/13/91		type Product Customer Drawing	
				appd M. HAHN		3/13/91			
sheet index		revision sheet							

form: A3

PRODUCT NO.	NO. OF POS.	A DIM	B DIM	INSUL. PLUG	LEAD FREE OPTION
67683-001		UNAVAILABLE			NOTE 5,6
-002	2X2	.100/2.54	.458/11.63	NO	
-003	2X3	.200/5.08	.558/14.17		
-004	2X4	.300/7.62	.658/16.71		
-005	2X5	.400/10.16	.758/19.25		
-006	2X6	.500/12.70	.858/21.79		
-007	2X7	.600/15.24	.958/24.33		
-008	2X8	.700/17.78	1.058/26.87		
-009	2X9	.800/20.32	1.158/29.41		
-010	2X10	.900/22.86	1.258/31.95		
-011	2X11	1.000/25.4	1.358/34.49		
-012	2X12	1.100/27.94	1.458/37.03		
-013	2X13	1.200/30.48	1.558/39.57		
-014	2X14	1.300/33.02	1.658/42.11		
-015	2X15	1.400/35.56	1.758/44.65		
-016	2X16	1.500/38.10	1.858/47.19		
-017	2X17	1.600/40.64	1.958/49.73		
-018	2X18	1.700/43.18	2.058/52.27		
-019	2X19	1.800/45.72	2.158/54.81		
-020	2X20	1.900/48.26	2.258/57.35		
-021	2X21	2.000/50.80	2.358/59.89		
-022	2X22	2.100/53.34	2.458/62.43		
-023	2X23	2.200/55.88	2.558/64.97		
-024	2X24	2.300/58.42	2.658/67.51		
-025	2X25	2.400/60.96	2.758/70.05		
-026	2X26	2.500/63.50	2.858/72.59		
-027	2X27	2.600/66.04	2.958/75.13		
-028	2X28	2.700/68.58	3.058/77.67		
-029	2X29	2.800/71.12	3.158/80.21		
-030	2X30	2.900/73.66	3.258/82.75		
-031	2X31	3.000/76.20	3.358/85.29		
-032	2X32	3.100/78.74	3.458/87.83		
-033	2X33	3.200/81.28	3.558/90.37		
-034	2X34	3.300/83.82	3.658/92.91		
-035	2X35	3.400/86.36	3.758/95.45		
-036	2X36	3.500/88.90	3.858/97.99		
-037	2X37	3.600/91.44	3.958/100.53		
-038	2X38	3.700/93.98	4.058/103.07		
-039	2X39	3.800/96.52	4.158/105.61		
67683-040	2X40	3.900/99.60	4.258/108.15	NO	NOTE 5,6



Copyright FCI

mat'l. code		surface		tolerance		projection		product family	
-		ISO 1302 ✓		ISO 406 ISO 1101				CARD CONN	
ltr		ecn no dr		date		tolerances unless otherwise specified		title	
J						.xx±.01/.3 .xxx ±.005/.13 .xxxx ±.0020/.051		INCH/MM scale 4:1	
						angles linear 0'±2'		title GUIDE PIN CARD CONNECTOR	
						dr J. SHREINER 3/13/91 engr M. HAHN 3/13/91 chr M. HAHN 3/13/91 appd M. HAHN 3/13/91		dwg no sheet 3 of 6 size 67683 A3	
								type Product Customer Drawing	
sheet index		revision sheet							

PRODUCT NO.	NO. OF POS.	A DIM	B DIM	INSULATION PLUG	LEAD FREE OPTION
67683-041	2X41	4.00/101.6	4.358/110.69	NO	NOTE 5,6
-042	2X42	4.10/104.1	4.458/113.23		
-043	2X43	4.20/106.6	4.558/115.77		
-044	2X44	4.30/109.2	4.658/118.31		
-045	2X45	4.40/111.7	4.758/120.85		
-046	2X46	4.50/114.3	4.858/123.39		
-047	2X47	4.60/116.8	4.958/125.93		
-048	2X48	4.70/119.3	5.058/128.47		
-049	2X49	4.80/121.9	5.158/131.01		
-050	2X50	4.90/124.4	5.258/133.55		
-051	2X51	5.00/127.0	5.358/136.09		
-052	2X52	5.10/129.5	5.458/138.63		
-053	2X53	5.20/132.0	5.558/141.17		
-054	2X54	5.30/134.6	5.658/143.71		
-055	2X55	5.40/137.1	5.758/146.25		
-056	2X56	5.50/139.7	5.858/148.79		
-057	2X57	5.60/142.2	5.958/151.33		
-058	2X58	5.70/144.7	6.058/153.87		
-059	2X59	5.80/147.3	6.158/156.41		
-060	2X60	5.90/149.8	6.258/158.95		
-061	2X61	6.00/152.4	6.358/161.49		
-062	2X62	6.10/154.9	6.458/164.03		
-063	2X63	6.20/157.4	6.558/166.57		
-064	2X64	6.30/160.0	6.658/169.11		
67683-065	2X65	6.40/162.5	6.758/171.65	NO	NOTE 5,6
-066 THRU					
-100					

OBSOLETE



FCJconnect.com

Copyright FCJ

mat'l. code		surface		tolerance		projection		product family	
-		ISO 1302 ✓		ISO 406 ISO 1101				CARD CONN	
ltr	ecn	no	dr	date	tolerances unless otherwise specified		title		
J					angles	linear	INCH/MM		GUIDE PIN CARD CONNECTOR
					0°±2'	.xx±.01/.3 .xxx ±.005/.13 .xxxx ±.0020/.051	scale 4:1		
					dr	J. SHREINER	3/13/91		dwg no
					enr	M. HAHN	3/13/91		sheet 4 of 6 size
					chr	M. HAHN	3/13/91		67683 A3
					appd	M. HAHN	3/13/91		type Product Customer Drawing
sheet index	revision sheet								



form: A3

PRODUCT NO.	NO. OF POS.	A DIM	B DIM	INSUL. PLUG	LEAD FREE OPTION
67683-501		UNAVAILABLE			NOTE 5,6
-502	2X2	.100/2.54	.458/11.63	YES	
-503	2X3	.200/5.08	.558/14.17		
-504	2X4	.300/7.62	.658/16.71		
-505	2X5	.400/10.16	.758/19.25		
-506	2X6	.500/12.70	.858/21.79		
-507	2X7	.600/15.24	.958/24.33		
-508	2X8	.700/17.78	1.058/26.87		
-509	2X9	.800/20.32	1.158/29.41		
-510	2X10	.900/22.86	1.258/31.95		
-511	2X11	1.000/25.4	1.358/34.49		
-512	2X12	1.100/27.94	1.458/37.03		
-513	2X13	1.200/30.48	1.558/39.57		
-514	2X14	1.300/33.02	1.658/42.11		
-515	2X15	1.400/35.56	1.758/44.65		
-516	2X16	1.500/38.10	1.858/47.19		
-517	2X17	1.600/40.64	1.958/49.73		
-518	2X18	1.700/43.18	2.058/52.27		
-519	2X19	1.800/45.72	2.158/54.81		
-520	2X20	1.900/48.26	2.258/57.35		
-521	2X21	2.000/50.80	2.358/59.89		
-522	2X22	2.100/53.34	2.458/62.43		
-523	2X23	2.200/55.88	2.558/64.97		
-524	2X24	2.300/58.42	2.658/67.51		
-525	2X25	2.400/60.96	2.758/70.05		
-526	2X26	2.500/63.50	2.858/72.59		
-527	2X27	2.600/66.04	2.958/75.13		
-528	2X28	2.700/68.58	3.058/77.67		
-529	2X29	2.800/71.12	3.158/80.21		
-530	2X30	2.900/73.66	3.258/82.75		
-531	2X31	3.000/76.20	3.358/85.29		
-532	2X32	3.100/78.74	3.458/87.83		
-533	2X33	3.200/81.28	3.558/90.37		
-534	2X34	3.300/83.82	3.658/92.91		
-535	2X35	3.400/86.36	3.758/95.45		
-536	2X36	3.500/88.90	3.858/97.99		
-537	2X37	3.600/91.44	3.958/100.53		
-538	2X38	3.700/93.98	4.058/103.07		
-539	2X39	3.800/96.52	4.158/105.61		
67683-540	2X40	3.900/99.60	4.258/108.15	YES	NOTE 5,6



FCIconnect.com

Copyright FCI

mat'l. code		surface		tolerance		projection		product family	
-		ISO 1302 ✓		ISO 406 ISO 1101				CARD CONN	
ltr		ecn no dr		date		tolerances unless otherwise specified		title	
J						.xx±.01/.3 .xxx ±.005/.13 .xxxx ±.0020/.051		INCH/MM scale 4:1	
						dr J. SHREINER 3/13/91 engr M. HAHN 3/13/91 chr M. HAHN 3/13/91 appd M. HAHN 3/13/91		dwg no sheet 5 of 6 size 67683 A3	
								type Product Customer Drawing	
sheet index		revision sheet							

PRODUCT NO.	NO. OF POS.	A DIM	B DIM	INSULATION PLUG	LEAD FREE OPTION
67683-541	2X41	4.00/101.6	4.358/110.69	YES	NOTE 5,6
-542	2X42	4.10/104.1	4.458/113.23		
-543	2X43	4.20/106.6	4.558/115.77		
-544	2X44	4.30/109.2	4.658/118.31		
-545	2X45	4.40/111.7	4.758/120.85		
-546	2X46	4.50/114.3	4.858/123.39		
-547	2X47	4.60/116.8	4.958/125.93		
-548	2X48	4.70/119.3	5.058/128.47		
-549	2X49	4.80/121.9	5.158/131.01		
-550	2X50	4.90/124.4	5.258/133.55		
-551	2X51	5.00/127.0	5.358/136.09		
-552	2X52	5.10/129.5	5.458/138.63		
-553	2X53	5.20/132.0	5.558/141.17		
-554	2X54	5.30/134.6	5.658/143.71		
-555	2X55	5.40/137.1	5.758/146.25		
-556	2X56	5.50/139.7	5.858/148.79		
-557	2X57	5.60/142.2	5.958/151.33		
-558	2X58	5.70/144.7	6.058/153.87		
-559	2X59	5.80/147.3	6.158/156.41		
-560	2X60	5.90/149.8	6.258/158.95		
-561	2X61	6.00/152.4	6.358/161.49		
-562	2X62	6.10/154.9	6.458/164.03		
-563	2X63	6.20/157.4	6.558/166.57		
-564	2X64	6.30/160.0	6.658/169.11		
67683-565	2X65	6.40/162.5	6.758/171.65	YES	
566 THRU					
600					

NOTE 5,6 OBSOLETE



FCJconnect.com

Copyright FCJ

mat'l. code		surface		tolerance		projection		product family	
-		ISO 1302 ✓		ISO 406 ISO 1101				CARD CONN	
ltr	ecn	no	dr	date	tolerances unless otherwise specified		title		
J					angles	linear	INCH/MM		GUIDE PIN
					0°±2'	.xx±.01/.3 .xxx ±.005/.13 .xxx ±.0020/.051	scale 4:1		CARD CONNECTOR
					dr	J. SHREINER	3/13/91	dwg no	
					enr	M. HAHN	3/13/91	sheet 6 of 6 size	
					chr	M. HAHN	3/13/91	67683 A3	
					appd	M. HAHN	3/13/91	type Product Customer Drawing	
sheet index	revision sheet								



form: A3