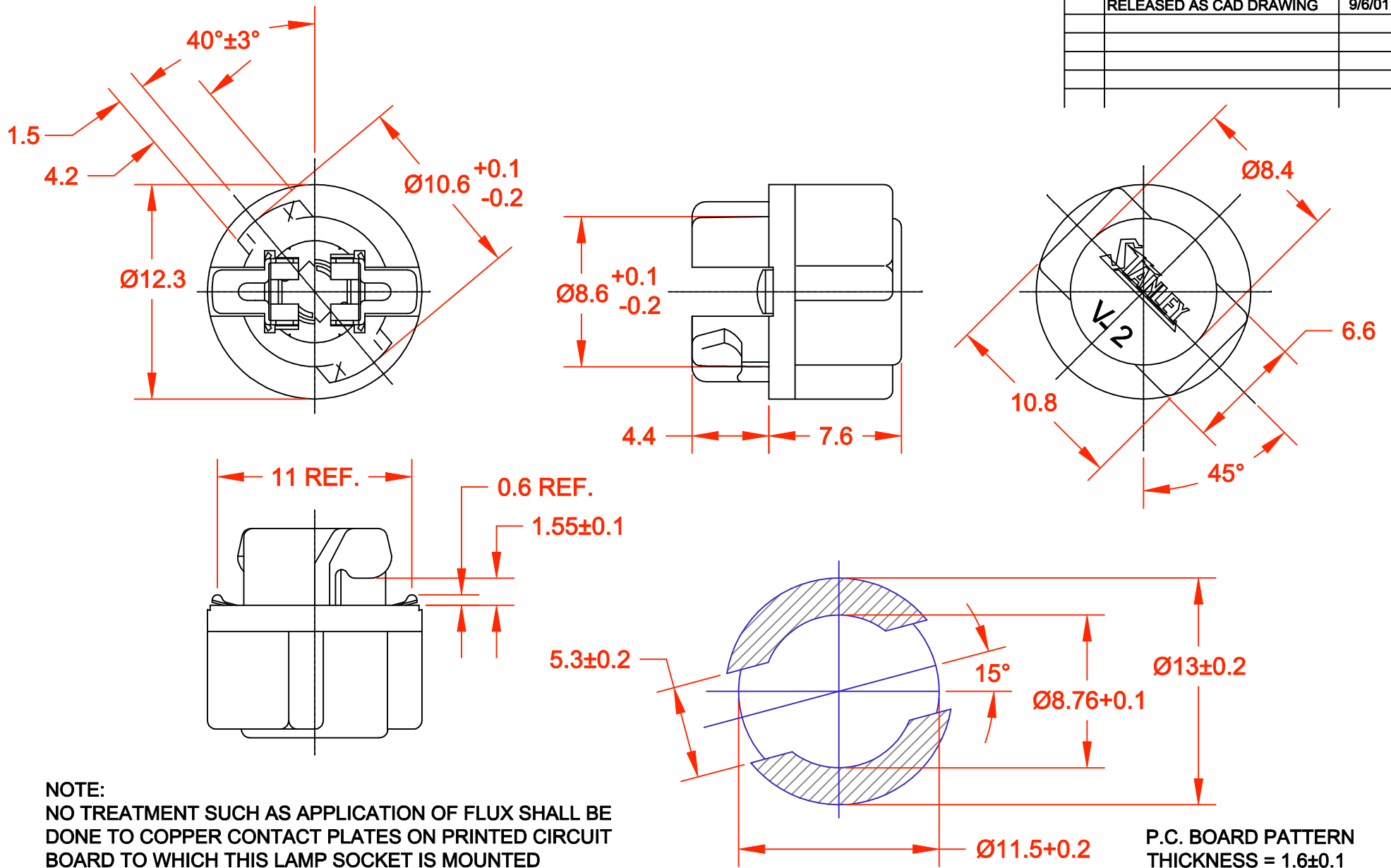


REV.	DESCRIPTION/ECO NO.	DATE
	RELEASED AS CAD DRAWING	9/6/01



NOTE:
NO TREATMENT SUCH AS APPLICATION OF FLUX SHALL BE DONE TO COPPER CONTACT PLATES ON PRINTED CIRCUIT BOARD TO WHICH THIS LAMP SOCKET IS MOUNTED

JKL SOCKET PART NO.	COLOR
2934/BLK	BLACK
2934/BRO	BROWN

METRIC		DIMENSIONS ARE IN MILLIMETERS		JKL COMPONENTS CORPORATION			
 THIRD ANGLE PROJECTION		TOLERANCE UNLESS OTHERWISE SPECIFIED 1 PL +/- 0.2 2 PL +/- 0.20 ANGLE +/- 0		TITLE			
				T-1 3/4 WEDGE BASE SOCKET			
DRAWN BY	APPVD BY	DATE	SIZE	FSCM NO.	DRAWING NO.	SOCKET 2934	
L. WENGSTROM	J.K.	9/6/01	A	55335			
- CAD DRAWING - MANUAL REVISIONS NOT PERMITTED			SCALE	RELEASED DATE	REVISION DATE	REV. NO.	SHEET
			NONE	9/6/01			1 OF 1