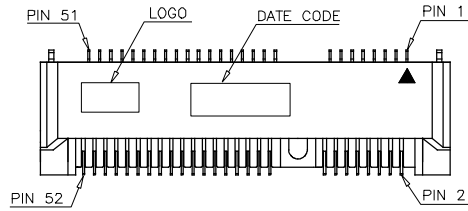


PRODUCT NUMBER

10123824-XXXLF



MATERIAL

HOUSING : THERMO PLASTIC UL94V-0 BLACK
CONTACT : COPPER ALLOY
PEG : COPPER ALLOY

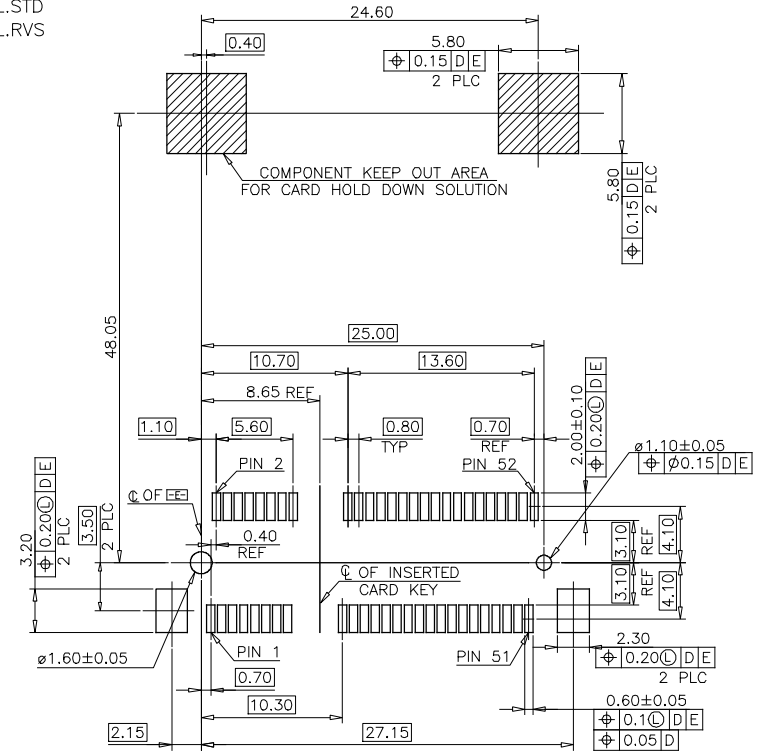
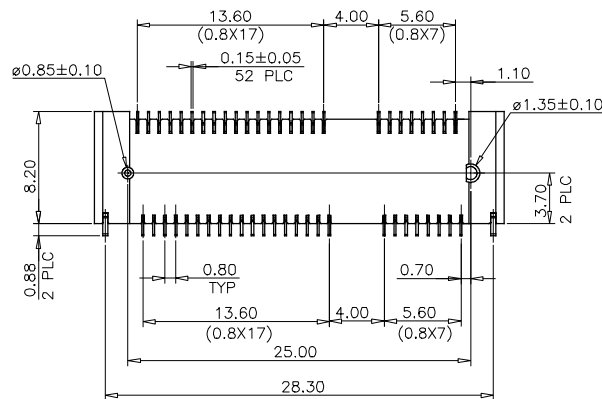
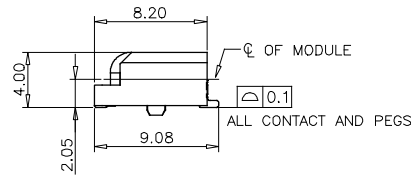
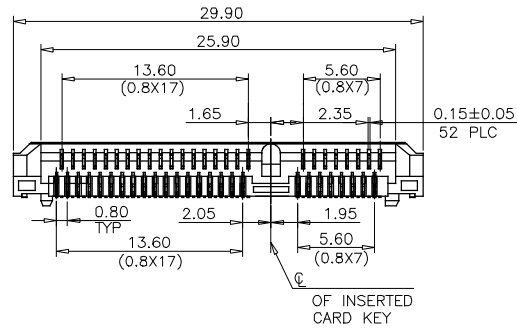
PART NO. SCHEMATIC: 10123824 - XX X LF

TERMINAL PLATING _____ PACKING _____
00: NO PLATING _____ 0: TAPE&REEL.STD
G2: GOLD FLASH 1~3μ^m OVER Ni 50~100μ^m 1: TAPE&REEL.RVS
A2: CONTACT AREA AND SOLDER AREA :
SELECTION GOLD 1μ^m OVER Ni 50~100μ^m
A7: CONTACT AND SOLDER TAIL AREA GOLD PLATING
10μ^m MIN OVER Ni 50~100μ^m

PRODUCT SPEC.: GS-12-1111
PACKAGE SPEC.: GS-14-2284

THIS PRODUCT MEETS EUROPEAN UNION DIRECTIVES AND OTHER COUNTRY REGULATIONS AS DESCRIBED IN GS-47-0004

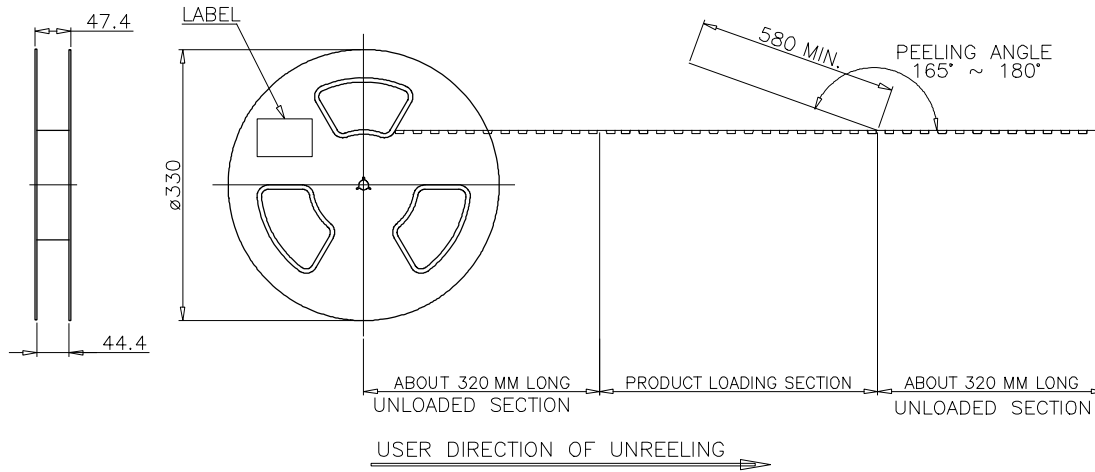
THE HOUSING WILL WITHSTAND EXPOSURE TO 260°C PEAK TEMPERATURE FOR 10 SECONDS IN A CONVECTION, IR OR VAPER PHASE REFLOW OVEN.



[-D-] IS THE TOP SURFACE OF PCB.

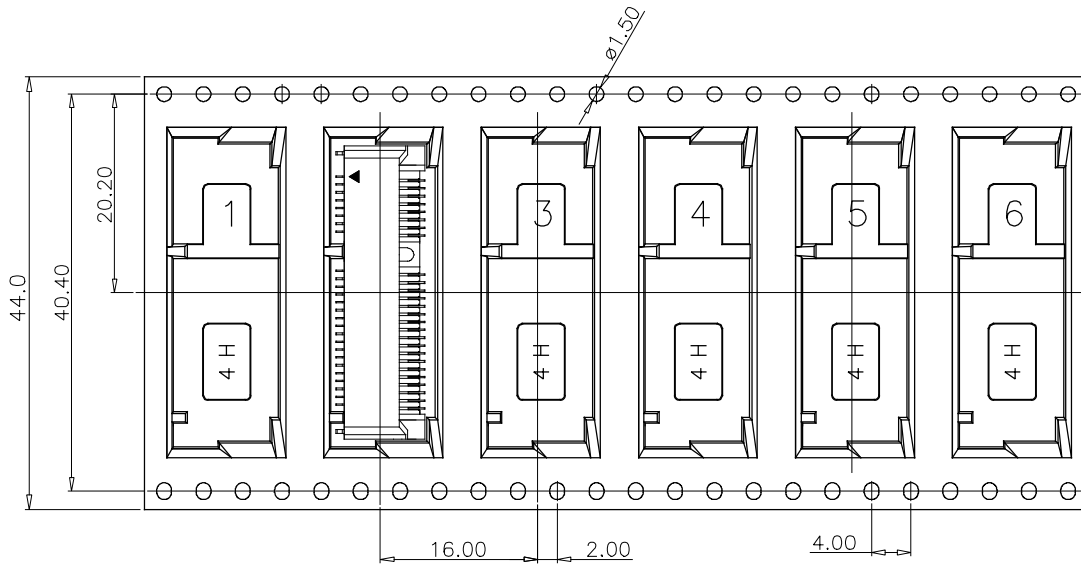
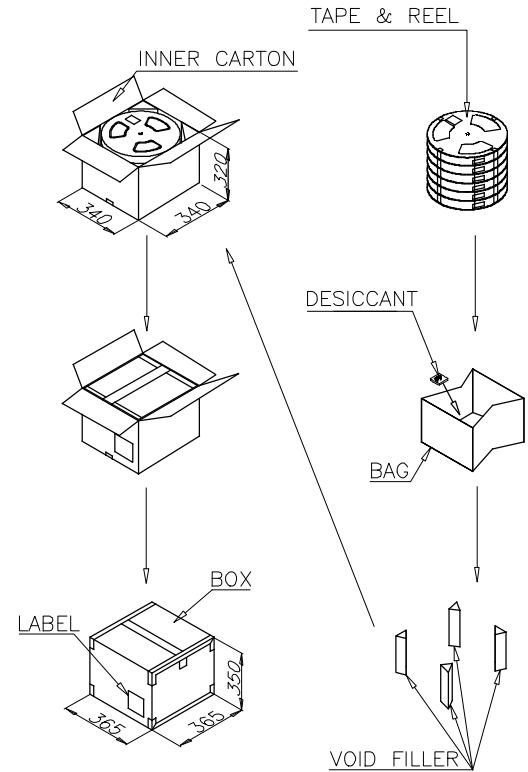
RECOMMENDED P.C.BOARD PATTERN LAYOUT

| | | | | | | | | | |
|--------------------|----------------|---------------------------------------|-----|--------------------------|--|------------|--|--|--|
| mat'l. code | | surface | | tolerance ASME Y14.5 | | projection | | product family | |
| ltr ecn no dr date | | tolerances unless otherwise specified | | angles | | MM | | title | |
| A | | TAI 2012-12-21 | | X.X ± 0.30 | | ← → | | 0.80MM PITCH MINI PCI EXPRESS HIGH=4.0mm 52 PIN CONNECTOR | |
| | | | | X'.XX ± 0.20 | | scale | | dwg no sheet 1 of 3 size | |
| | | | | X'.XXX ± 0.15 | | | | 10123824 A4 | |
| | | dr KENNY TAI 2012-12-21 | | enr KENNY TAI 2012-12-21 | | FCI | | type CUSTOMER Drawing | |
| | | chr KENNY TAI 2012-12-21 | | appd PM ZHENG 2013-01-03 | | | | | |
| sheet index | revision sheet | A 1 | A 2 | A 3 | | | | | |



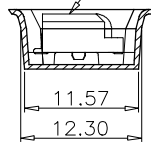
NOTES:

- MATERIAL:
 BOX: FIBREBOARD, CORRUGATED, DOUBLE WALL.
 COVER TAPE: PET, 120C° HEAT-RESISTANT TEMPERATURE, TRANSPARENT COLOR.
 CARRIER TAPE: POLYSTYRENES, 120C° HEAT-RESISTANT TEMPERATURE, TRANSPARENT COLOR.
 REEL: HIPS, 70C° HEAT-RESISTANT TEMPERATURE, BLUE COLOR.
 BAG: POLYETHYLENES, 100C° HEAT-RESISTANT TEMPERATURE, TRANSPARENT COLOR.
- EACH BAG SHALL BE INCLUDED DESICCANT.
- PEELING STRENGTH: 0.1 ~ 1.3 N (10 ~ 130 GRAMS).
- PEELING SPEED: 300 mm/min.



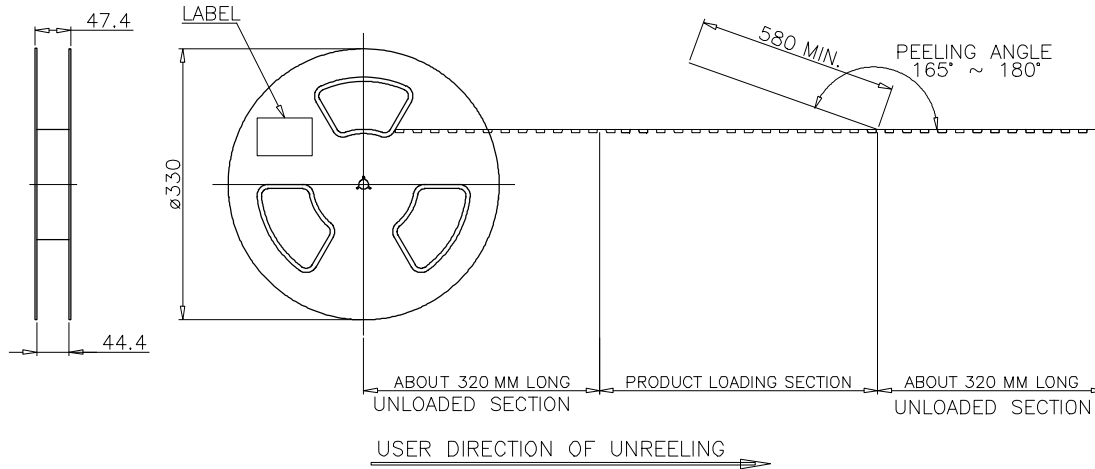
STANDARD TAPE & REEL
(FOR -XXOLF)

10123824-XXXLF



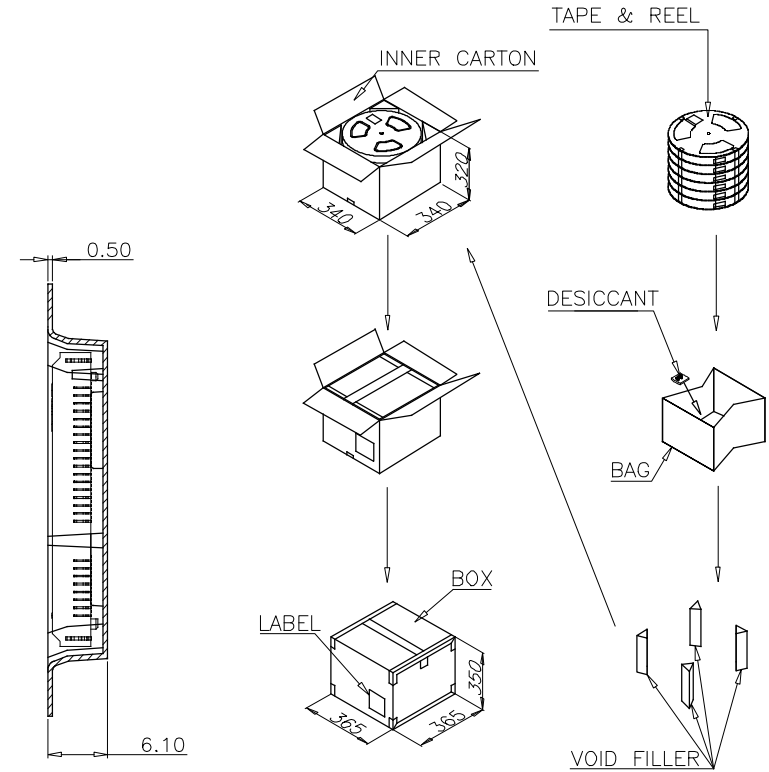
| | | | | |
|--------------|------------|-----------|-----------|----------|
| 9.85KG | 4.61KG | 650 | 6 | 3900 |
| GROSS WEIGHT | NET WEIGHT | PCS/ REEL | REEL/ BOX | PCS/ BOX |

| | | | | | | | | | |
|-------------|----------------|---------|------------|---------------------------------------|--------------|------------|--|--|--|
| mat'l. code | | surface | | tolerance ASME Y14.5 | | projection | | product family | |
| ltr | ecn no | dr | date | tolerances unless otherwise specified | | MM | | title | |
| A | | TAI | 2012-12-21 | angles | X.X ± 0.30 | ← → | | 0.80MM PITCH MINI PCI EXPRESS HIGH=4.0mm 52 PIN CONNECTOR | |
| | | | | fil | X.XX ± 0.20 | scale | | dwg no | |
| | | | | X*±4° | X.XXX ± 0.15 | | | sheet 2 of 3 size | |
| | | | | dr | KENNY TAI | | | A4 | |
| | | | | enr | KENNY TAI | | | 10123824 | |
| | | | | chr | KENNY TAI | | | CUSTOMER Drawing | |
| | | | | appd | PM ZHENG | | | type | |
| | | | | | | | | | |
| sheet index | revision sheet | A | A | A | | | | | |
| | | 1 | 2 | 3 | | | | | |

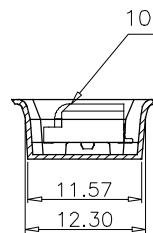


NOTES:

1. MATERIAL:
 BOX: FIBREBOARD, CORRUGATED, DOUBLE WALL.
 COVER TAPE: PET, 120C° HEAT-RESISTANT TEMPERATURE, TRANSPARENT COLOR.
 CARRIER TAPE: POLYSTYRENES, 120C° HEAT-RESISTANT TEMPERATURE, TRANSPARENT COLOR.
 REEL: HIPS, 70C° HEAT-RESISTANT TEMPERATURE, BLUE COLOR.
 BAG: POLYETHYLENES, 100C° HEAT-RESISTANT TEMPERATURE, TRANSPARENT COLOR.
2. EACH BAG SHALL BE INCLUDED DESICCANT.
3. PEELING STRENGTH: 0.1 ~ 1.3 N (10 ~ 130 GRAMS).
4. PEELING SPEED: 300 mm/min.



REVERSE TAPE & REEL
(FOR -XX1LF)



| | | | | |
|--------------|------------|-----------|-----------|----------|
| 9.85KG | 4.61KG | 650 | 6 | 3900 |
| GROSS WEIGHT | NET WEIGHT | PCS/ REEL | REEL/ BOX | PCS/ BOX |

| | | | | | | | | | |
|-------------|--------|----------------|------------|--|--------------|------------|--|-------------------------------|--|
| mat'l. code | | surface | | tolerance <input checked="" type="checkbox"/> ASME Y14.5 | | projection | | product family | |
| ltr | ecn no | dr | date | tolerances unless otherwise specified | | MM | | title | |
| A | | TAI | 2012-12-21 | angles | X.X ± 0.30 | ← → | | 0.80MM PITCH MINI PCI EXPRESS | |
| | | | | flat | X.XX ± 0.20 | scale | | HIGH=4.0mm 52 PIN CONNECTOR | |
| | | | | X*±4° | X.XXX ± 0.15 | | | dwg no | |
| | | dr | KENNY TAI | 2012-12-21 | | | | sheet 3 of 3 | |
| | | enr | KENNY TAI | 2012-12-21 | | | | size | |
| | | chr | KENNY TAI | 2012-12-21 | | | | A4 | |
| | | appd | PM ZHENG | 2013-01-03 | | | | type | |
| sheet index | | revision sheet | | A | A | A | | CUSTOMER Drawing | |
| | | 1 | 2 | 3 | | | | | |