

A

B

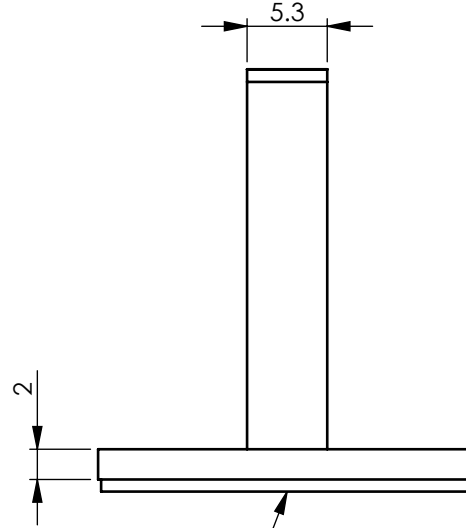
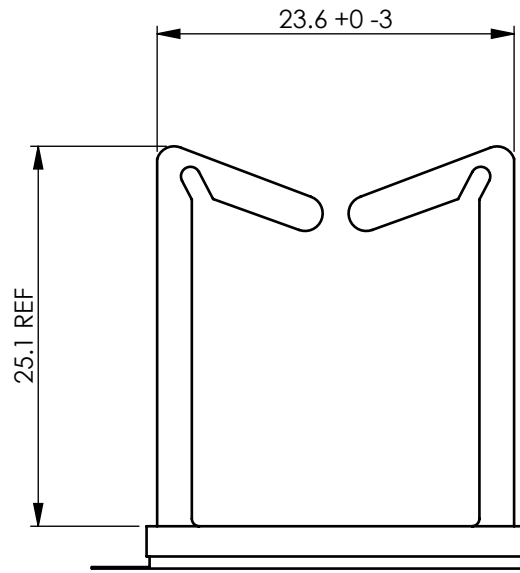
C

D

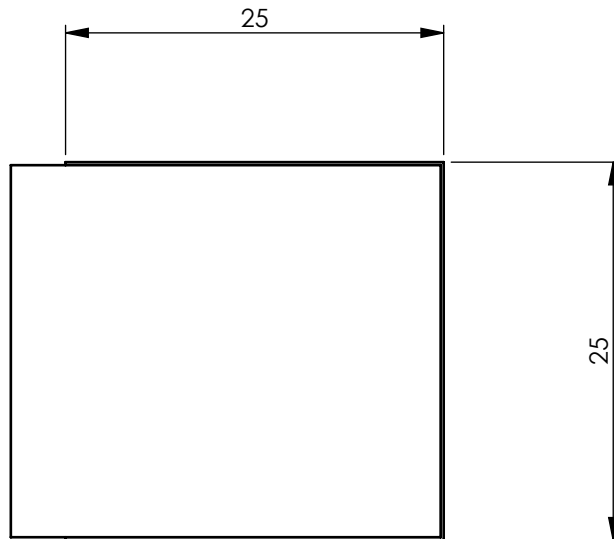
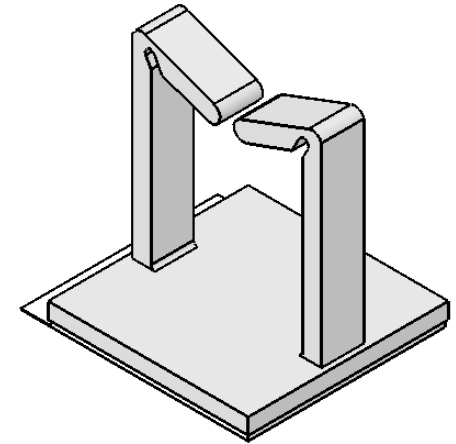
E

F

REV.	MODIFICATION.	DATE	DRN
01	PRODUCTION RELEASE	09/03/06	TC
02	ECN2006-065	27/03/06	OW
03	ECN2006-113	28/06/06	TC
04	ECN2006-118	10/07/06	TC
05	ECN2007-222	06/12/07	NJB



DOUBLE SIDED ADHESIVE  
TAPE WITH RELEASE TAB

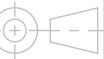


INFORMATION CONTAINED IN THIS DOCUMENT IS CONFIDENTIAL TO RICHCO INTERNATIONAL Co. Ltd. AND MAY NOT BE DISCLOSED OR REPRODUCED IN WHOLE OR PART WITHOUT THEIR WRITTEN CONSENT.



ALL DIMENSIONS IN mm  
GENERAL TOLERANCES  $\pm 0.25$   
UNLESS OTHERWISE STATED  
1 DECIMAL PLACE  $\pm 0.25$   
2 DECIMAL PLACES  $\pm 0.10$   
ANGULAR  $\pm 1^\circ$

THIRD  
ANGLE



MATERIAL: NYLON 6/6 (RMS-148) & DOUBLE SIDED ADHESIVE (RMS-324) COLOR: NATURAL

DESCRIPTION: WIRE SADDLE BASE WITH ADHESIVE PART No: WWSB-3-148A-RT

DRG No: 06-025 NPR No: 2005-478 Mass:(g) 2.2 SHEET SIZE A4

DRN DATE CHKD DATE SCALE SHEET No.  
OW 01/12/05 TC 09/03/06 NTS 1 OF 1

A

B

C

D

E

F

FORM No. 0178/00