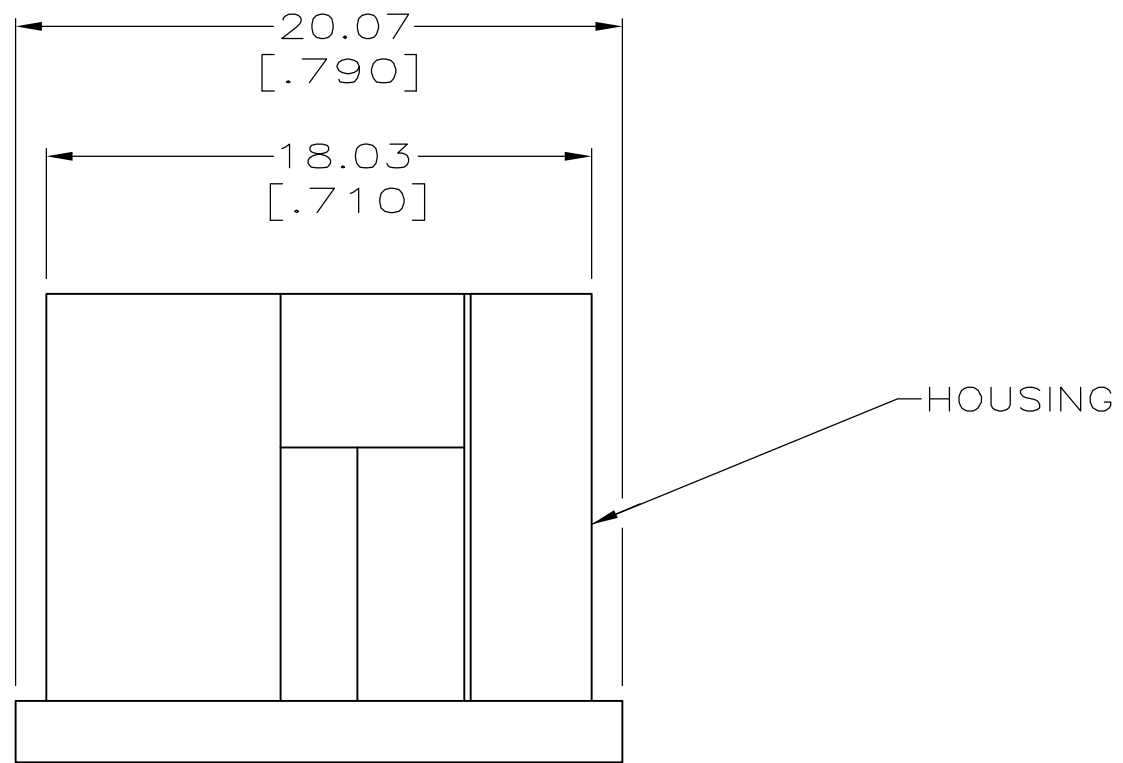
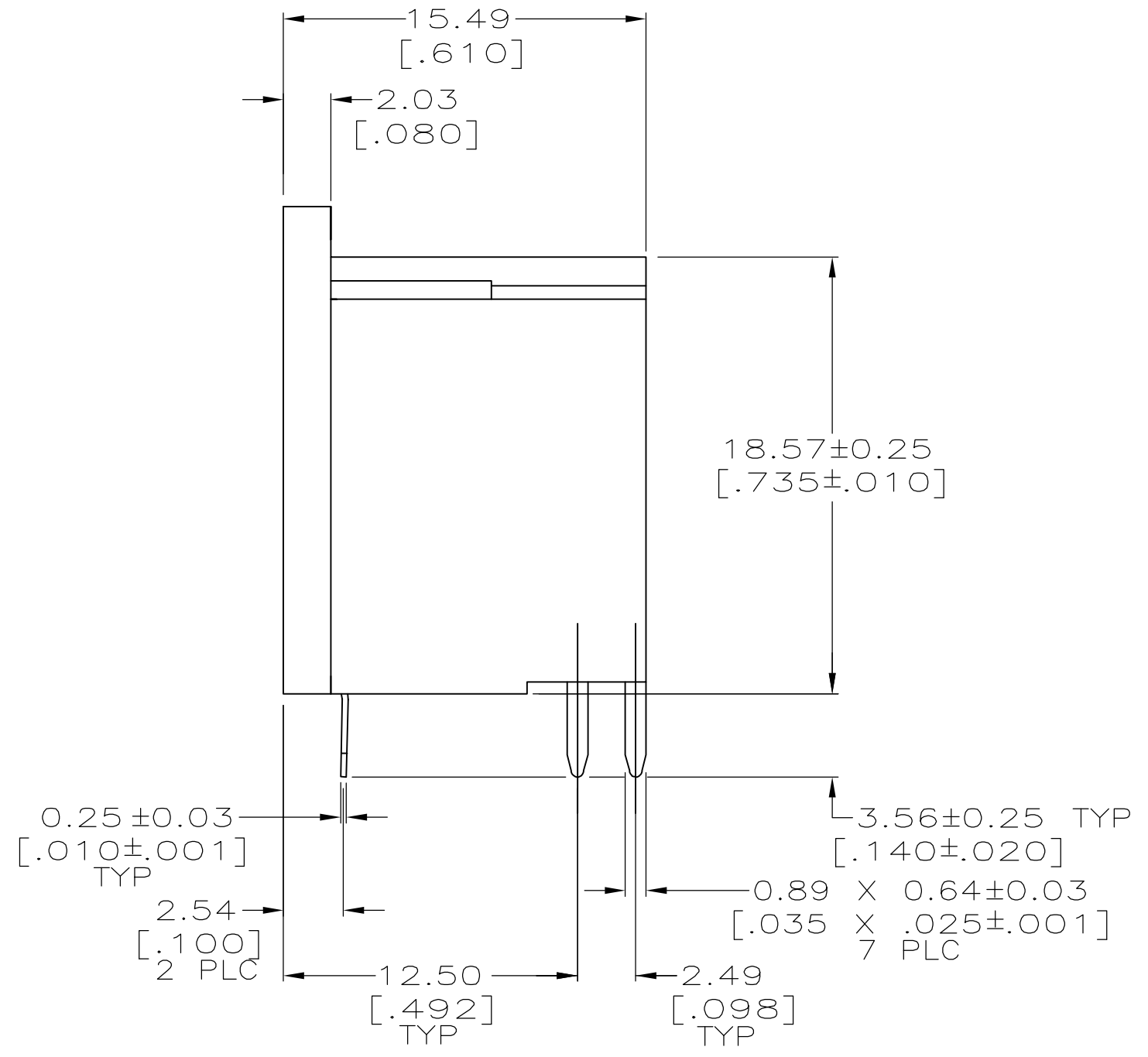
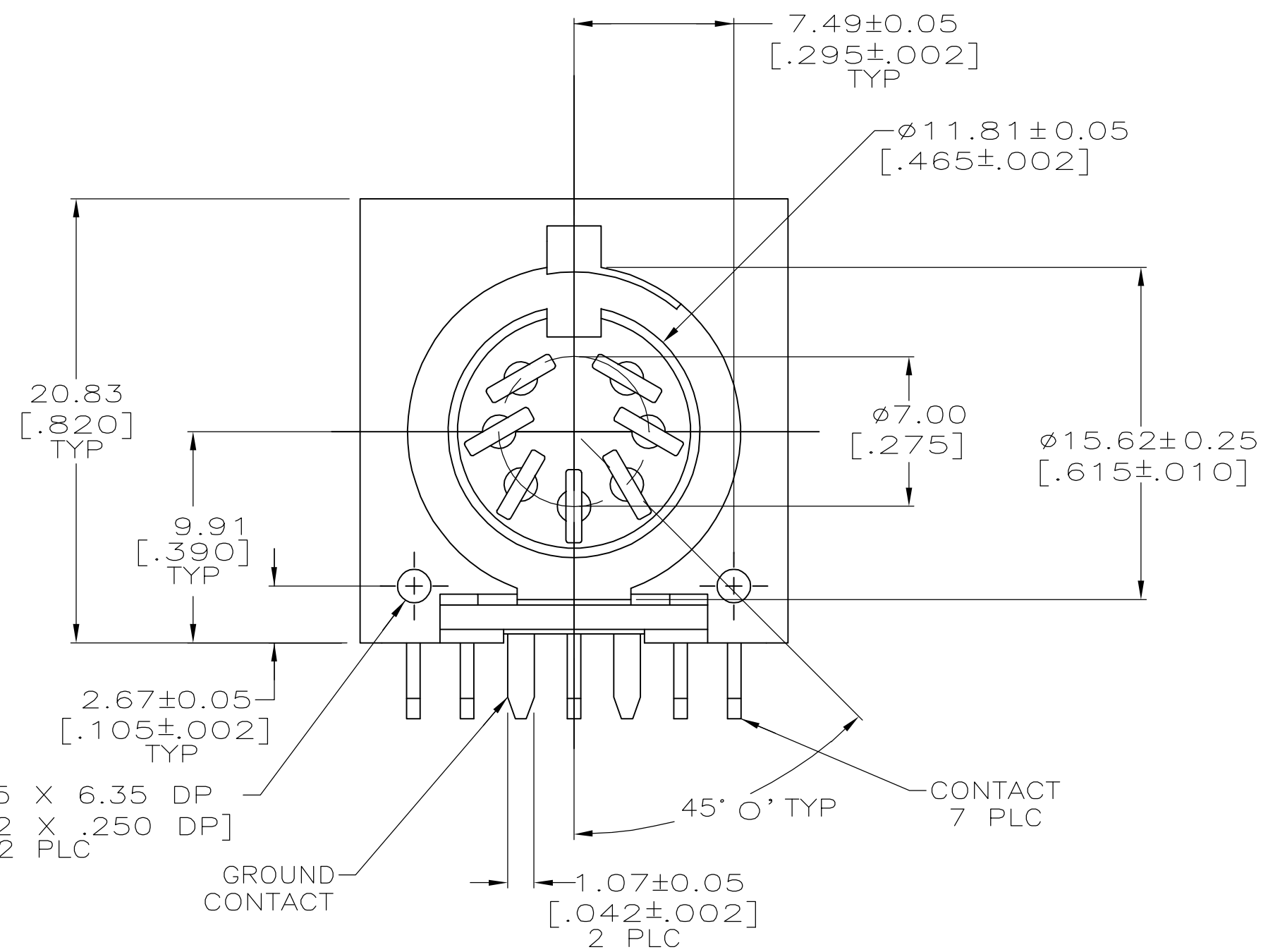


THIS DRAWING IS UNPUBLISHED. RELEASED FOR PUBLICATION
 © COPYRIGHT BY TYCO ELECTRONICS CORPORATION. ALL RIGHTS RESERVED.

LOC		DIST		REVISIONS			
P	LTR	DESCRIPTION	DATE	DWN	APVD		
GP	00						
01		REVISED PER ECO-07-008008	10APR07	JDP	CWR		



- ① HOUSING: NYLON, UL 94V-0 RATED, BLACK.
- ② CONTACTS & GROUND CONTACT: 2.54μm [.000100] MIN TIN OVER 1.27μm [.000050] MIN NICKEL.
- ③ ACCEPTS #2 SELF-TAPPING SCREW, .250 LONG REF.
- ④ CONTACT AND GROUND CONTACT: BRASS.



③ $\varnothing 1.60 \pm 0.05$ X 6.35 DP
 $[\ .063 \pm .002]$ X .250 DP
 2 PLC

5211510-1
 PART NUMBER

THIS DRAWING IS A CONTROLLED DOCUMENT.		DWN L. VARELA - DOCK5 11-11-04	Tyco Electronics Corporation Harrisburg, PA 17105-3608	
DIMENSIONS: mm [INCHES]		CHK C.ROHDE 11-11-04	NAME RECEPTACLE ASSY, RIGHT ANGLE, 7 POSITION, CIRCULAR DIN	
TOLERANCES UNLESS OTHERWISE SPECIFIED:		APVD M. WALMSLEY 11-11-04	SIZE A2 CAGE CODE 00779 DRAWING NO C=5211510 RESTRICTED TO -	
0 PLC ± - 1 PLC ± - 2 PLC ± 0.13 [.005] 3 PLC ± - 4 PLC ± - ANGLES ± 0° 30'		PRODUCT SPEC 108-10047	SCALE 4:1 SHEET 1 of 1 REV 01	
MATERIAL ①④ FINISH ②		APPLICATION SPEC 114-40025	CUSTOMER DRAWING	