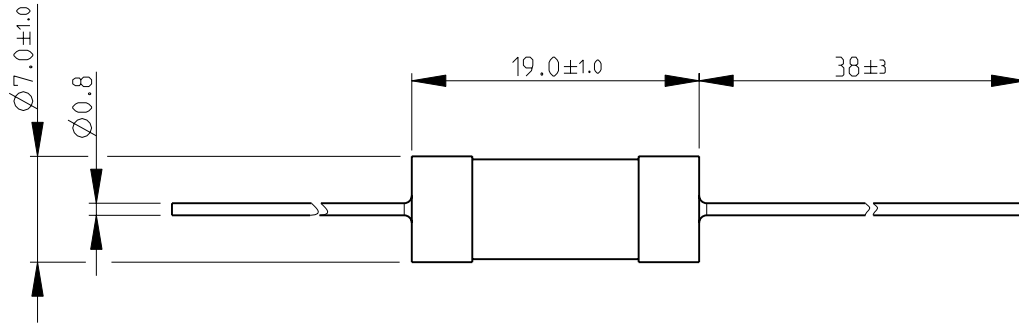
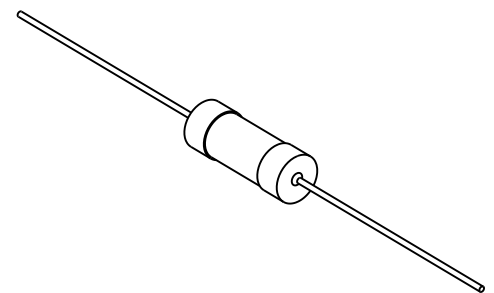


LOC	DIST	REVISIONS					
E	B	P	LTR	DESCRIPTION	DATE	DWN	APVD
			BA1	REVISED PER ECO-11-005150	29MAR2011	RK	HMR

FOR FURTHER INFORMATION SEE DATA SHEET FOR CCR SERIES-CERAMIC COMPOSITION RESISTORS



RoHS Compliant



SCALE 1:1


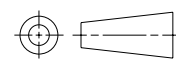
2008

RELEASED FOR PUBLICATION

ALL RIGHTS RESERVED.

THIS DRAWING IS UNPUBLISHED.

© COPYRIGHT 2008

DIMENSIONS:		DWN	19-Sep-08	MATERIAL	-	FINISH	-
mm		SUBHASH.M		 TE Connectivity			
TOLERANCES UNLESS OTHERWISE SPECIFIED:		CHK	19-Sep-08				
0 PLC ± 0.2		PRAKASH.S					
1 PLC ± 0.1		APVD	19-Sep-08				
2 PLC \pm		STEPHEN.P		NAME CERAMIC COMPOSITION RESISTORS			
3 PLC \pm		PRODUCT SPEC	-	SERIES CCR2			
4 PLC \pm		APPLICATION SPEC	-	SIZE	CAGE CODE	DRAWING NO	RESTRICTED TO
ANGLES $\pm 5^\circ$		-	-	A 4	00779	C-1623720	-
		WEIGHT	-	CUSTOMER DRAWING			
				SCALE	2:1	SHEET	1 OF 1
				REV BA1			