

DETAILS

Product Number	CA12000_EMILY-O-WAS
Family	Emily
Type	Assembly
Color	clear
Diameter	26 mm
Height	14,8 mm
Style	round
Optic Material	PMMA
Holder Material	
Fastening	pin, tape
Status	production ready
ROHS Compliant	Yes
Date Updated	9/06/2016



OPTICAL PROPERTIES

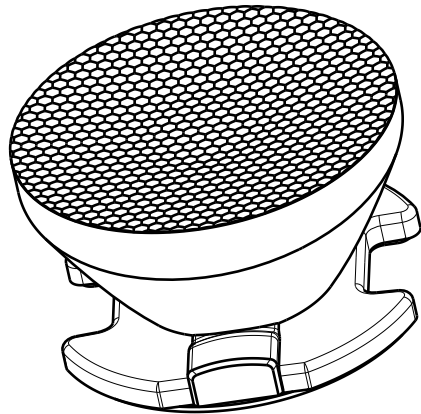
LED	Viewing Angle	Light Beam	Efficiency	cd/lm	Connector
XP-E	asymmetric deg	Asymmetric	87 %	-	-
XP-G	42+9 deg	Asymmetric	87 %	4.190	-
XP-L HI	asymmetric deg	Asymmetric	88 %	5.200	-
LUXEON Rebel ES	43+10 deg	Asymmetric	87 %	3.720	-
LUXEON Rebel	8+47 deg	Asymmetric	87 %	1.500	-
LUXEON A	43+10 deg	Asymmetric	87 %	3.760	-
LUXEON T	43+9 deg	Asymmetric	84 %	4.700	-
LUXEON H50-2	sim: Asymmetric	Asymmetric	sim: 90 %	sim: 5.300	-
LUXEON TX	asymmetric deg	Asymmetric	86 %	5.100	-
NVSxx19A	43+12 deg	Asymmetric	85 %	3.110	-
NVSxx19B/NVSxx19C	Asymmetric deg	Asymmetric	91 %	4.500	-
Oslon SSL 80	42+9 deg	Asymmetric	87 %	3.860	-
Oslon SSL 150	42+8 deg	Asymmetric	87 %	5.030	-
Oslon Square EC	sim: Asymmetric	Asymmetric	-	-	-
Z5M1/Z5M2	Asymmetric deg	Asymmetric	85 %	5.000	-

D

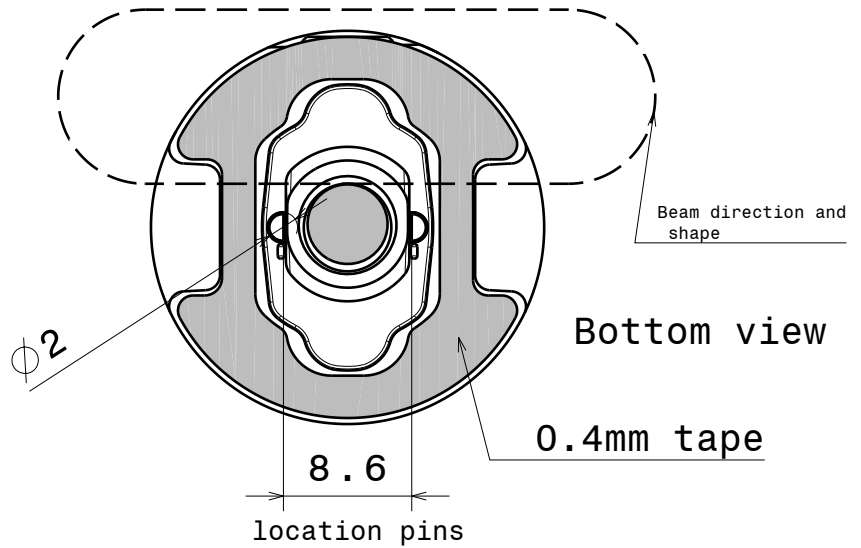
C

B

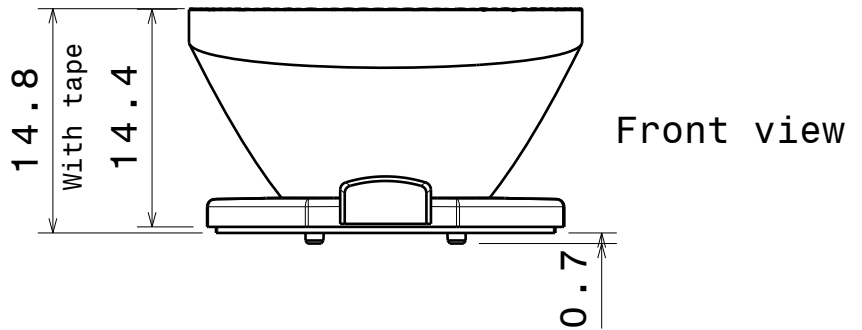
A



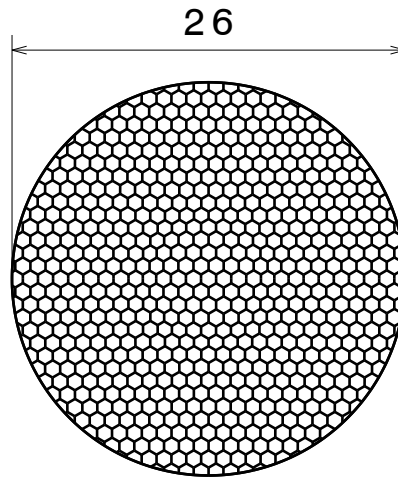
Isometric view



Bottom view



Front view



Top view

Part No.s:
 CA11998_EMILY-SS-WAS
 CA12000_EMILY-O-WAS
 CA12797_EMILY-O-WAS
 CA12799_EMILY-SS-WAS

Material: PMMA

This drawing is our property.
 It can't be reproduced
 or communicated without
 our written agreement.



Ledil Oy
 Salorankatu 10
 2420 Salo
 Finland

DRAWING TITLE

Datasheet Emily-was Assembly

DRAWN BY
ah

DATE
24.9.2013

CHECKED BY

DATE

SIZE
A4

DRAWING NUMBER

REV
1

DESIGNED BY
hh

DATE
25.01.2011

SCALE 2:1 WEIGHT (g)

SHEET 1/1

D

A

4

4

3

3

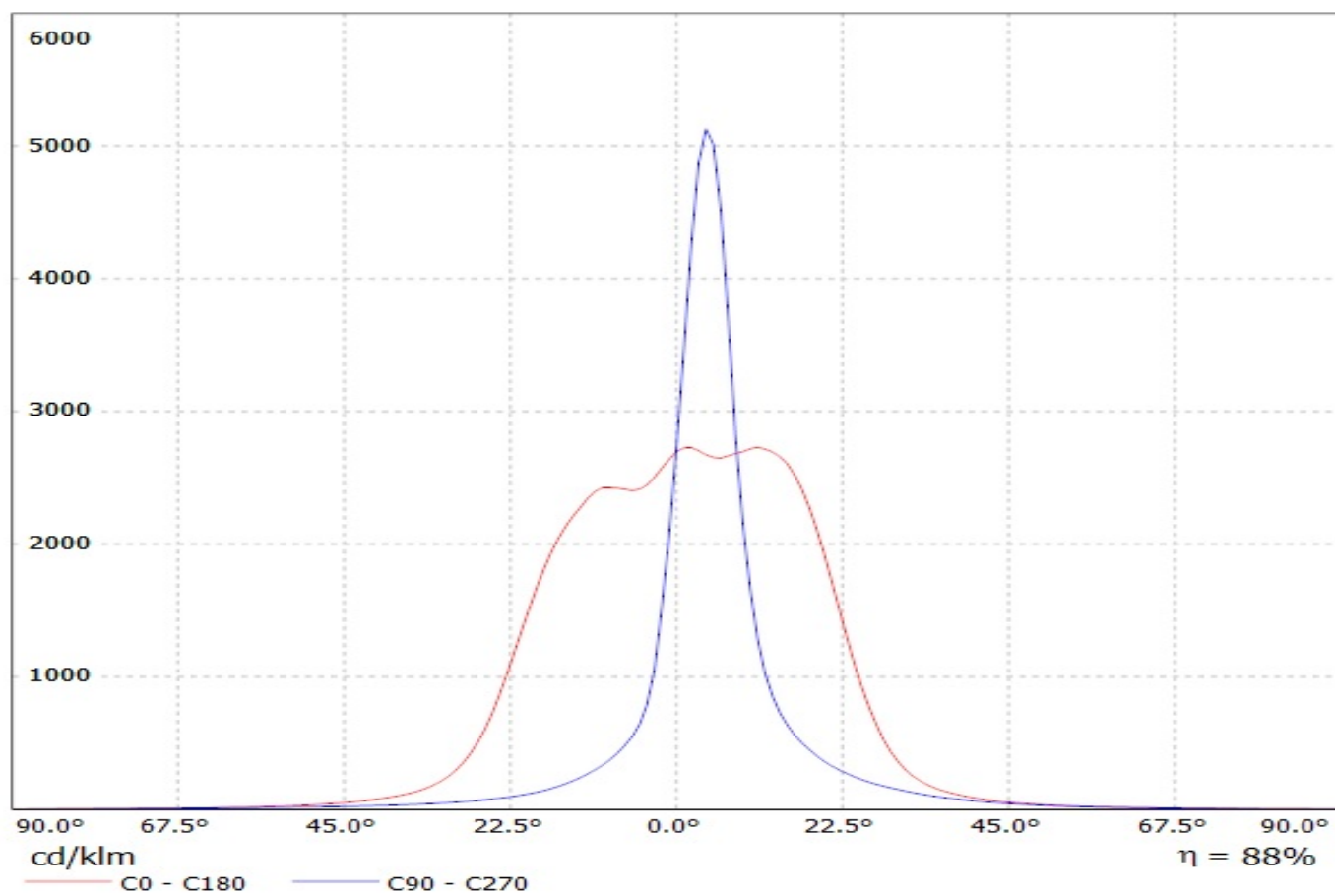
2

2

1

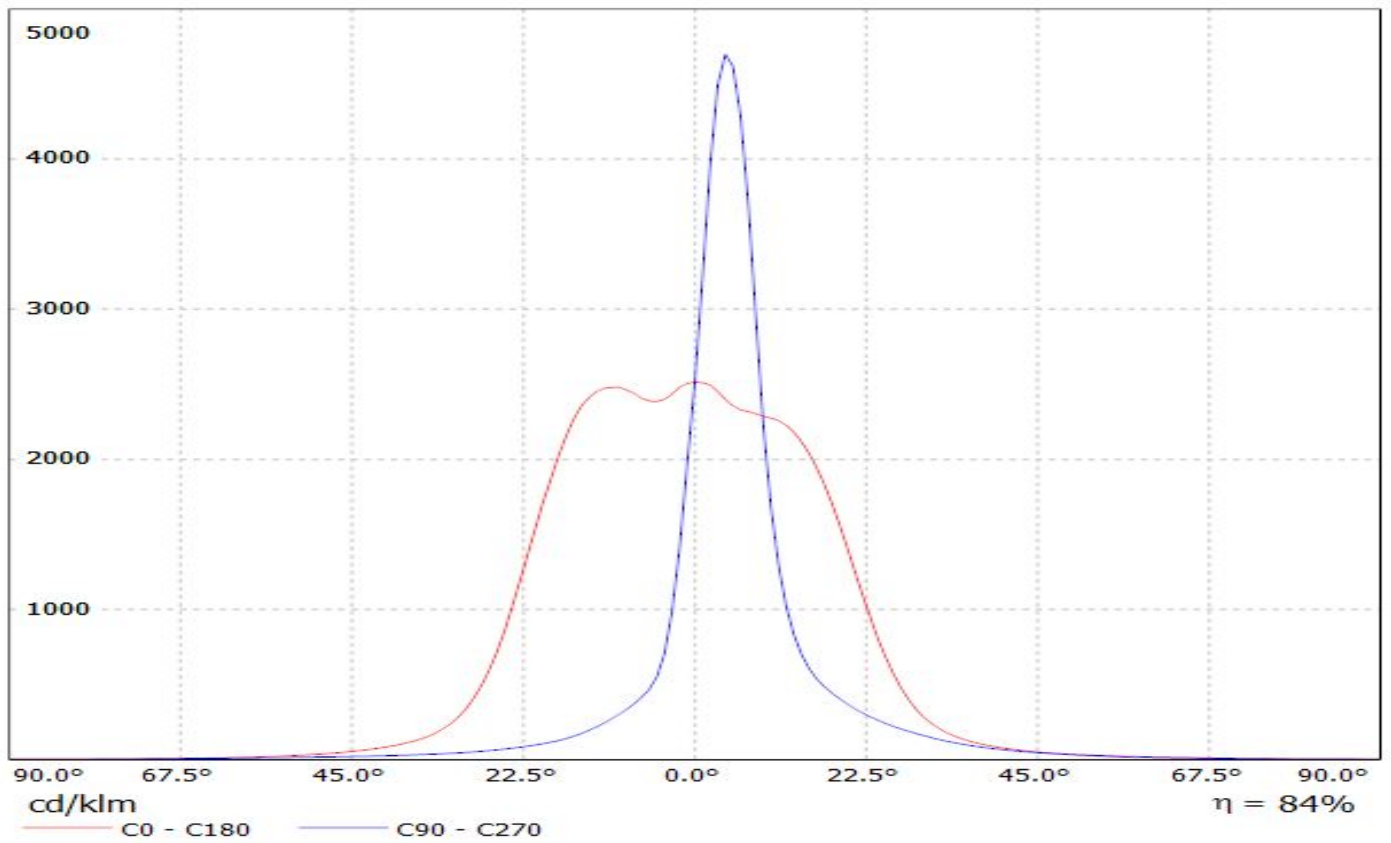
1

Luminaire: LEDiL Oy CA12000_EMILY-O-WAS_(XP-L_HI)
Lamps: 1 x Cree_XP-L_HI_114.406lm@250mA_P=0.745352W_I=0.2499A



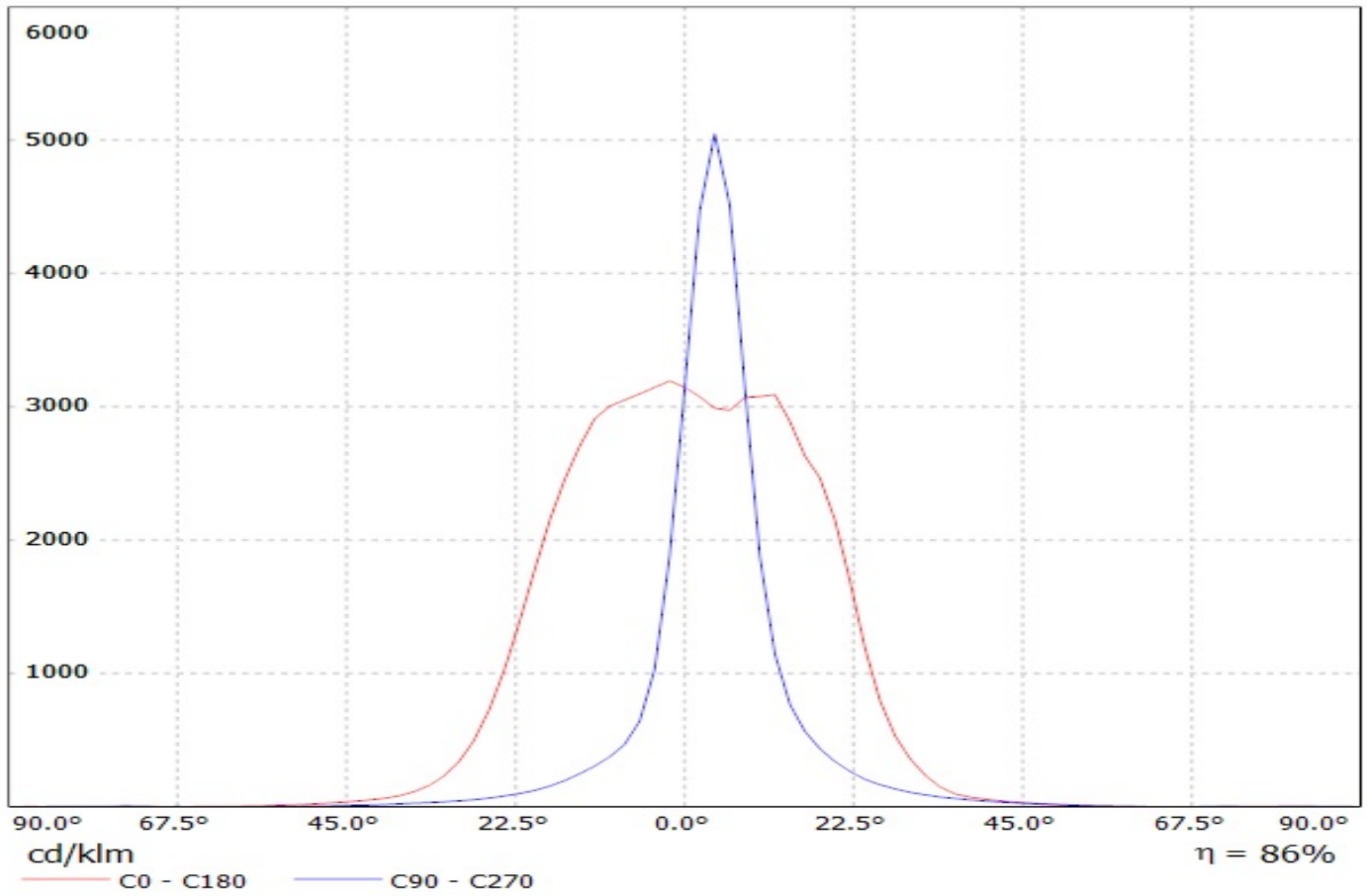
LEDiL Oy CA12000_EMILY-O-WAS_(LUXEON_T)_2 Eff.84.0% / LDC (Linear)

Luminaire: LEDiL Oy CA12000_EMILY-O-WAS_(LUXEON_T)_2 Eff.84.0%
Lamps: 1 x LUXEON T (74lm@250mA)

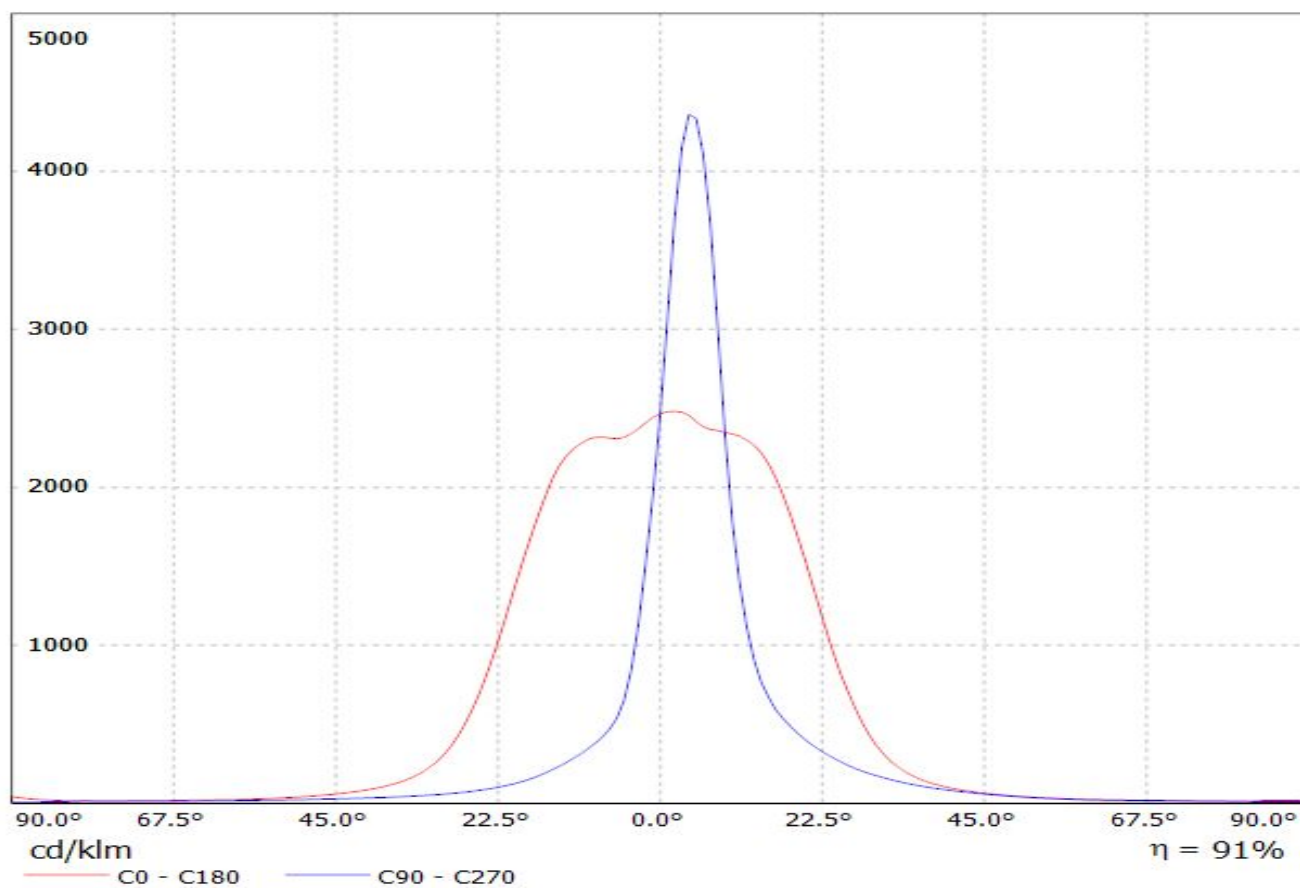


Luminaire: LEDil Oy CA12000_EMILY-O-WAS_(Luxeon_TX)

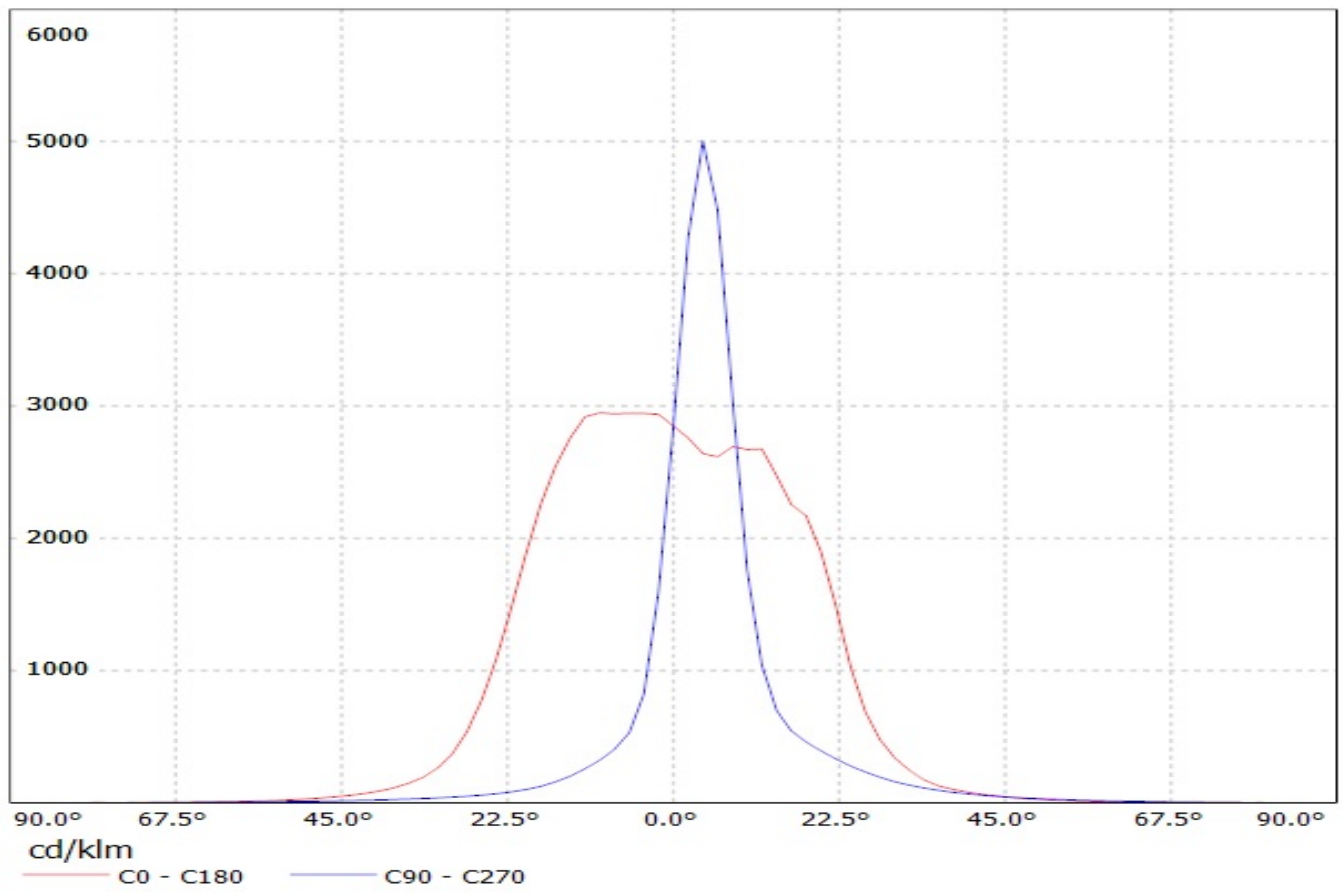
Lamps: 1 x Philips Lumileds Luxeon TX (L1T2-3585) 80.38lm @ 250mA CCT=3554K P=0.7W I=250mA



Luminaire: LEDiL Oy CA12000_EMILY-O-WAS_(NVSL219CE)
Lamps: 1 x Nichia_NVSL219CE_101.227lm@250mA_P=0.713404W_I=0.25A

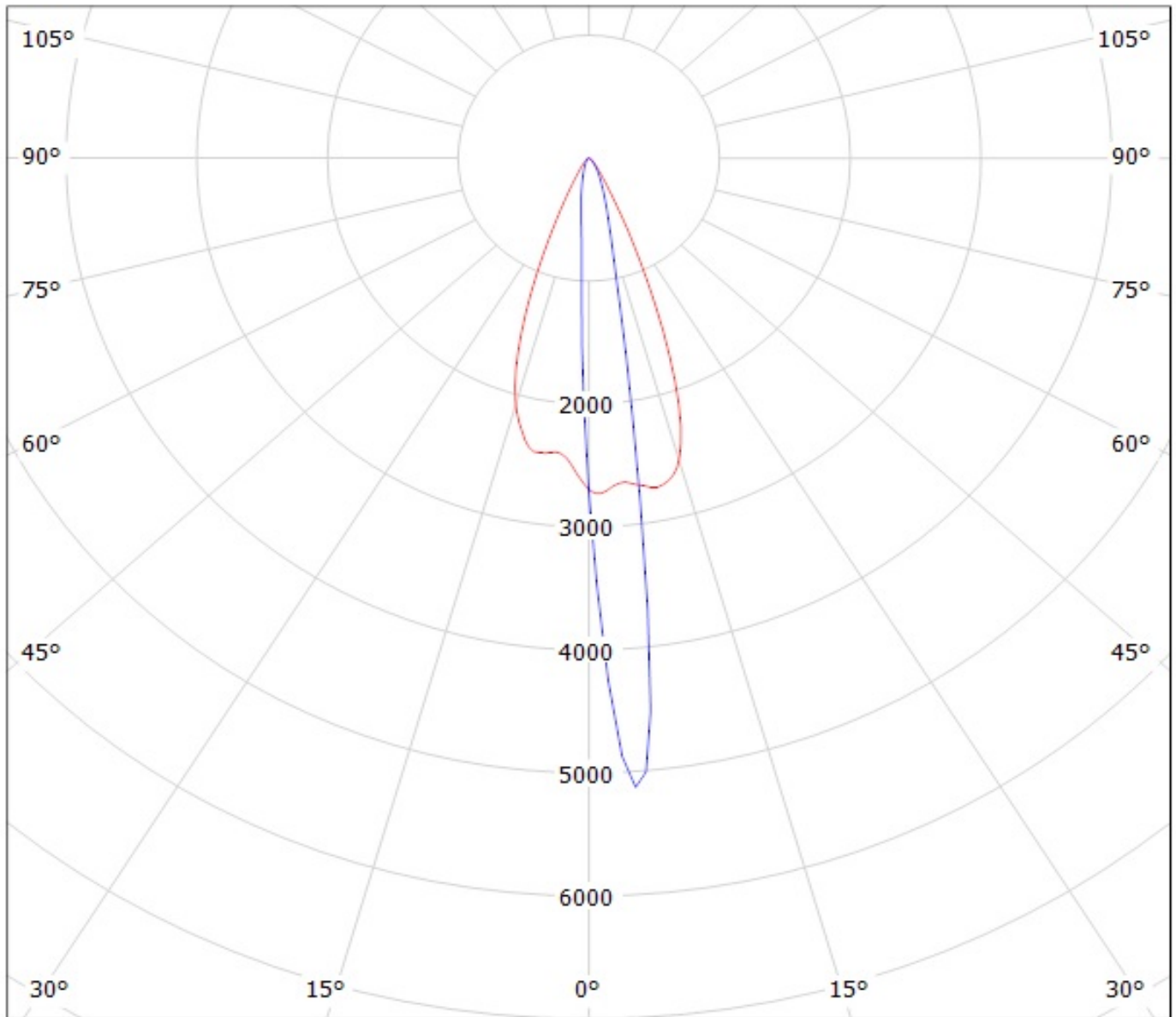


Luminaire: LEDil Oy CA12000_EMILY-O-WAS_(Z5M1) Efficiency=85%
Lamps: 1 x Seoul Z5M1 (SZ5M1-W0-C8/W1-A5-G) 108lm @ 250mA CCT=9100K P=0.8W I=250mA



Luminaire: LEDiL Oy CA12000_EMILY-O-WAS_(XP-L_HI)

Lamps: 1 x Cree_XP-L_HI_114.406lm@250mA_P=0.745352W_I=0.2499A



cd/klm

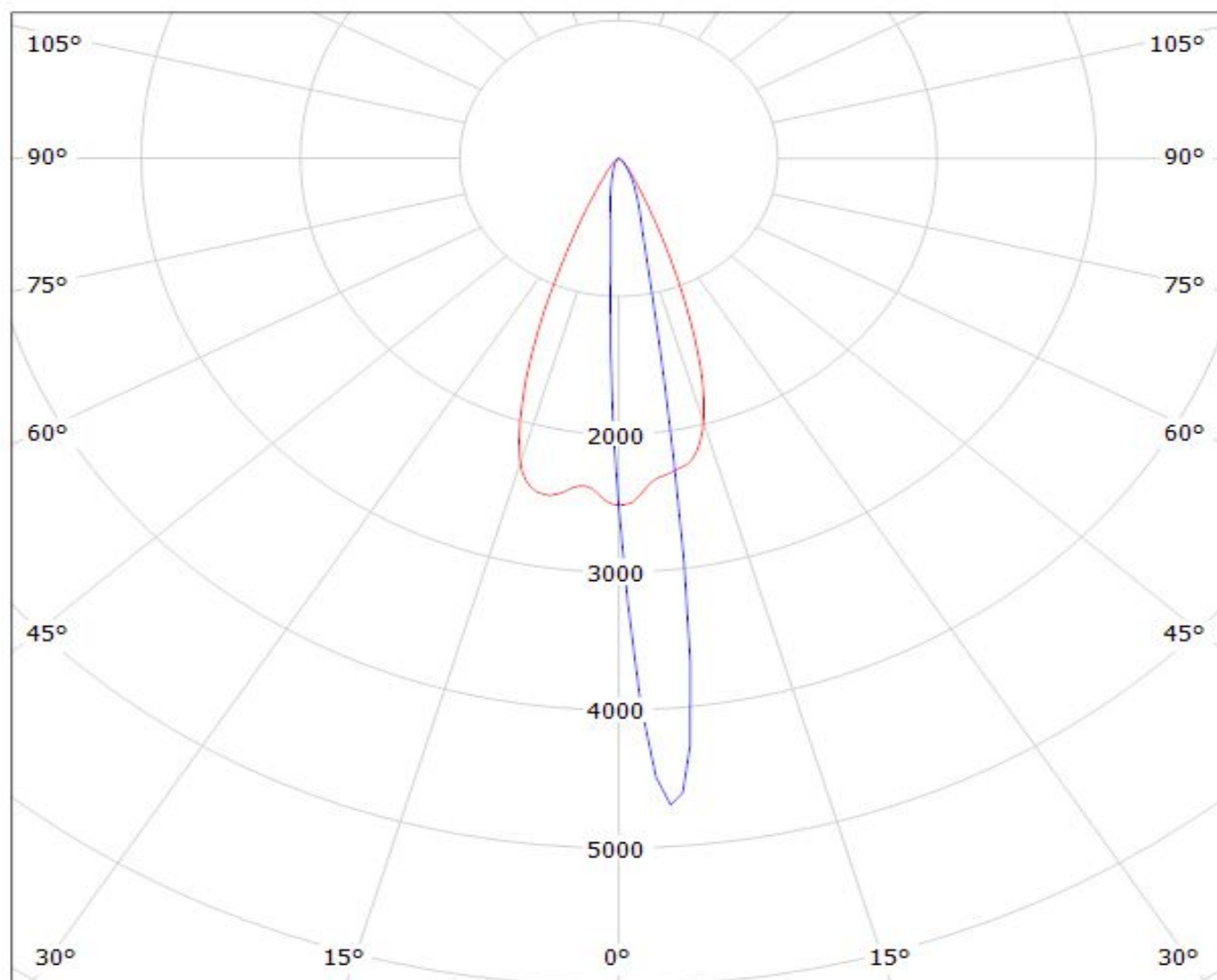
— C0 - C180

— C90 - C270

$\eta = 88\%$

LEDiL Oy CA12000_EMILY-O-WAS_(LUXEON_T)_2 Eff.84.0% / LDC (Polar)

Luminaire: LEDiL Oy CA12000_EMILY-O-WAS_(LUXEON_T)_2 Eff.84.0%
Lamps: 1 x LUXEON T (74lm@250mA)



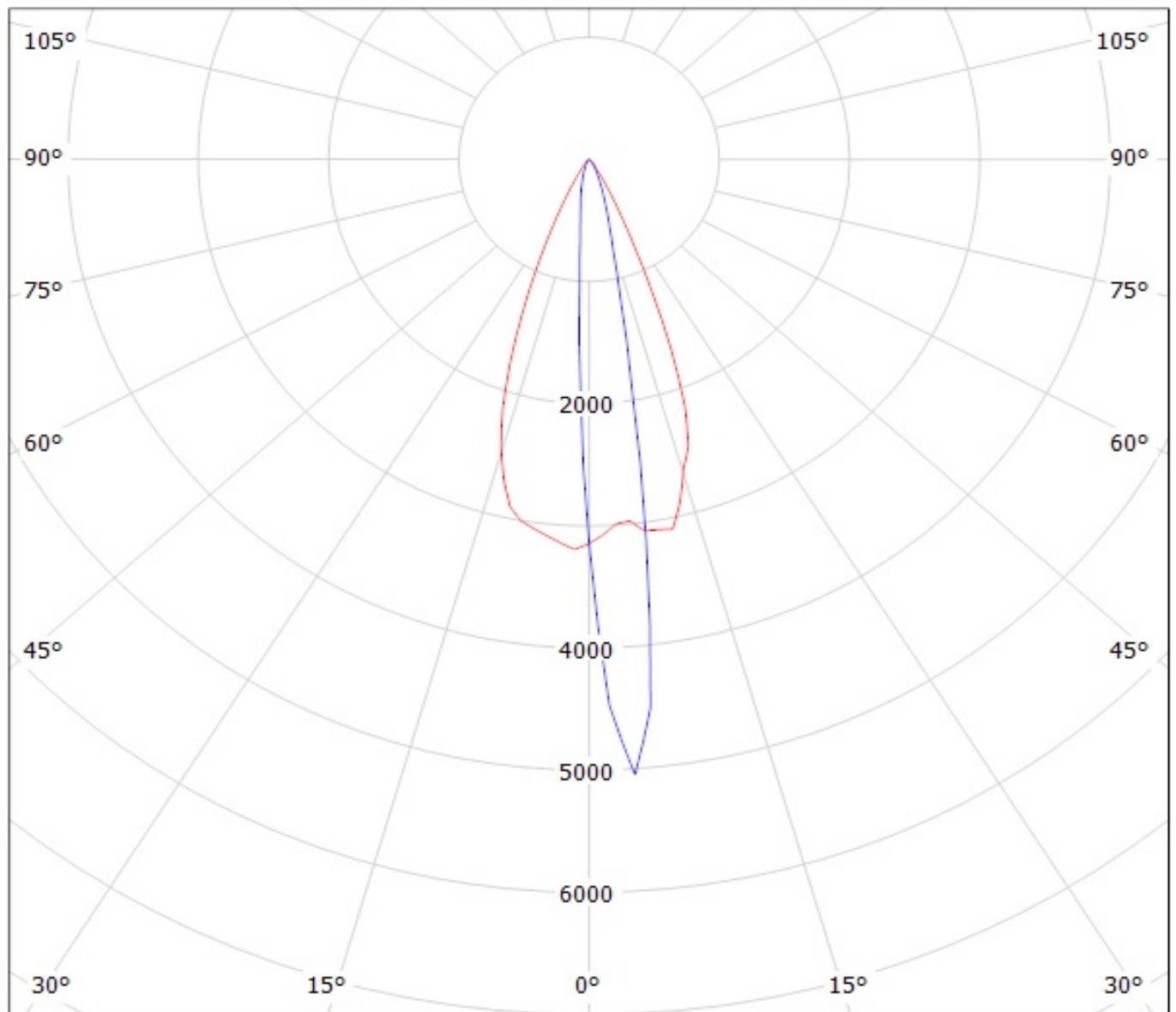
cd/klm

$\eta = 84\%$

— C0 - C180 — C90 - C270

Luminaire: LEDil Oy CA12000_EMILY-O-WAS_(Luxeon_TX)

Lamps: 1 x Philips Lumileds Luxeon TX (L1T2-3585) 80.38lm @ 250mA CCT=3554K P=0.7W I=250mA



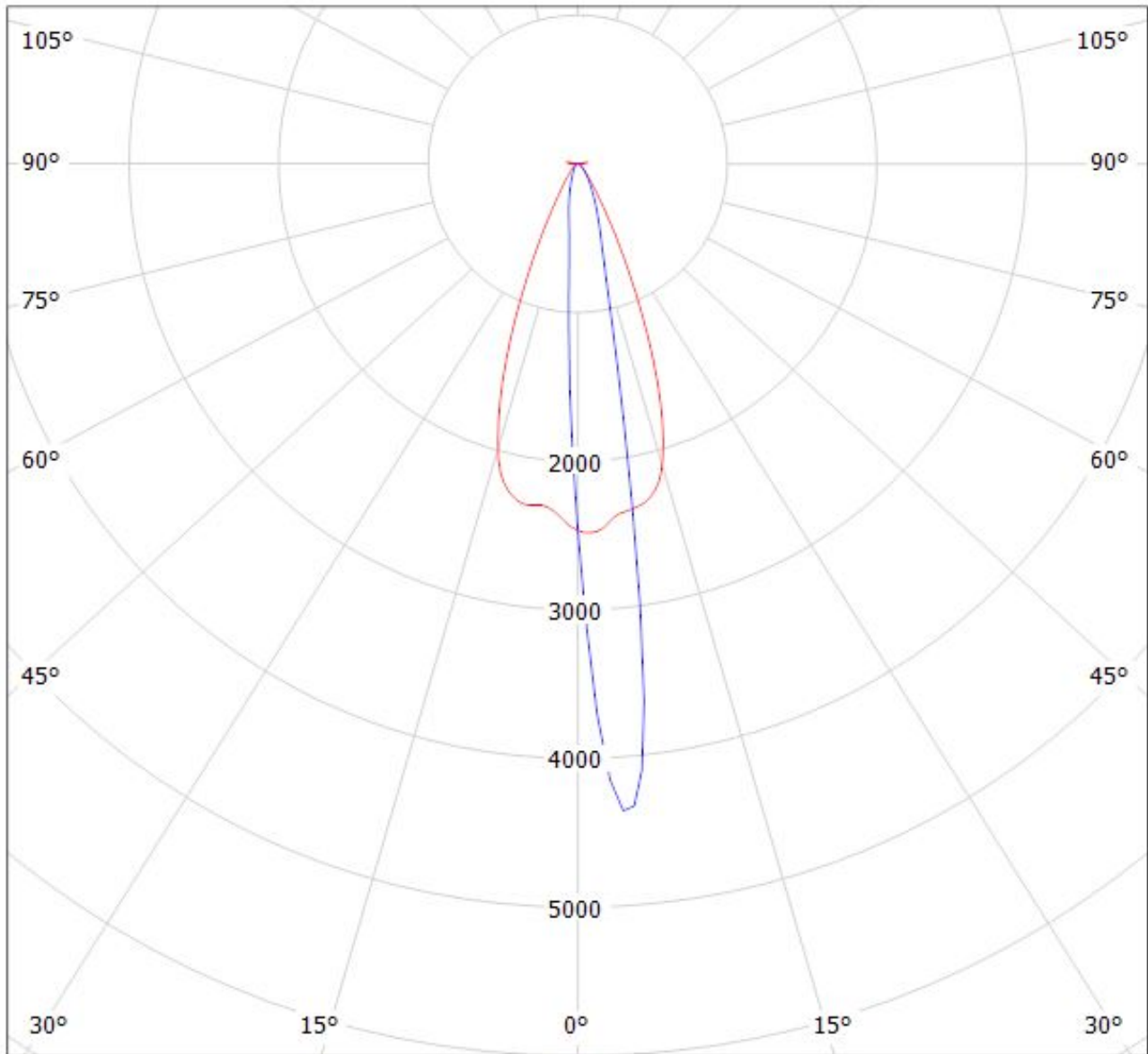
cd/klm

— C0 - C180

— C90 - C270

$\eta = 86\%$

Luminaire: LEDiL Oy CA12000_EMILY-O-WAS_(NVSL219CE)
Lamps: 1 x Nichia_NVSL219CE_101.227lm@250mA_P=0.713404W_I=0.25A

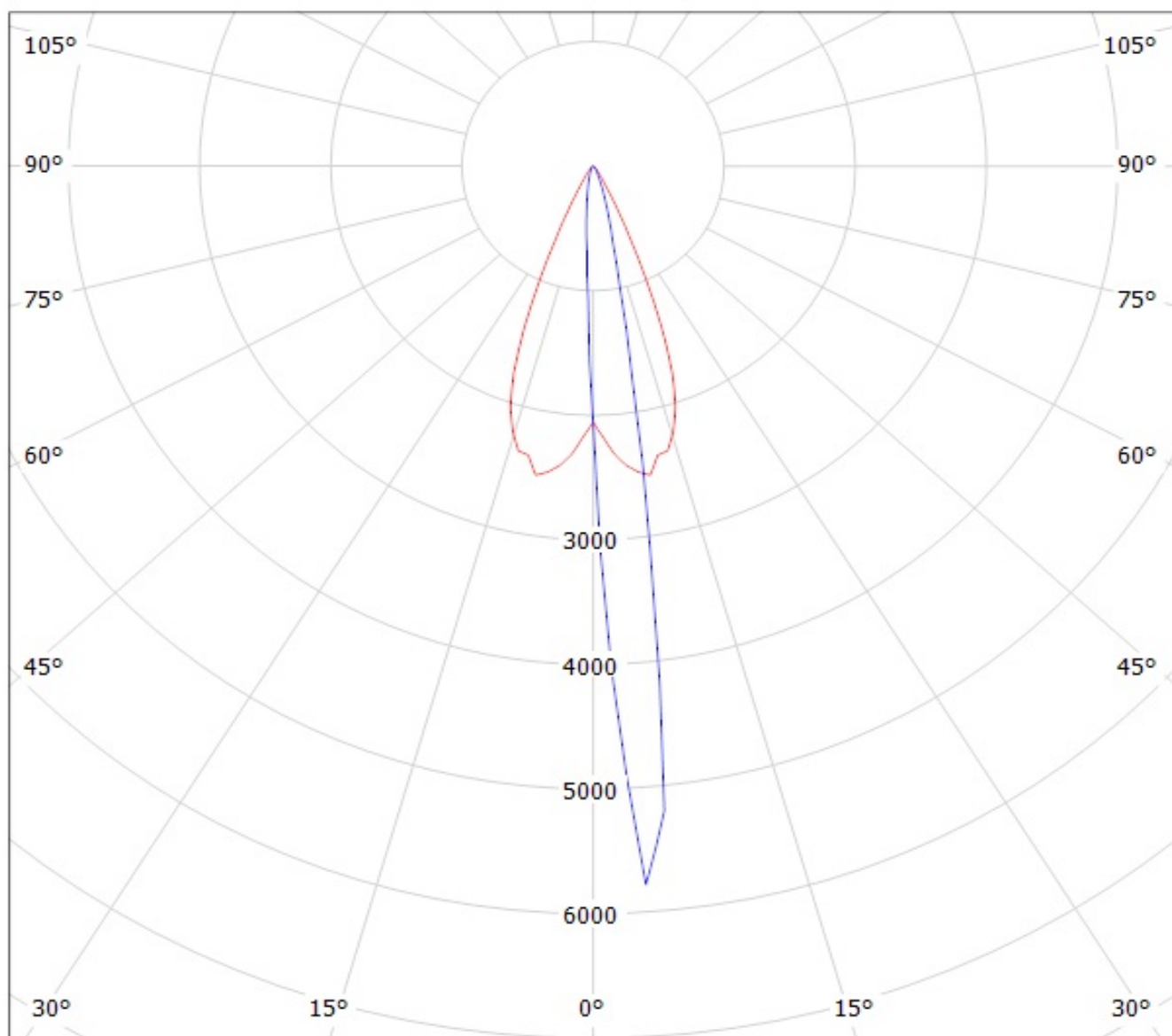


cd/klm

$\eta = 91\%$

— C0 - C180 — C90 - C270

Luminaire: Ledil Oy CA12000_EMILY-O-WAS (Oslon 150□□) Efficiency=84%
Lamps: 1 x Osram Oslon 150□□ white (95lm @ 250mA)

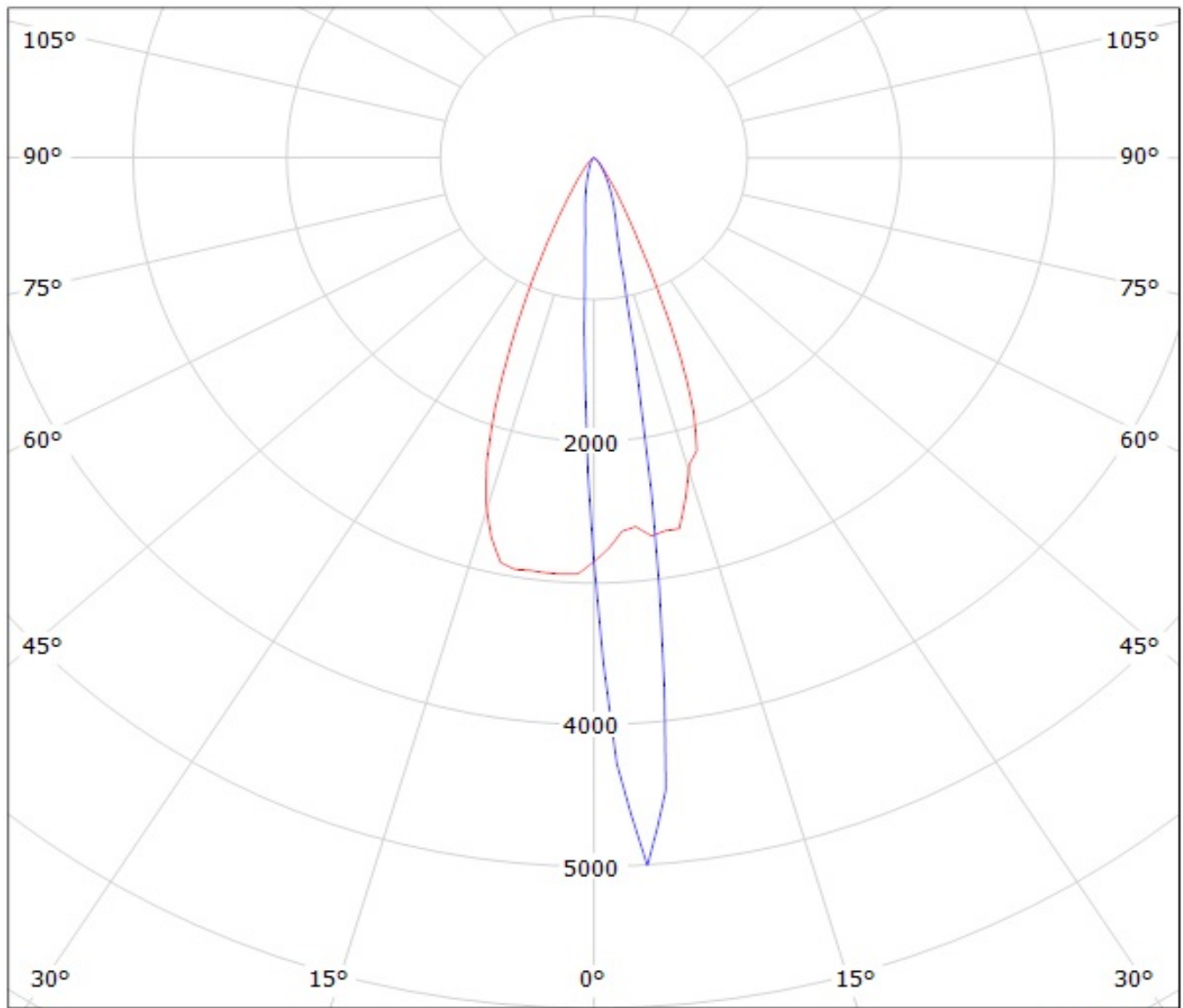


cd/klm

— C0 - C180 — C90 - C270

Luminaire: LEDil Oy CA12000_EMILY-O-WAS_(Z5M1) Efficiency=85%

Lamps: 1 x Seoul Z5M1 (SZ5M1-W0-C8/W1-A5-G) 108lm @ 250mA CCT=9100K P=0.8W I=250mA



cd/klm

— C0 - C180

— C90 - C270

$\eta = 86\%$

NOTE: The typical divergence will be changed by different color, chip size and chip position tolerance. The typical total divergence is the full angle measured where the luminous intensity is half of the peak value.