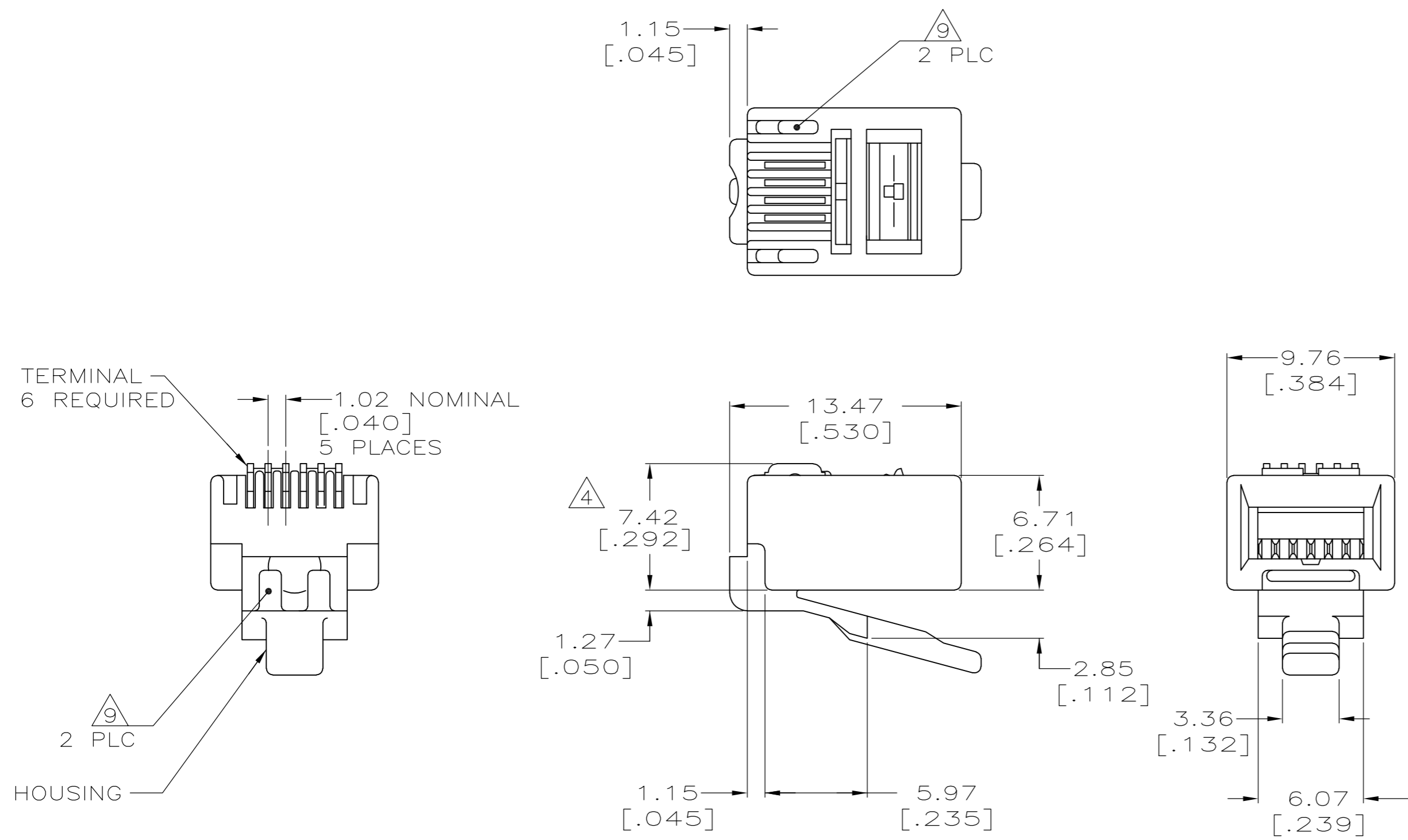


THIS DRAWING IS UNPUBLISHED. RELEASED FOR PUBLICATION
 © COPYRIGHT - By - ALL RIGHTS RESERVED.

LOC	DIST	REVISIONS					
HM	00	P	LTR	DESCRIPTION	DATE	DWN	APVD
		S		REVISED PER ECO-12-012703	11JUL2012	GG	JG

- ① DIMENSIONS ARE MAXIMUM UNLESS OTHERWISE SPECIFIED.
- ② MATERIAL: HOUSING—POLYCARBONATE,CLEAR. TERMINAL—0.36[.014] THICK PHOSPHOR BRONZE PLATED WITH 1.27μm[.000050] THICK GOLD IN LOCALIZED GOLD PLATE AREA OVER 2.54μm[.000100] THICK NICKEL UNDERPLATE.
- ③ PLUG WILL ACCEPT 24 OR 26 AWG SOLID WIRE HAVING AN INSULATION DIAMETER RANGE OF 0.89–0.99[.035–.039] AND A MAXIMUM OVAL CABLE JACKET OF 2.29 X 6.61 [.09 X .260].
- ④ TERMINATED DIMENSION 6.15[.242] MAXIMUM.
- ⑥ 1000 ASSEMBLIES PER PACKAGE.
- ⑦ 100 ASSEMBLIES PER PACKAGE.
- ⑨ REELED PRODUCT ON STRIP DOES NOT HAVE VOID CORING ILLUSTRATED ON THIS DRAWING.



	⑦③	5-555042-3
	⑥③	5-555042-2
OBSOLETE	REELED ③⑨	555042-1
	PACKAGED	PART NO.

THIS DRAWING IS A CONTROLLED DOCUMENT.		DWN	L. HALL	12DEC2007		TE Connectivity			
DIMENSIONS: INCHES		CHK	B. MCNEILL	12DEC2007		NAME			
TOLERANCES UNLESS OTHERWISE SPECIFIED:		APVD	B. MCNEILL	12DEC2007		PRODUCT SPEC			
0 PLC ± - 1 PLC ± - 2 PLC ± - 3 PLC ± - 4 PLC ± - ANGLES ± - FINISH ± -		APPLICATION SPEC		108-1163		DRAWING NO		RESTRICTED TO	
MATERIAL -		WEIGHT -		SIZE A2		CAGE CODE 00779	DRAWING NO C=555042	REV S	
		CUSTOMER DRAWING		SCALE 4:1		SHEET 1 of 1			

555042