

Ha-VIS eCon 3000 Full Gigabit Ethernet Basic



English



2 to 7 Ethernet ports RJ45 and FOC

Unmanaged Plug & Play Ethernet switches for DIN rail assembly in control cabinets

Commercial temp.: 0°C ... +55°C / Industrial temp.: -40°C ... +70°C



- Full Gigabit Ethernet non-blocking switch architecture according to IEEE 802.3
- Support of jumbo frames (10 kB)
- Variants with industrial temperature range of -40°C ... +70°C
- Wide range power supply 24/48 VDC
- Surge protection and reverse polarity protection
- Minimum energy consumption due to energy-efficient Ethernet
- Optimised DIN rail bracket

Target markets

Machinery & Robotics	Automation	Industrial network infrastructures
Wind Energy, Solar Energy	Transportation	Shipbuilding



General Description

The Ha-VIS eCon 3000 Full Gigabit family of unmanaged Ethernet switches is equipped with up to 7 gigabit Ethernet ports and allows for cost-efficient and quick expansion and/or reconstruction of network infrastructures with high bandwidth requirements. In this, all switches support extra-long Ethernet frames (jumbo frames). The slender design of the switches enables an extremely high packing density on the DIN rail. The selection

includes various combinations of variants with RJ45 and fibre optic cables. Automatic detection of the transmission rate (auto-negotiation) and of the wiring of the twisted pair data cable (auto-polarity and auto-MDI(X)) allow for simple plug & play. All variants are available with the temperature ranges "Industrial" and "Commercial".

Specification

Switch Features

Housing width	25 mm
Number of ports	2, 5, 6, 7
Switching technology	Store and Forward
Supported standards	IEEE 802.3
Frame Size	10 kBytes
MAC table size	8k entries
Packet buffer size	1 Mbit
Non-blocking	Yes
Quality of Service	Yes
Energy Efficient Ethernet	Yes
PROFINET compatible	Yes
EthernetIP compatible	Yes

Power supply

Nominal voltage	24 VDC	48 VDC
Permissible voltage range	9 VDC ... 60 VDC	
Surge protection	Yes	
Reverse polarity proof	Yes	
Starting current	1.60 A	3.20 A
Overcurrent protection at input	Yes (10 A)	
Max. power consumption @ 24 VDC	See eCatalogue	
Conductor cross-section	0.08 mm ² ... 2.5 mm ² (28 AWG ... 12 AWG)	
Type of connection	3-pole, pluggable screwed contact	
Pinout	+ / - /	
Supply circuit (according to 60950)	SELV (circuit breaker 10 A)	

Ethernet ports 10BASE-T_e / 100BASE-TX EEE / 1000BASE-TX EEE

Type of connection	RJ45
Auto-negotiation	Yes
Auto-polarity	Yes
Auto-MDI(X)	Yes
Transfer conditions	Twisted pair
Transfer speed	10 / 100 / 1000 Mbit/s
Transfer length	100 m (Twisted Pair, Cat 5)

Ethernet ports 1000BASE-SX / 1000BASE-LX

Type of fibre	Multi-mode (MM)	Single-mode (SM)
Type of connection	SC Duplex	
Transfer conditions	FOC	
Wavelength	850 nm	1310 nm
Transfer speed	1000 Mbit/s	
Transfer length	0.55 km	10 km
Output power	-9.5 dBm ... -4 dBm	-9.5 dBm ... -3 dBm
Input sensitivity	≤ -17 dBm	≤ -21 dBm

SFP ports

Transfer standard	Depending on used SFP
Type of connection	Depending on used SFP, RJ45 or LC
Transfer conditions	Depending on used SFP, TP or FOC
Transfer speed	Depending on used SFP, 100 or 1000 Mbit/s
Transfer length	Depending on used SFP



HARTING Technologiegruppe
P.O.Box 1473, D-32325 Espelkamp
Wilhelm-Harting-Straße 1, D-32325 Espelkamp, Germany

Service hotline: +49 5772 47-97100, Fax: +49 5772 47-495
Electric@HARTING.com, www.HARTING.com

Note: We reserve the right to make technical changes to the products and to the content of this document at any time without prior notification. The HARTING Technologiegruppe does not accept any responsibility for possible errors or incompleteness in this document. We reserve all the rights to this document and the topics and illustrations contained within it. Copying, disclosure to third parties or use of its content - even partially - is forbidden without the prior written consent of the HARTING Technologiegruppe.

Housing

Housing width	25 mm
Dimensions H x W x D (without pluggable screwed contact and holding bracket)	142 mm x 25 mm x 107.5 mm
Weight	See eCatalogue
Type of installation	35 mm DIN acc. to EN 60 715
Material hoods/housings	Anodised aluminium / powder-coated steel sheet
Protection class (with plugged screwed contact)	IP30
Protection class	III

Status and diagnostic displays

Power ("Pwr") ϕ illuminated green	Supply voltage is applied
Link/Activity ("L/A") off	No link
Link/Activity ("L/A") illuminated green	Link is active
Link/Activity ("L/A") flashes green	Link is active and data is transferred
Link speed ("Spd") off	10 Mbit/s
Link speed ("Spd") illuminated yellow	100 Mbit/s
Link speed ("Spd") illuminated green	1000 Mbit/s

Ambient conditions

Commercial temperature range	0°C ... +55°C
Industrial temperature range	-40°C ... +70°C
Storage temperature range	-40°C ... +85°C
Relative humidity (operation)	0% ... 95% (non-condensing)
Relative humidity (storage and transport)	0% ... 95% (non-condensing)
Air pressure	2000 m (795 hPa)

Approvals (in preparation)

CE (FCC CFR 47 Part 15, cJUL US 508 listed, DNV, GL, ABS, NK)

EMC and environmental conditions

EMC interference immunity (EN 61000-6-1, 61 000-6-2 55024)

Electrostatic discharge (ESD) EN 61 000-4-2
 Electromagnetic field EN 61 000-4-3
 Rapid transients (burst) EN 61 000-4-4
 Surge voltages EN 61 000-4-5
 Conducted interference voltage EN 61 000-4-6

EMC interference emission (EN 61000-6-4, EN 55 022, FCC CFR 47 Part 15)

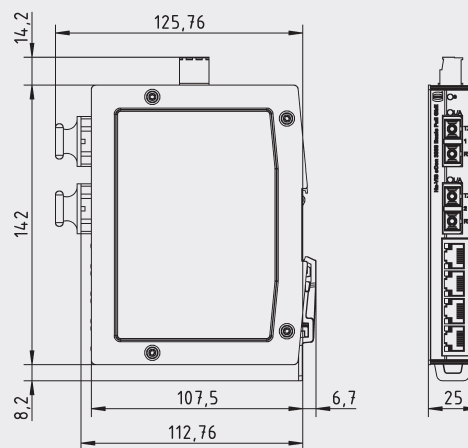
Mechanical stability (EN 60721-3)

IEC 60068-2-6 Vibration
 IEC 60068-2-6 Resonance search
 IEC 60068-2-27 Shock test

Scope of delivery

- Pluggable screwed contact for power supply
- Installation instructions

Drawings



Specifications / order information

Ports / order information

RJ45	SFP	SC	Housing width	Power consumption @ 24 VDC	MTBF in million h	Commercial temp.: 0°C ... +55°C		Industrial temp.: -40°C ... +70°C	
						switch	Order no.	switch	Order no.
1	-	1x MM (0.55 km)	25 mm	80 mA	S. eCatalogue	Ha-VIS eCon 3011GB-AD	24034011110	Ha-VIS eCon 3011GBT-AD	24034011100
1	-	1x SM (10 km)	25 mm	80 mA	S. eCatalogue	Ha-VIS eCon 3011GB-AF	24034011210	Ha-VIS eCon 3011GBT-AF	24034011200
1	1	-	25 mm	100 mA	S. eCatalogue	Ha-VIS eCon 3011GB-AC	24034011310	Ha-VIS eCon 3011GBT-AC	24034011300
4	-	1x MM (0.55 km)	25 mm	135 mA	S. eCatalogue	Ha-VIS eCon 3041GB-AD	24034041110	Ha-VIS eCon 3041GBT-AD	24034041100
4	-	1x SM (10 km)	25 mm	138 mA	S. eCatalogue	Ha-VIS eCon 3041GB-AF	24034041210	Ha-VIS eCon 3041GBT-AF	24034041200
4	-	2x MM (0.55 km)	25 mm	155 mA	S. eCatalogue	Ha-VIS eCon 3042GB-AD	24034042110	Ha-VIS eCon 3042GBT-AD	24034042100
4	-	2x SM (10 km)	25 mm	157 mA	S. eCatalogue	Ha-VIS eCon 3042GB-AF	24034042210	Ha-VIS eCon 3042GBT-AF	24034042200
4	3	-	25 mm	205 mA	S. eCatalogue	Ha-VIS eCon 3043GB-AC	24034043310	Ha-VIS eCon 3043GBT-AC	24034043300
5	-	-	25 mm	140 mA	S. eCatalogue	Ha-VIS eCon 3050GB-A	24034050010	Ha-VIS eCon 3050GBT-A	24034050000
5	-	1x MM (0.55 km)	25 mm	155 mA	S. eCatalogue	Ha-VIS eCon 3051GB-AD	24034051110	Ha-VIS eCon 3051GBT-AD	24034051100
5	-	1x SM (10 km)	25 mm	158 mA	S. eCatalogue	Ha-VIS eCon 3051GB-AF	24034051210	Ha-VIS eCon 3051GBT-AF	24034051200
5	2	-	25 mm	190 mA	S. eCatalogue	Ha-VIS eCon 3052GB-AC	24034052310	Ha-VIS eCon 3052GBT-AC	24034052300
6	-	-	25 mm	160 mA	S. eCatalogue	Ha-VIS eCon 3060GB-A	24030060010	Ha-VIS eCon 3060GBT-A	24030060000
6	1	-	25 mm	180 mA	S. eCatalogue	Ha-VIS eCon 3061GB-AC	24034061310	Ha-VIS eCon 3061GBT-AC	24034061300
7	-	-	25 mm	185 mA	S. eCatalogue	Ha-VIS eCon 3070GB-A	24034070010	Ha-VIS eCon 3070GBT-A	24034070000