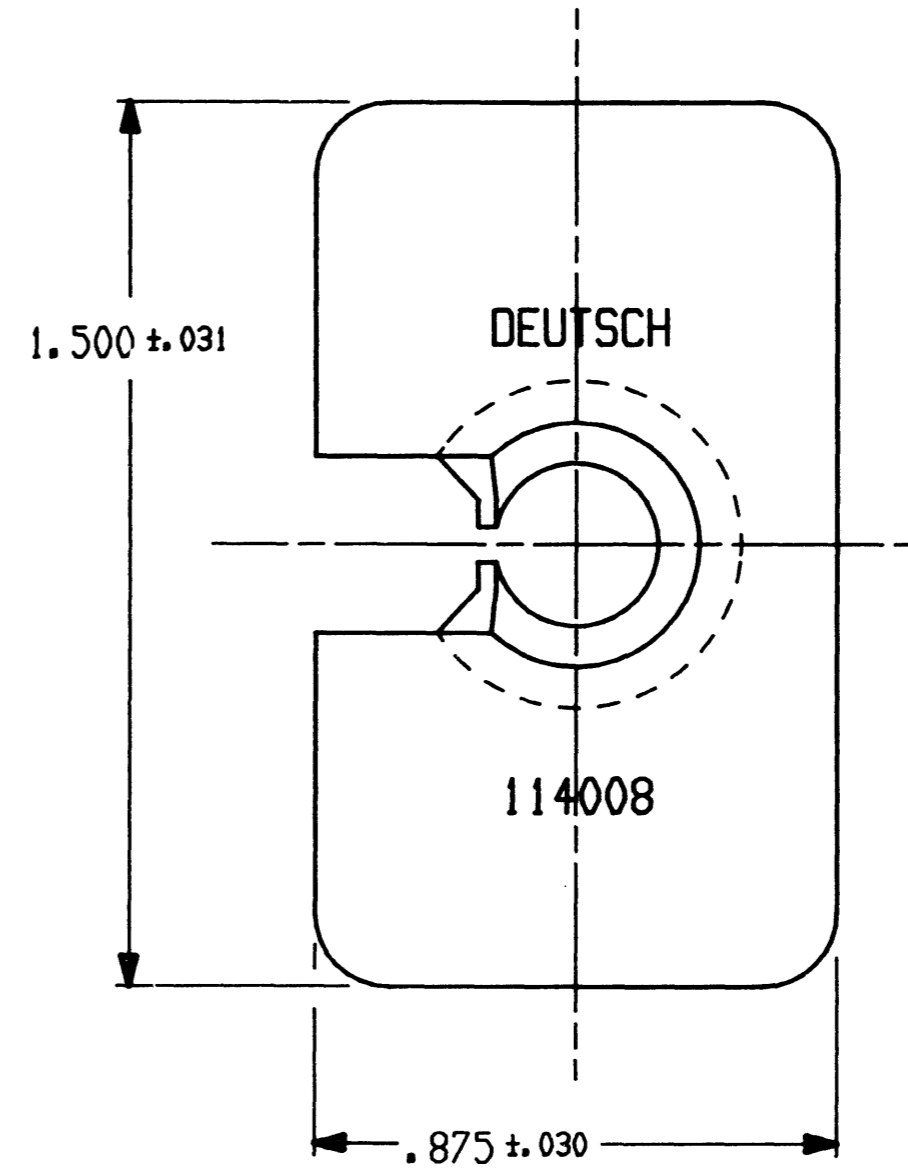
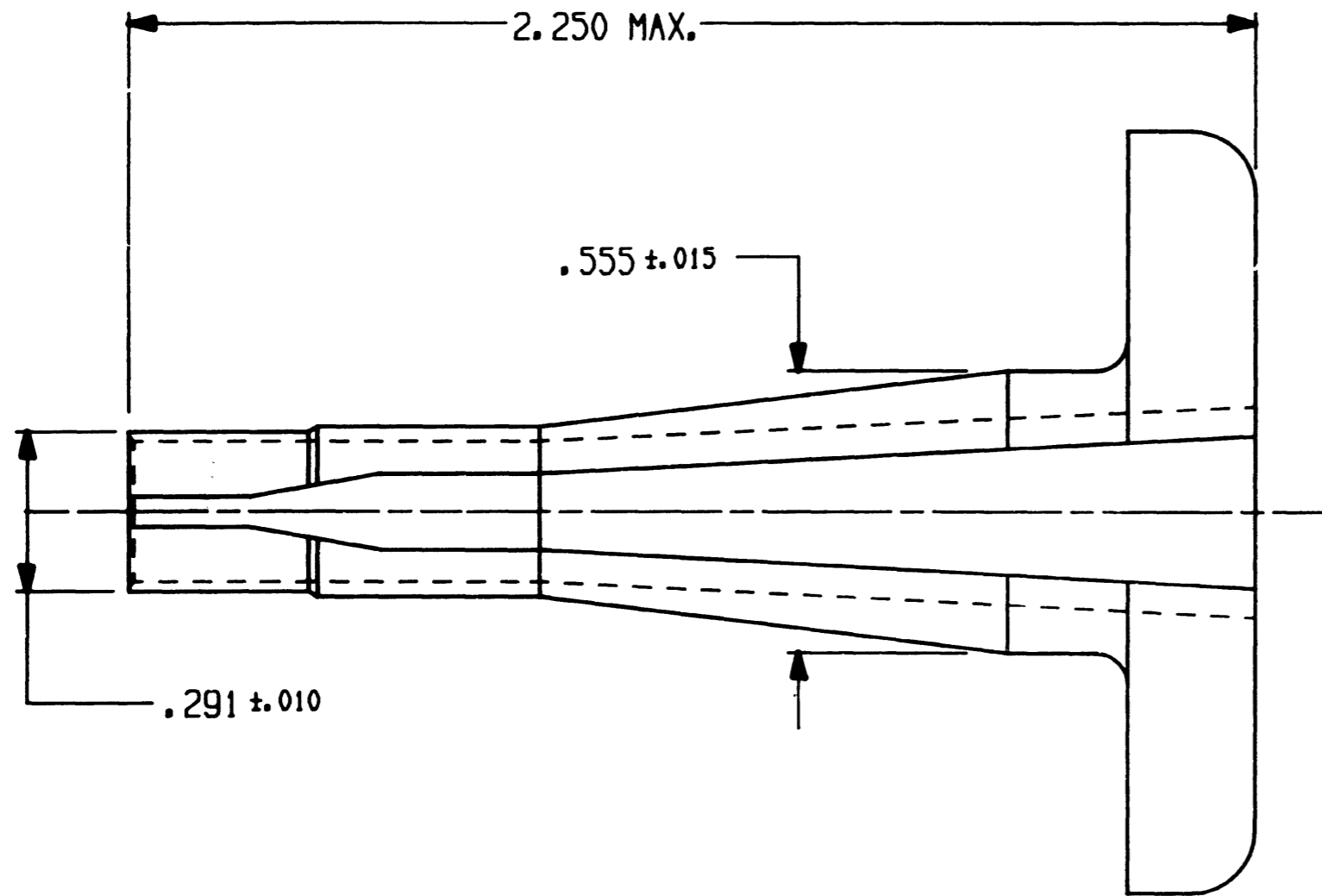


N/C 114008


REVISIONS			
SYM	DESCRIPTION	DATE	APPROVED
N/C	NEW RELEASE PER E.O. A7793	2-8-88	PAK



NOTE: 1. ALL DIMENSIONS ARE IN INCHES UNLESS OTHERWISE SPECIFIED.

SIGNATURE & DATE	
DR	HARRINGTON 2/3/88
CHK	N. LAZAROV 2-8-88
PE	<i>ASD</i> 2/3/88
APPD	
SCALE	NONE
WT	

PROBE TOOL
EXTRACTION
SIZE 8
ENVELOPE

CP	MATL CODE 63
DEUTSCH ENGINEERED CONNECTING DEVICES  Municipal Airport Banning, California	
B	114008
DWG SIZE	CODE 11138 SHEET 1 OF 1

114008ENV