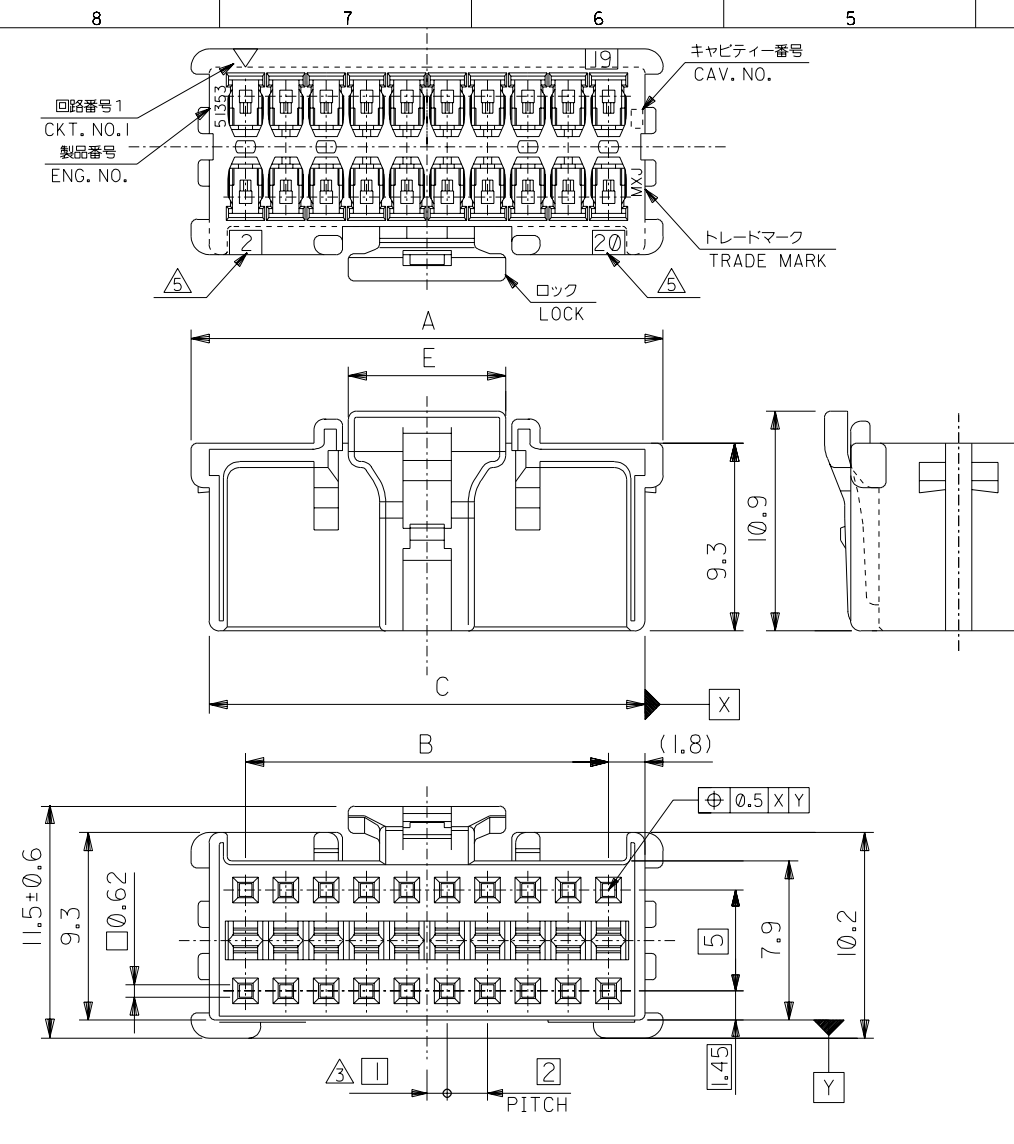


DO NOT SCALE DRAWING



注記 NOTES

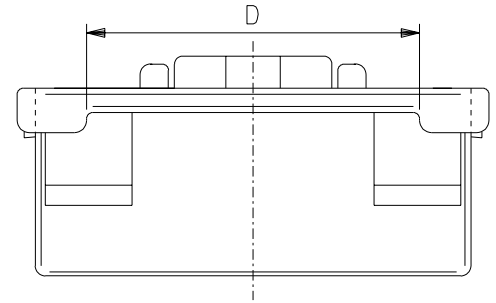
△ 適合ターミナル : 56134-9000, 9100
 APPLICABLE TERMINAL : 56134-9000, 9100

2. 嵌合相手 : 55917, 55959 シリーズ
 MATE WITH : 55917, 55959 SERIES
 (全極数/2) = 偶数の場合に適用。
 APPLY FOR (CIRCUIT/2) = EVEN

△ 製品番号 MATERIAL NO. 51353-**-0*
 極数 CIRCUIT SIZE 色 COLOR

△ ロック側の回路番号表示は、8~14極は無し、16~40極は有り。
 LOCK SIDE CKT. NO. DIDN'T INDICATED 8~14CKT,
 INDICATE 16~40CKT.

| | |
|------------------------------|---|
| ナチュラル (白) NATURAL (WHITE) | 0 |
| 黒 BLACK | 1 |
| 赤 RED | 2 |
| 黄 YELLOW | 3 |
| 青 BLUE | 4 |
| 桃 PINK | 5 |
| 緑 GREEN | 6 |
| 茶 BROWN | 7 |
| 橙 ORANGE | 8 |
| 紫 VIOLET | 9 |

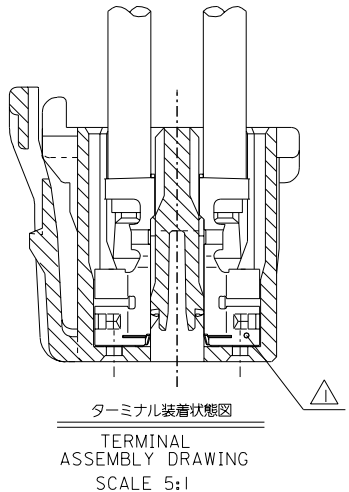
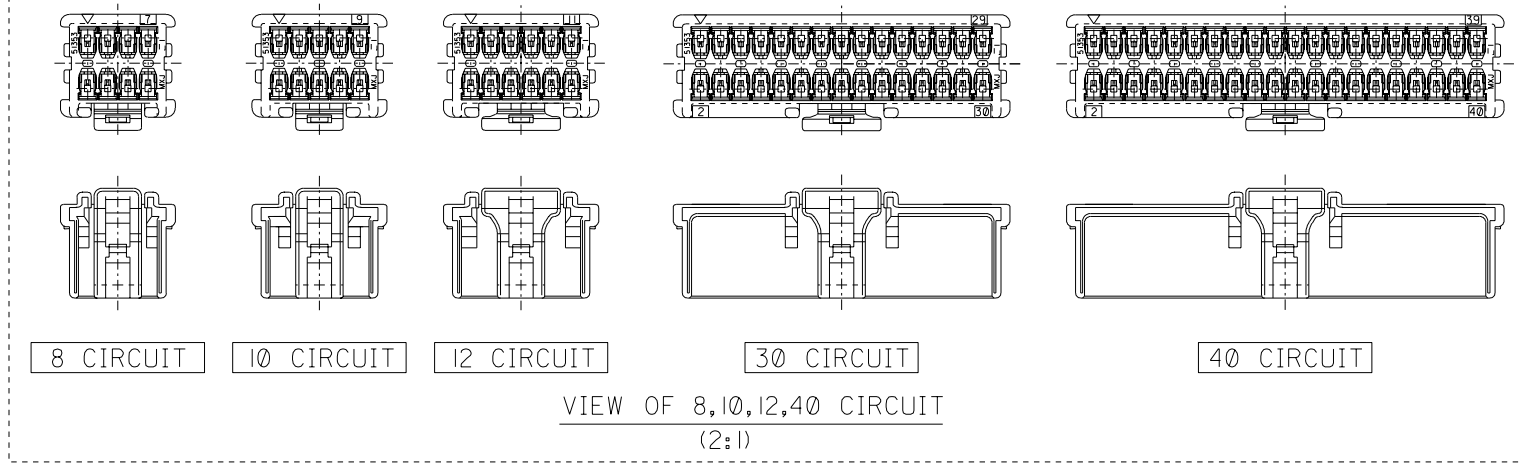


| | | | | | | |
|-----|------|------|----|------|--------------|------|
| 7.8 | 36.5 | 41.6 | 38 | 43.4 | 51353-400* | 40 |
| | 34.5 | 39.6 | 36 | 41.4 | -380* | 38 |
| | 32.5 | 37.6 | 34 | 39.4 | -360* | 36 |
| | 30.5 | 35.6 | 32 | 37.4 | -340* | 34 |
| | 28.5 | 33.6 | 30 | 35.4 | -320* | 32 |
| | 26.5 | 31.6 | 28 | 33.4 | -300* | 30 |
| | 24.5 | 29.6 | 26 | 31.4 | -280* | 28 |
| | 22.5 | 27.6 | 24 | 29.4 | -260* | 26 |
| | 20.5 | 25.6 | 22 | 27.4 | -240* | 24 |
| | 18.5 | 23.6 | 20 | 25.4 | -220* | 22 |
| | 16.5 | 21.6 | 18 | 23.4 | -200* | 20 |
| | 14.5 | 19.6 | 16 | 21.4 | -180* | 18 |
| | 12.5 | 17.6 | 14 | 19.4 | -160* | 16 |
| | 10.5 | 15.6 | 12 | 17.4 | -140* | 14 |
| 7.8 | 8.5 | 13.6 | 10 | 15.4 | -120* | 12 |
| 4.7 | 6.5 | 11.6 | 8 | 13.4 | -100* | 10 |
| 4.7 | 4.5 | 9.6 | 6 | 11.4 | 51353-080* | 8 |
| E | D | C | B | A | MATERIAL NO. | CKT. |

| | | | | | | | | | | | |
|---|---|------------------------------------|---|------------------------|---|--|--------------|-----------|-----------|------|-------------------------|
| EC NO. DRWN: CHK: APPR: | REVISED | MATERIAL 材料 66NYLON, UL94V-0 | GENERAL TOLERANCES: (UNLESS SPECIFIED) 一般公差 | SCALE | DESIGN UNITS | MODEL NO. | DIMENSIONS: | | SHT | REV | |
| | EC NO. J2003-0719 DRWN:N.ITO '02/10/22 CHK: K.ASAKAWA APPR:T.YAMAGUCHI | | | 10 UNDER 未滿 | mm | THIRD ANGLE PROJECTION | mm | INCH | mm | ONLY | REVISION ON CAD ONLY |
| | REVISED | | | 10 OVER 30 UNDER 未滿 | mm | INCH | mm | ONLY | | | |
| | EC NO. J2003-0066 DRWN:N.ITO '02/07/08 CHK: K.ASAKAWA APPR:T.YAMAGUCHI | | | 30 OVER 以上 | mm | INCH | mm | ONLY | | | |
| REVISED | RELEASED | FINISH 仕上げ | ANGLE | 角 | TITLE: | 2.0mm W+-B DUAL CONN DIP RCPT HOUSING | | | | | |
| EC NO. J2002-2307 DRWN:N.ITO '02/03/18 CHK: K.ASAKAWA APPR:T.YAMAGUCHI | EC NO. J2002-1196 DRWN:N.ITO '01/12/17 CHK: K.ASAKAWA APPR:T.YAMAGUCHI | WIRE RANGE 適用線径範囲 | 3° | 度 | MOLEX MOLEX INCORPORATED | MATERIAL NO. | DRAWING NO. | SHEET NO. | REV | | |
| EC NO. J2002-2307 DRWN:N.ITO '02/03/18 CHK: K.ASAKAWA APPR:T.YAMAGUCHI | EC NO. J2002-1196 DRWN:N.ITO '01/12/17 CHK: K.ASAKAWA APPR:T.YAMAGUCHI | INS. RANGE 被覆外径 | | | 51353002.S01 | SEE CHART | SD-51353-002 | 1 OF 2 | | | |
| | | | | | THIS DRAWING CONTAINS INFORMATION THAT IS PROPRIETARY TO MOLEX INCORPORATED AND SHOULD NOT BE USED WITHOUT WRITTEN PERMISSION. | | | | SIZE B | | |

DWG. NO. SD-51353-002

8 7 6 5 4 3 2 1



DO NOT SCALE DRAWING

| | | | | |
|----------------------------------|--|--|--|---|
| EC NO. DRWN: CHK: APPR: | REVISED EC NO. J2003-0719 DRWN:N.ITO '02/09/12 CHK: K.ASAKAWA APPR:T.YAMAGUCHI | REVISED EC NO. J2003-0066 DRWN:N.ITO '02/07/08 CHK: K.ASAKAWA APPR:T.YAMAGUCHI | REVISED EC NO. J2002-2307 DRWN:N.ITO '02/03/18 CHK: K.ASAKAWA APPR:T.YAMAGUCHI | RELEASED EC NO. J2002-1196 DRWN:N.ITO '01/12/17 CHK: K.ASAKAWA APPR:T.YAMAGUCHI |
| 8 | C | B | A | 0 |

| | |
|----------------------|------------------|
| MATERIAL 材料 | SEE CHART 1 OF 2 |
| FINISH 仕上げ | // |
| WIRE RANGE 適用線径範囲 | // |
| INS. RANGE 被覆外径 | // |

| | | |
|---|---------------------------|-------|
| GENERAL TOLERANCES: (UNLESS SPECIFIED) 一般公差 | 10 UNDER 未満 | ±0.2 |
| | 10 OVER 30 UNDER 以上 未満 | ±0.25 |
| | 30 OVER 以上 | ±0.3 |
| ANGLE 角度 | | ±3° |

| | | | | | | |
|--|-----------------------------|---|-----------------------------|---------------------|--------------|----------------------|
| 51353-●●0● | | MODEL NO. | DIMENSIONS: | | SHT | REV |
| SCALE // | DESIGN UNITS ☒ mm ☐ INCH | THIRD ANGLE PROJECTION | ☐ mm INCH | ☐ mm mm | ☒ mm ONLY | REVISION CAD ONLY |
| DRAWN BY & DATE N.ITO '01/12/17 | | TITLE: 2.0mm W-+-B DUAL CONN DIP RCPT HOUSING | | | | |
| CHECKED BY & DATE K.ASAKAWA '02/09/12 | | APPROVED BY & DATE T.YAMAGUCHI '02/09/12 | | | | |
| CAD FILENAME 51353002.S02 | | MATERIAL NO. SEE CHART | DRAWING NO. SD-51353-002 | SHEET NO. 2 OF 2 | | |
| THIS DRAWING CONTAINS INFORMATION THAT IS PROPRIETARY TO MOLEX INCORPORATED AND SHOULD NOT BE USED WITHOUT WRITTEN PERMISSION. | | | | | | |
| SIZE B | | | | | | |

8 7 6 5 4 3 2 1 EN-02J(097) MXJ-54