

4

3

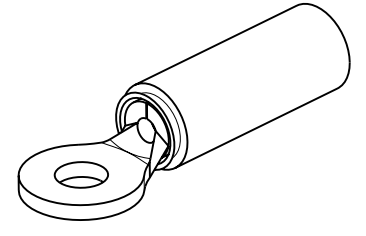
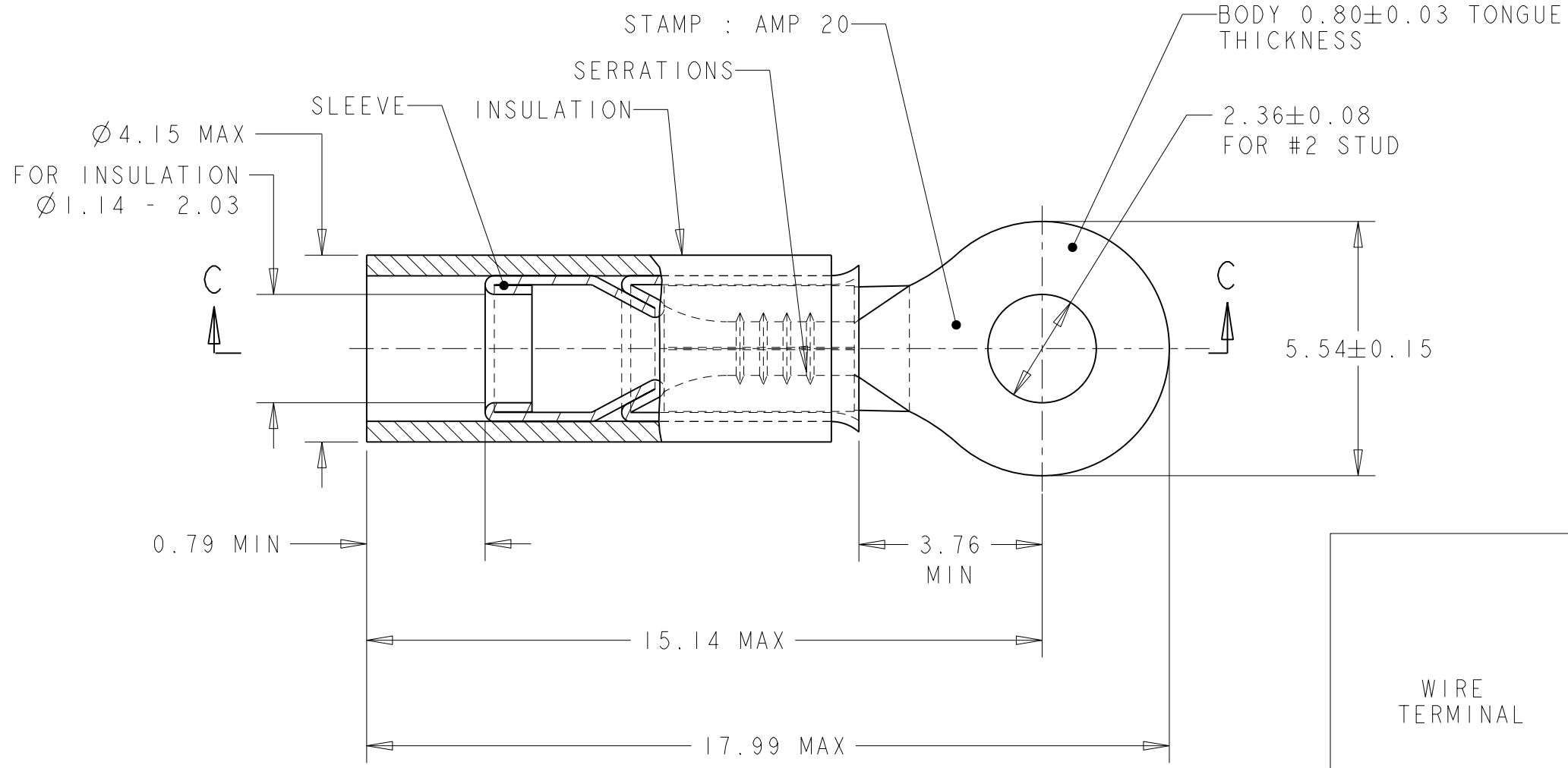
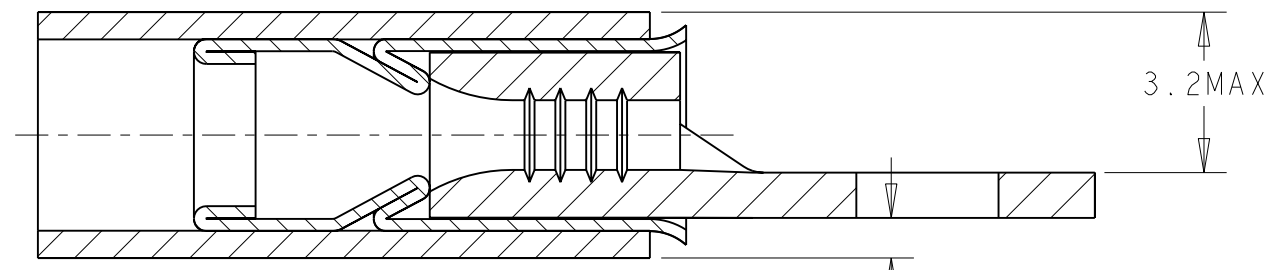
2

1

THIS DRAWING IS UNPUBLISHED. RELEASED FOR PUBLICATION 20  
 © COPYRIGHT 20 BY TYCO ELECTRONICS CORPORATION. ALL RIGHTS RESERVED.

LOC	DIST	REVISIONS			
P	LTR	DESCRIPTION	DATE	DWN	APVD
F	00	A	NEW RELEASE	24MAR2008	PK YP

COUPE C-C



SCALE 3:1

WIRE TERMINAL	1577962-1	BODY : COPPER ANNEALED FINISH : NICKEL PLATED
		SLEEVE : COPPER ANNEALED FINISH : NICKEL PLATED
		INSULATION : PEEK COLOR : GREY
DESCRIPTION	PART NUMBER	MATERIAL & FINISH

THIS DRAWING IS A CONTROLLED DOCUMENT FOR TYCO ELECTRONICS CORPORATION IT IS SUBJECT TO CHANGE AND THE CONTROLLING ENGINEERING ORGANIZATION SHOULD BE CONTACTED FOR THE LATEST REVISION.		DWN 24MAR2008 PRAVEEN K	TYCO ELECTRONICS France SAS BP 30039, 95301 CERGY-PONTOISE Cedex	
DIMENSIONS: mm		CHK 24MAR2008 G. ROBERT		
TOLERANCES UNLESS OTHERWISE SPECIFIED:		APVD 24MAR2008 Y. PETRONIN	NAME TERMINAL, PEEK PIDG STRATO, 20 AWG	
0 PLC ±- 1 PLC ±0.3 2 PLC ±- 3 PLC ±- 4 PLC ±- ANGLES ±5		PRODUCT SPEC 108-15356	RESTRICTED TO	
MATERIAL SEE TABLE		APPLICATION SPEC 114-15102	SIZE A3	CAGE CODE 00779
FINISH SEE TABLE		WEIGHT 0,58 gr	DRAWING NO 1577962	REV A
CUSTOMER DRAWING			SCALE 8:1	SHEET 1 OF 1