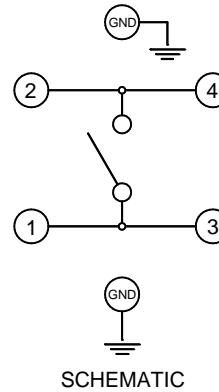


P.C.B. MOUNTING PLAN

Grounded Terminal
can be effective even if not soldered



SCHEMATIC

TECHNICAL CHARACTERISTICS

SPECIFICATION

- >Rating: 20mA, 15VDC
- >Contact Resistance: Initial: 100mOHM max. After Life Test: 20HM max.
- >Insulation Resistance: min. 100MOHM at 500VDC
- >Dielectric Strength: 250VAC for 1 minute
- >Stroke: 0.25 +0.05 / - 0.1mm
- >Bounce: 10ms max.

MATERIAL

- >Cover: Copper alloy
- >Stem: LCP UL 94V-0
- >Frame: LCP UL 94V-0, color Black
- >Contact: Stainless Steel with silver
- >Terminal: Copper alloy with silver plating
- >Tape: Polyimide tape

SOLDERING INFORMATION

- >Terminal in SMD version
- >Reflow soldering according to JEDEC J-STD 020 Hot Air
- >Hand soldering under 350°C for 3 sec. max

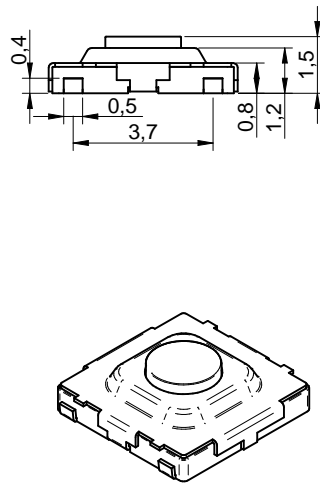
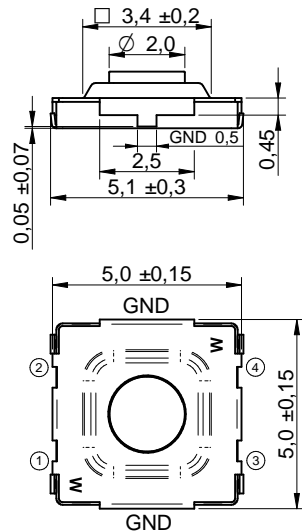
ENVIRONMENTAL

- >Storage condition: -40°C ~ +85°C
- >Operation condition: -40°C ~ +85°C
- >Compliance: Lead Free, ROHS, Reach

PACKAGING INFORMATION

>Tape & Reel

PN	Force	Color of Stem	Life cycle
431 183 015 816	160g ± 50gf	Black	1.000.000
431 153 015 826	260g ± 50gf	White	200.000



Scale - 5:1

This electronic component is designed and developed with the intention for use in general electronics equipments.

Before incorporating the components into any equipments in the field such as aerospace, aviation, nuclear control, submarine, transportation, (automotive control, train control, ship control), transportation signal, disaster prevention, medical, public information network etc. where higher safety and reliability are especially required or if there is possibility of direct damage or injury to human body, Würth Elektronik must be asked for a written approval.

In addition, even electronic component in general electronic equipments, when used in electrical circuits that require high safety, reliability functions or performance, the sufficient reliability evaluation-check for the safety must be performed before by the user before usage.

		Projection		GENERAL TOLERANCE .x = +/- 0,1			Basic material				
f	remove Contact cladding	14-11-04	DaF	Drawn	10-07-13	Jelisarow	DESCRIPTION WS-TASV 5x5mm Tact Switch with ground terminal, J-Bend SMD version				
e	revised MatchCode	14-07-24	AL	Checked	10-07-13	Hsu					
d	Bounce 10ms max.	14-04-11	DaF								
c	warning text	11-10-28	WJ								
b	Stroke Tolerance was +/- 0,15	11-08-30	WJ		Würth Elektronik eiCan		Scale	5:1	Position		SIZE
a	General Tolerance was +/- 0,2	11-08-26	WJ				Drawing.- No. 4311x30158x6			A4	
REV	FILE	DATE	BY	EDV NO 4311x30158x6.dft			System :Solid Edge V20				