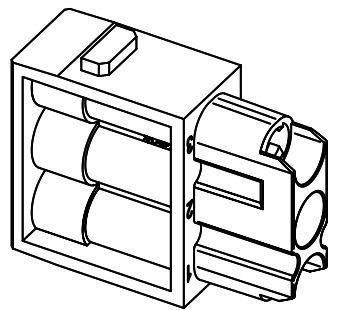
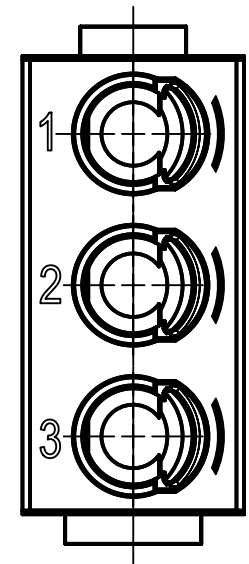
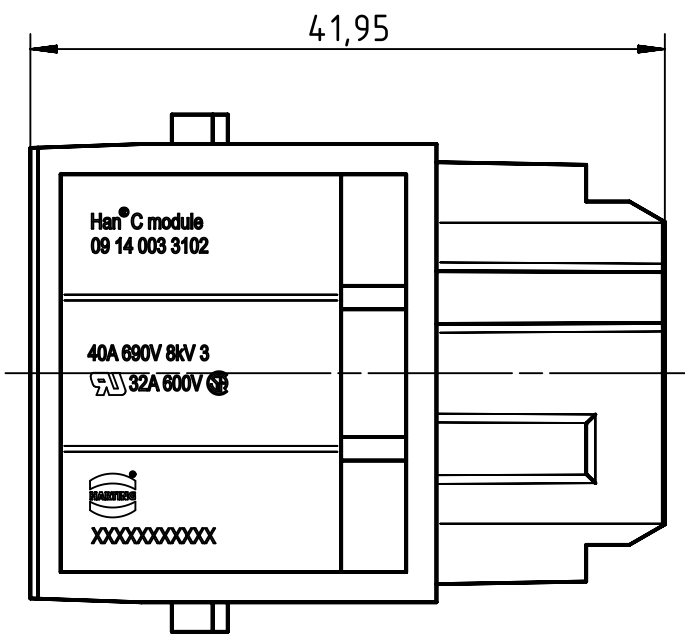
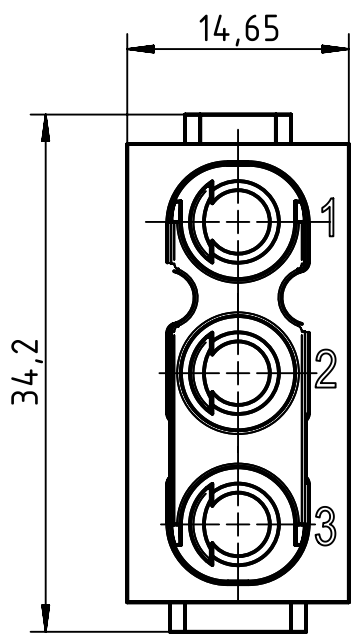


1 2 3 4 5 6

A
B
C
D



outer diameter of wire up to 7.8 mm

	All Dimensions in mm Original Size DIN A4		Scale 1:1	Free size tol.		Ref.	
						Sub.	
	All rights reserved		Created by SPRENB	Inspected by GRIEPENSTROH	Standardisation TIEMANNA	Date 2013-09-17	
	Department EL PD - DE					State Final Release	
HARTING Electric GmbH & Co. KG D-32339 Espelkamp		Title Han C module, crimp female, for 7.5mm				Doc-Key / ECM-Nr. 100086338/UGD/012/B 500000066360	
		Type TB	Number 09 14 003 3102			Rev. B	Page 1/1