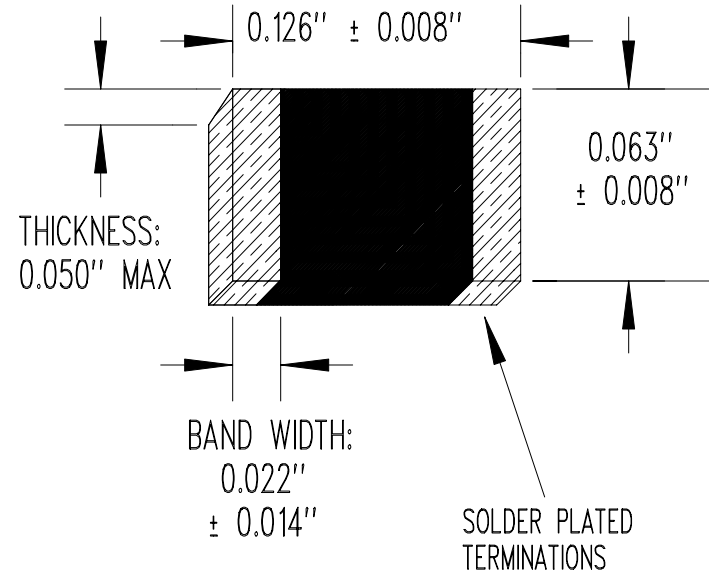


RESISTANCE/TEMPERATURE TABLE			
TEMP (°C)	RESIS (Ω)	TEMP (°C)	RESIS (Ω)
-40	3,777,950	45	41,551
-35	2,707,997	50	33,835
-30	1,962,051	55	27,695
-25	1,436,105	60	22,782
-20	1,061,301	65	18,830
-15	791,493	70	15,634
-10	595,399	75	13,038
-5	451,578	80	10,919
0	345,178	85	9,181
5	265,812	90	7,753
10	206,147	95	6,572
15	160,954	100	5,591
20	126,479	105	4,773
25	100,000	110	4,089
30	79,567	115	3,515
35	63,702	120	3,031
40	51,303	125	2,621



RESISTANCE @ +25°C = 100,000 Ω ± 5%
 BETA "β" (+25 TO +85°C) = 4,250°K NOMINAL
 POWER RATING = 400 mW/°C
 OPERATING TEMPERATURE RANGE = -40 TO +125°C

SEE MANUFACTURING SPECIFICATION (LAYER 1)

"A"	THICKNESS WAS 0.048" MAXIMUM	12/12/03	DD
NONE	RELEASE TO PRODUCTION	12/03/03	DD
REV	REVISION RECORD	DATE	APP

SCALE	NONE	U.S. SENSOR CORP. 1832 W. COLLINS AVE. ORANGE, CA. 92867 714-639-1000 www.ussensor.com
DRAWN BY	DAN DANKERT	
DATE	12/03/03	
REV.	"A"	
LAYER	0 OF 2	
		THERMISTOR, NTC CHIP
		P/N LR104R0J