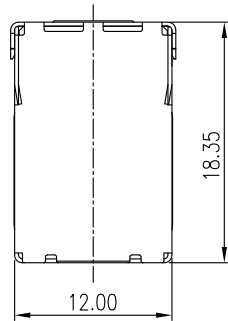
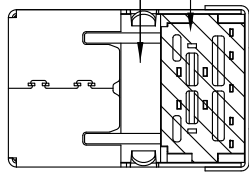


This document is the property of Amphenol Corporation and is delivered on the express condition that is not to be disclosed, reproduced or used, in whole or in part, for manufacture or sale by anyone other than Amphenol Corporation without its prior consent, and that no right is granted to disclose or to use any information in this document.

The marking on this product doesn't contain environmental hazardous materials per Material Specification 55-00259 for Sony GP compliant or per directive 2002/95/EC for RoHS compliant.

REVISIONS				
SYM	ECN No.	DESCRIPTION	DATE	APPROVED
AX1		NON-RELEASE REVISION	06/02/2010	Roger Tsai
AX2		1. ADD NOTE.3 2. ADD BAFFLE MATERIAL. 3. ADD PACKAGING	06/25/2010	Arron Lin

HOUSING: PBT BAFFLE: NYLON66



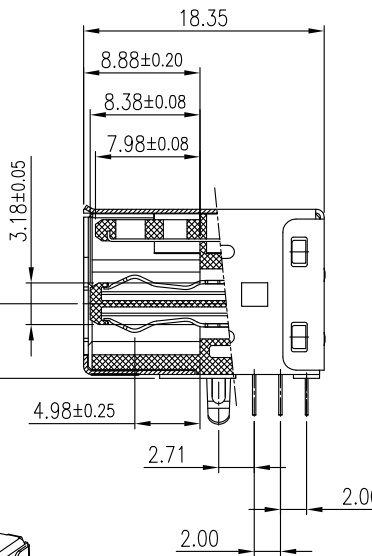
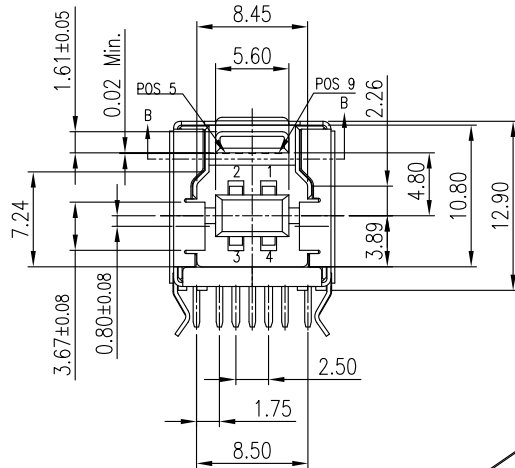
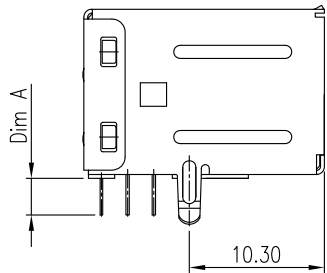
PART NO. GSB3211XXXWEU
 CONTACT FINISH
 1: GOLD FLASH
 2: 5 μ" GOLD
 3: 30 μ" GOLD
 TAIL LENGTH
 1: 2.80 MM
 2: 3.30 MM
 COLOR
 1: BLUE
 3: BLACK

PART NO.	Dim A
GSB3211XX1WEU	2.80 MM
GSB3211XX2WEU	3.30 MM

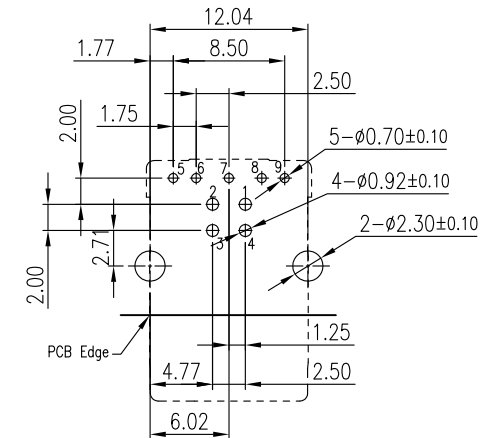
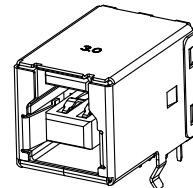
Pin Number	Signal Name	Pin Number	Signal Name
1	VBUS	6	StdB_SSTX+
2	D-	7	GND-DRAIN
3	D+	8	StdB_SSRX-
4	GND	9	StdB_SSRX+
5	StdB_SSTX-		

NOTES:

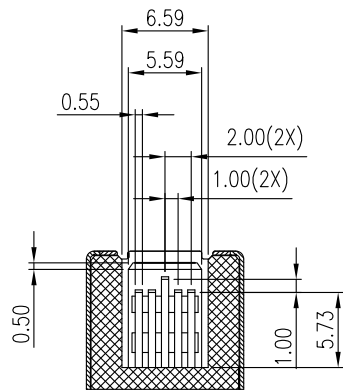
- MATERIAL:
 HOUSING: HIGH TEMPERATURE THERMAL PLASTIC, PBT, UL94V-0.
 BAFFLE : HIGH TEMPERATURE THERMAL PLASTIC, NYLON66, UL94V-0.
 TERMINAL A: COPPER ALLOY.
 TERMINAL B: COPPER ALLOY.
 SHELL: COPPER ALLOY.
- FINISH:
 TERMINAL A & TERMINAL B:
 CONTACT AREA: SELECTED GOLD PLATING;
 SOLDERING AREA: TIN PLATING 100 μ" THICKNESS MIN.;
 UNDER PLATING: NICKEL PLATING 50 μ" THICKNESS MIN. OVERALL.
 SHELL:
 NICKEL PLATING 50 μ" THICKNESS MIN. OVERALL.
- THIS PRODUCT IS FOR WAVE SOLDERING ONLY.
- THIS PRODUCT DOESN'T CONTAIN ENVIRONMENTAL HAZARDOUS PER DIRECTIVE 2002/95/EC FOR RoHS COMPLIANT.



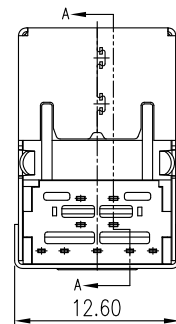
SECTION: A-A



PCB Layout TOP View (T=1.60mm)



SECTION: B-B

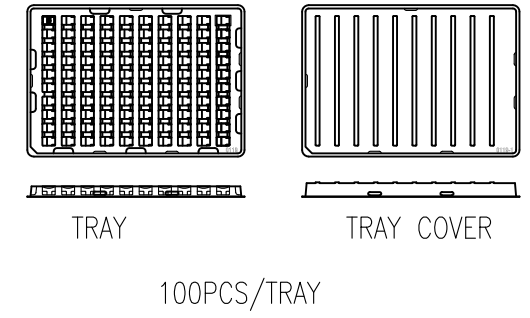
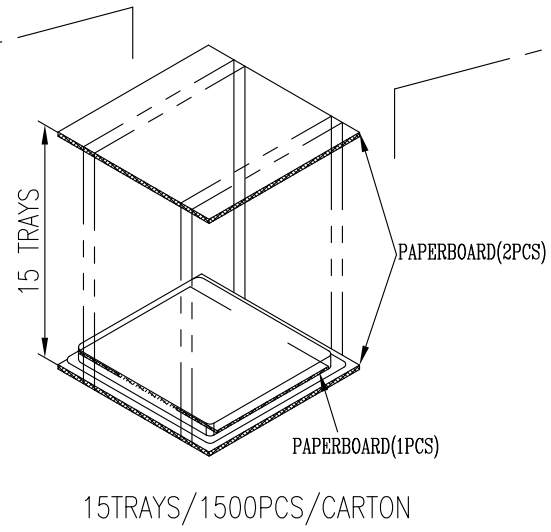
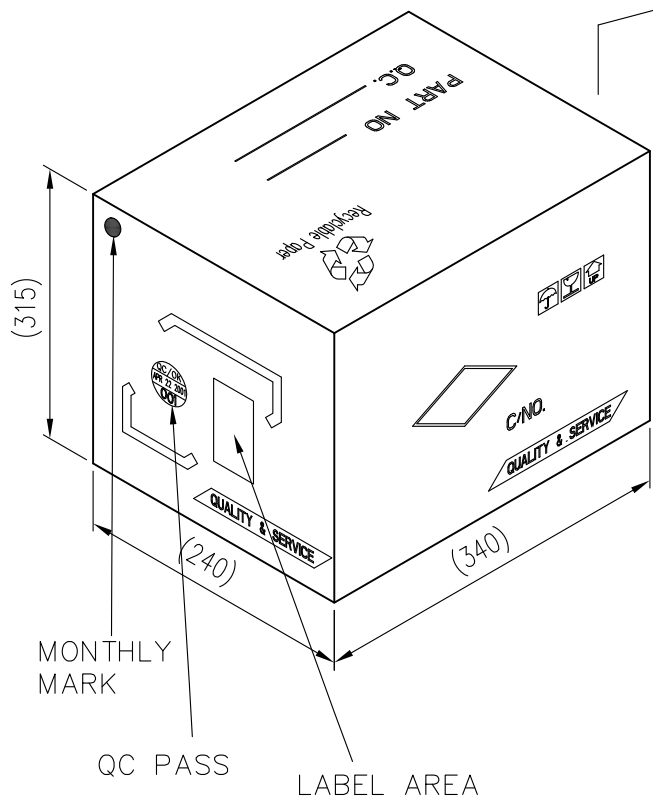


TOLERANCE	APPROVALS	DATE	TITLE	Amphenol® Amphenol Corporation Amphenol Taiwan Corporation				
X. ±0.30 X.X ±0.20 X.XX ±0.20 X.XXX ±0.10	DRAWN Aqua Chou	06/25/2010	USB 3.0 B TYPE RECEPTACLE RIGHT ANGLE, DIP TYPE	PART No. GSB3211XXXWEU				
ANGULAR ±1°	CHECKED Roger Tsai	06/25/2010						
UNLESS OTHERWISE SPECIFIED	APPROVED Arron Lin	06/25/2010						
	DWG TYPE CUST DWG	PROJECT CODE OTHER	UNIT mm	SCALE NA	SIZE A3	SHEET 1 OF 2	DWG No. GSB3211XXXWEU	REV. AX2

This document is the property of Amphenol Corporation and is delivered on the express condition that is not to be disclosed, reproduced or used, in whole or in part, for manufacture or sale by anyone other than Amphenol Corporation without its prior consent, and that no right is granted to disclose or to use any information in this document.

The marking on this product doesn't contain environmental hazardous materials per Material Specification SS-00259 for Sony GP compliant or per directive 2002/95/EC for RoHS compliant.

REVISIONS				
SYM	ECN No.	DESCRIPTION	DATE	APPROVED
AX1		NON-RELEASE REVISION	06/02/2010	Roger Tsai
AX2		1. ADD NOTE.3 2. ADD BAFFLE MATERIAL. 3. ADD PACKAGING	06/25/2010	Arron Lin



**PRELIMINARY RELEASE
SUBJECT TO CHANGE**

100	15	1500	8.3	7.0	GSB3211XXXWEU
PCS/ TRAY	TRAYS/ BOX	QUANTITY (PCS)	G/W (Kg)	N/W (Kg)	PART NUMBER

TOLERANCE	APPROVALS	DATE	TITLE		PART No.	
X. ±0.30	DRAWN Aqua Chou	06/25/2010	USB 3.0 B TYPE RECEPTACLE RIGHT ANGLE, DIP TYPE		Amphenol® Amphenol Corporation Amphenol Taiwan Corporation	
X.X ±0.20	CHECKED Roger Tsai	06/25/2010				
X.XXX ±0.10	APPROVED Arron Lin	06/25/2010				
ANGULAR ±1°	DWG TYPE CUST DWG	PROJECT CODE OTHER		UNIT mm	SIZE A3	PART No. GSB3211XXXWEU
UNLESS OTHERWISE SPECIFIED			SCALE NA	SHEET 2 OF 2	DWG No. GSB3211XXXWEU	REV. AX2