

DETAILS

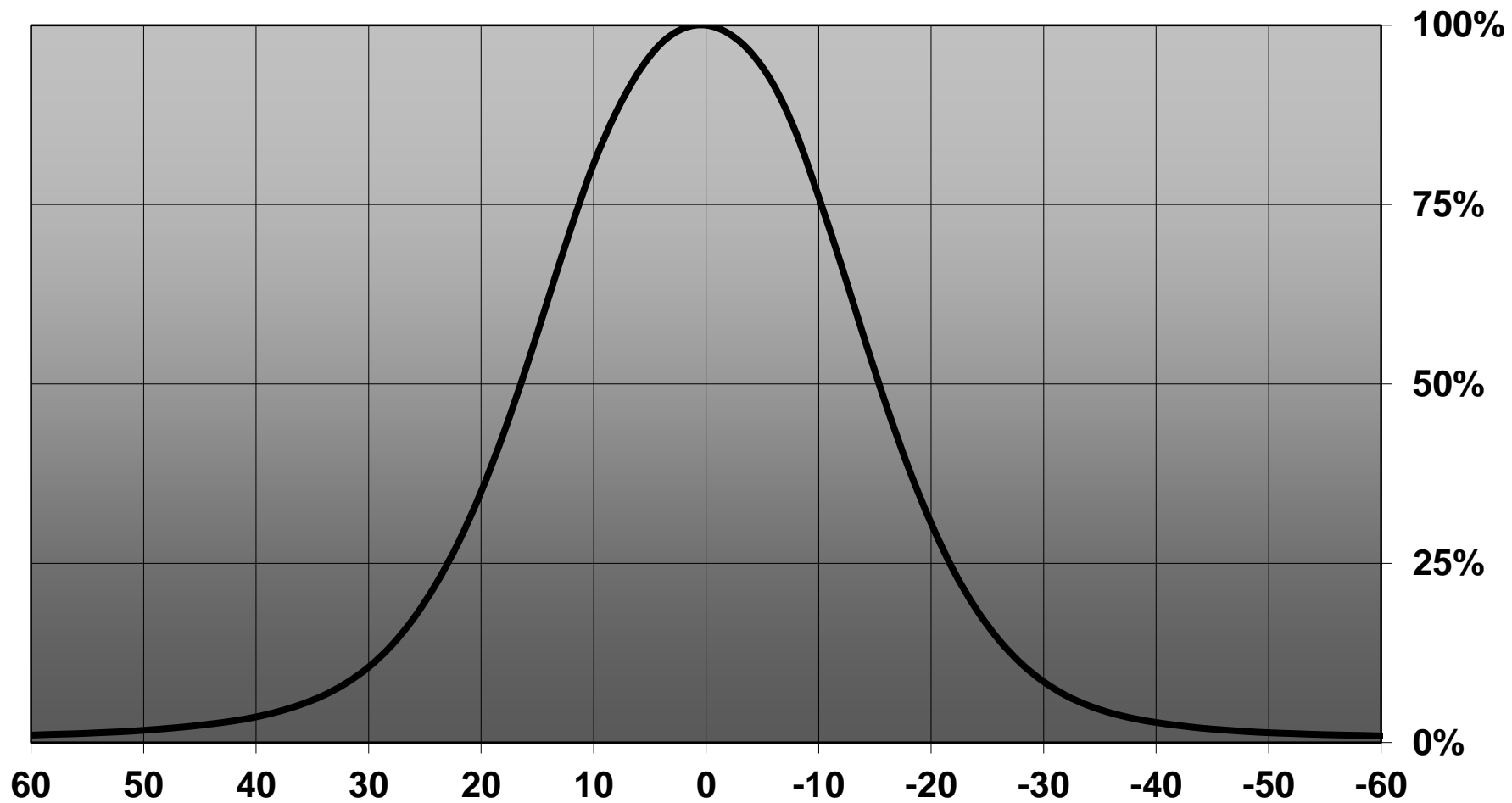
Product Number	CA12538_HEIDI-W
Family	Heidi
Type	Assembly
Color	clear
Diameter	21,6 mm
Height	11,7 mm
Style	round
Optic Material	PMMA
Holder Material	
Fastening	tape, pin
Status	production ready
ROHS Compliant	Yes
Date Updated	3/01/2017



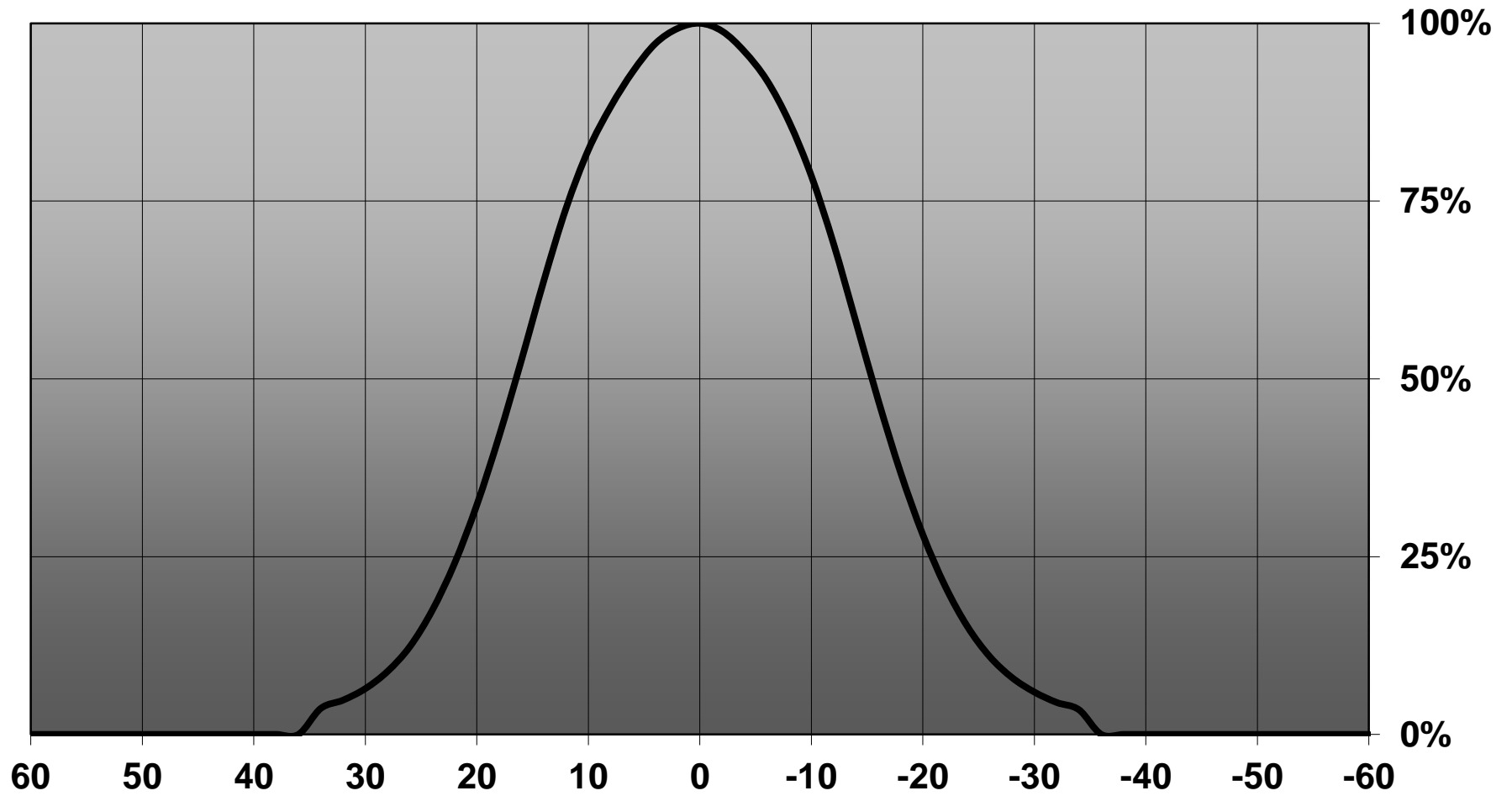
OPTICAL PROPERTIES

LED	Viewing	Light	Efficiency	cd/lm	Connector
	Angle	Beam			
XP-L	33 deg	Wide	87 %	2.450	-
XHP35 HD	32 deg	Wide	84 %	2.410	-
XHP35 HI	32 deg	Wide	86 %	2.800	-
LUXEON Rebel ES	32 deg	Wide	87 %	2.800	-
LUXEON Rebel	32 deg	Wide	87 %	2.800	-
LUXEON A	sim: 31	Wide	-	-	-
LUXEON R	sim: 32	Wide	-	-	-
NWSx229A	31 deg	Wide	83 %	2.300	-
NVSW3x9A	31 deg	Wide	90 %	2.400	-
Oslon SSL 150	32 deg	Wide	86 %	2.900	-
Z8Y22P	31 deg	Wide	92 %	2.300	-

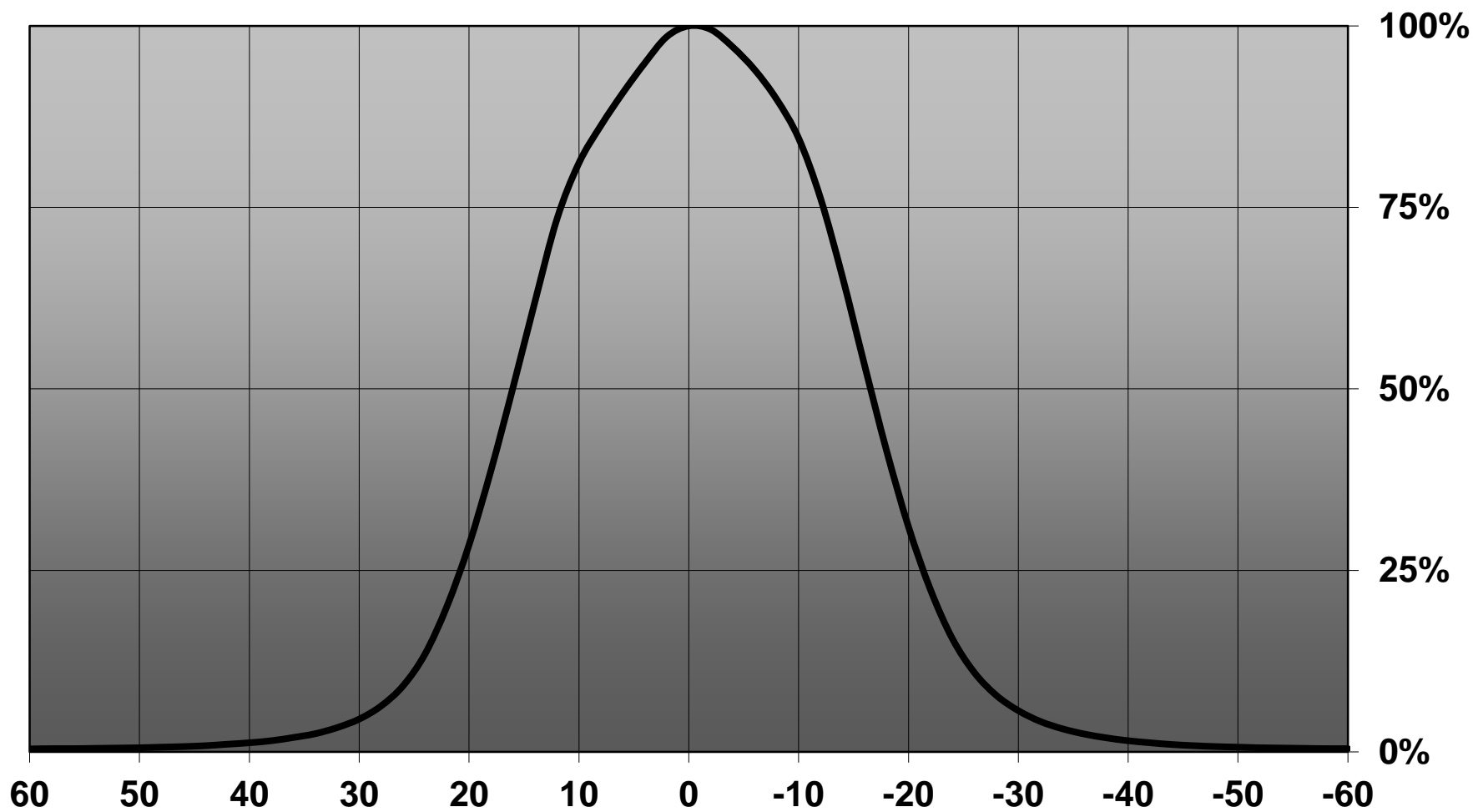
Relative intensity of CA12538_HEIDI-W_(XHP35_HD)



Relative intensity of CA12538_HEIDI-W_(XPH35_HI)



Relative intensity of CA12538_HEIDI-W_(Rebel ES)



D

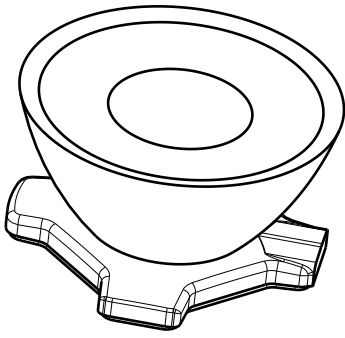
C

B

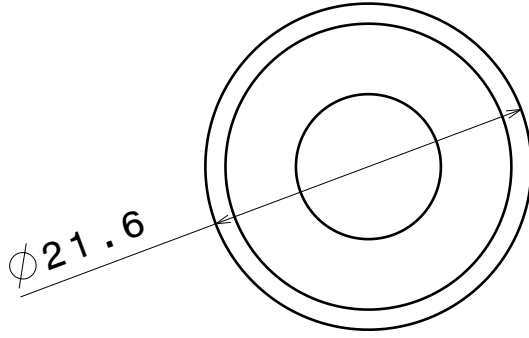
A

4

4



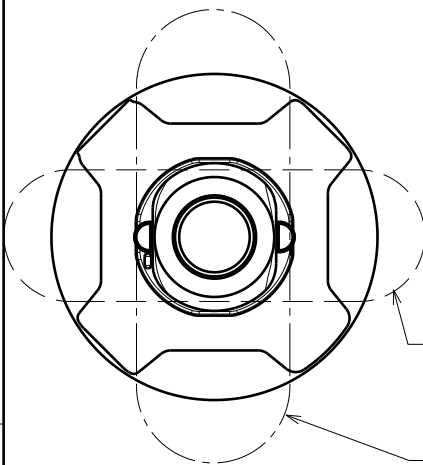
Isometric view



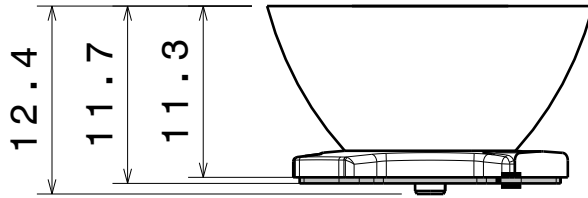
Top view

3

3



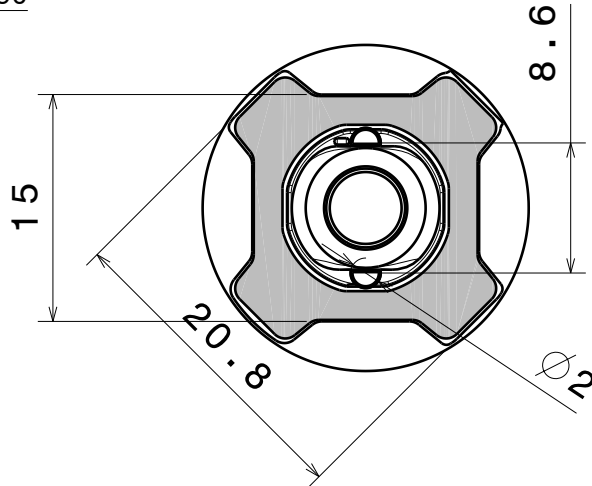
Bottom view
OVAL BEAM direction



Front view

2

2



Bottom view

Material:
Lens PMMA
Tape PU Foam

This drawing is our property.
It can't be reproduced
or communicated without
our written agreement.



Ledil Oy
Salorankatu 10
FIN-24100 SALO
Finland

DRAWING TITLE

Datasheet Heidi-Series Assy

1

1

DRAWN BY
ah

DATE
1.2.2012

CHECKED BY

DATE

SIZE
A4

DRAWING NUMBER

REV
2

DESIGNED BY

DATE

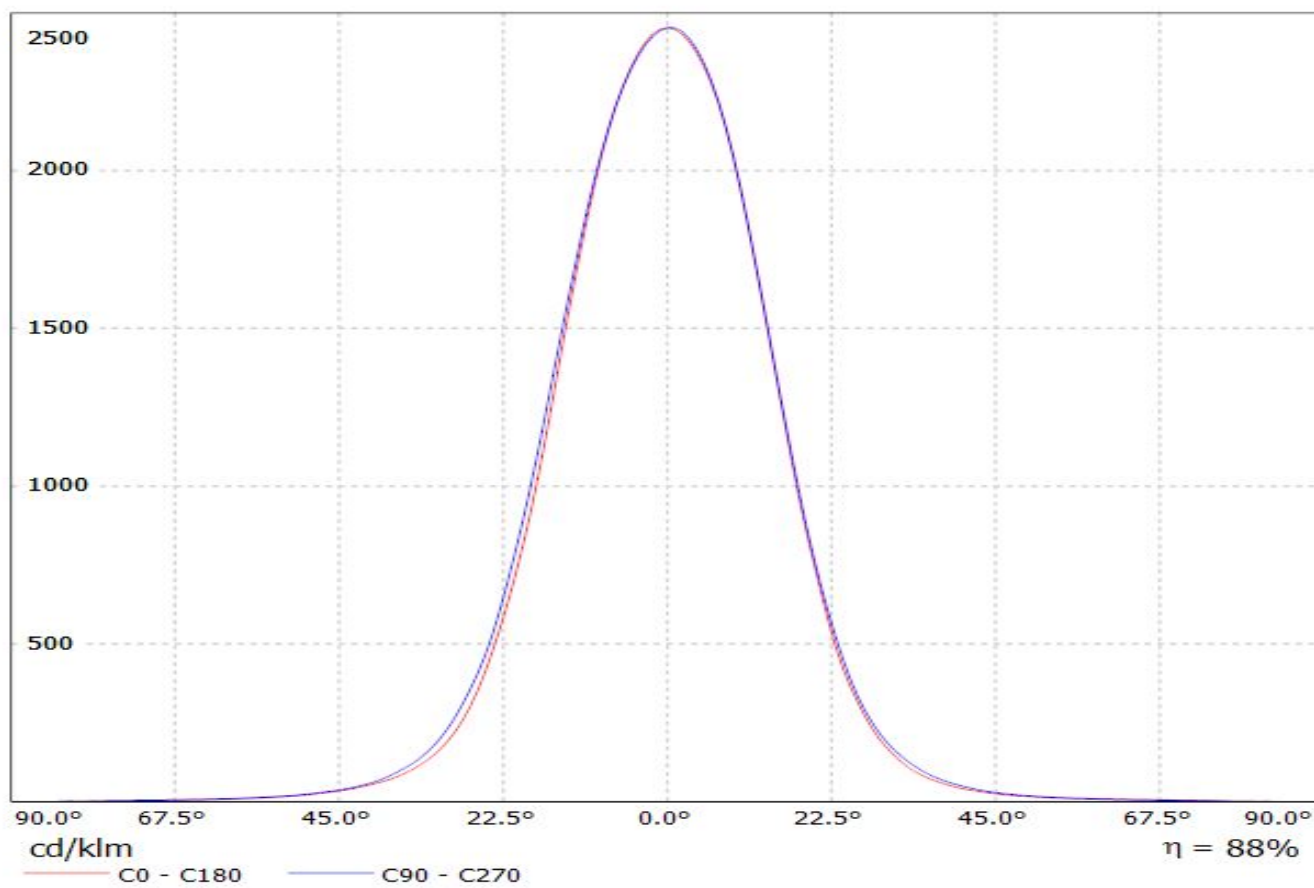
SCALE 2:1 WEIGHT (g)

SHEET 1/1

D

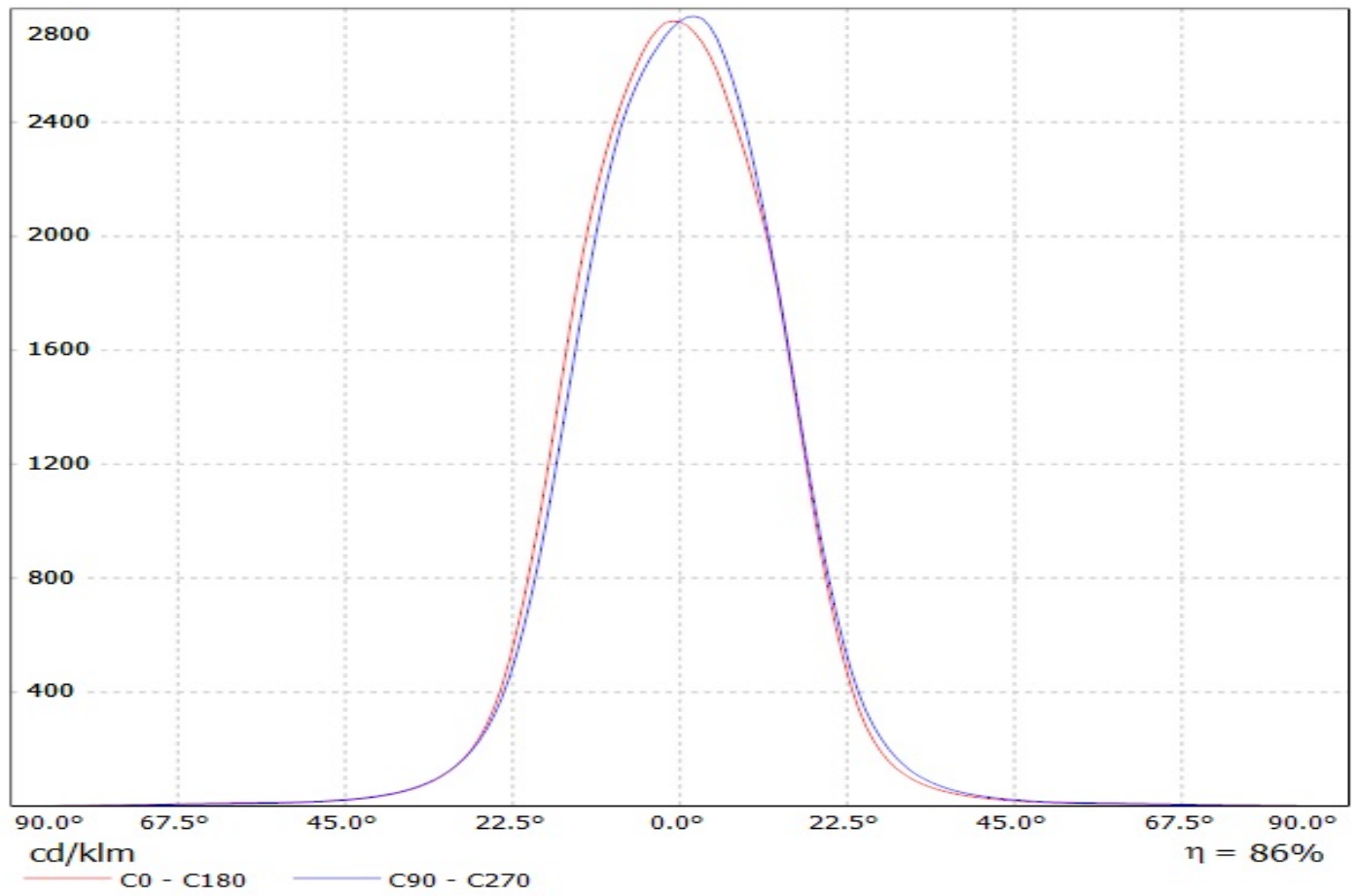
A

Luminaire: Ledil Oy CA12538_HEIDI-W_(XP-L) Efficiency=87%
Lamps: 1 x Cree XP-L 125lm @ 250mA CCT= P= I=0.72W



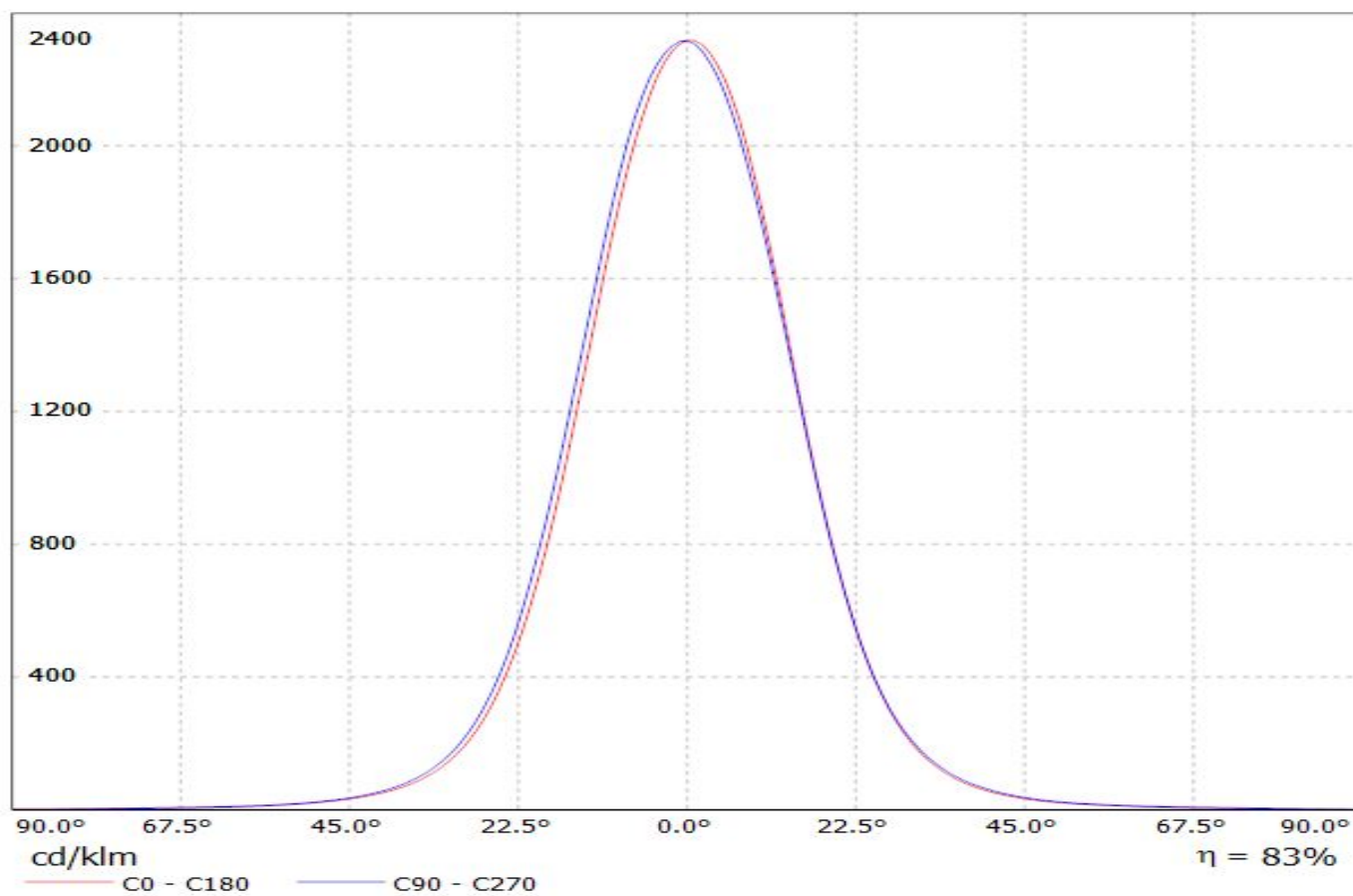
Luminaire: LEDiL Oy CA12538_HEIDI-W_(Luxeon_Rebel)

Lamps: 1 x Luxeon_Rebel_(LXM8-PW30)_61.9761lm@250mA_P=0.729_I=250mA

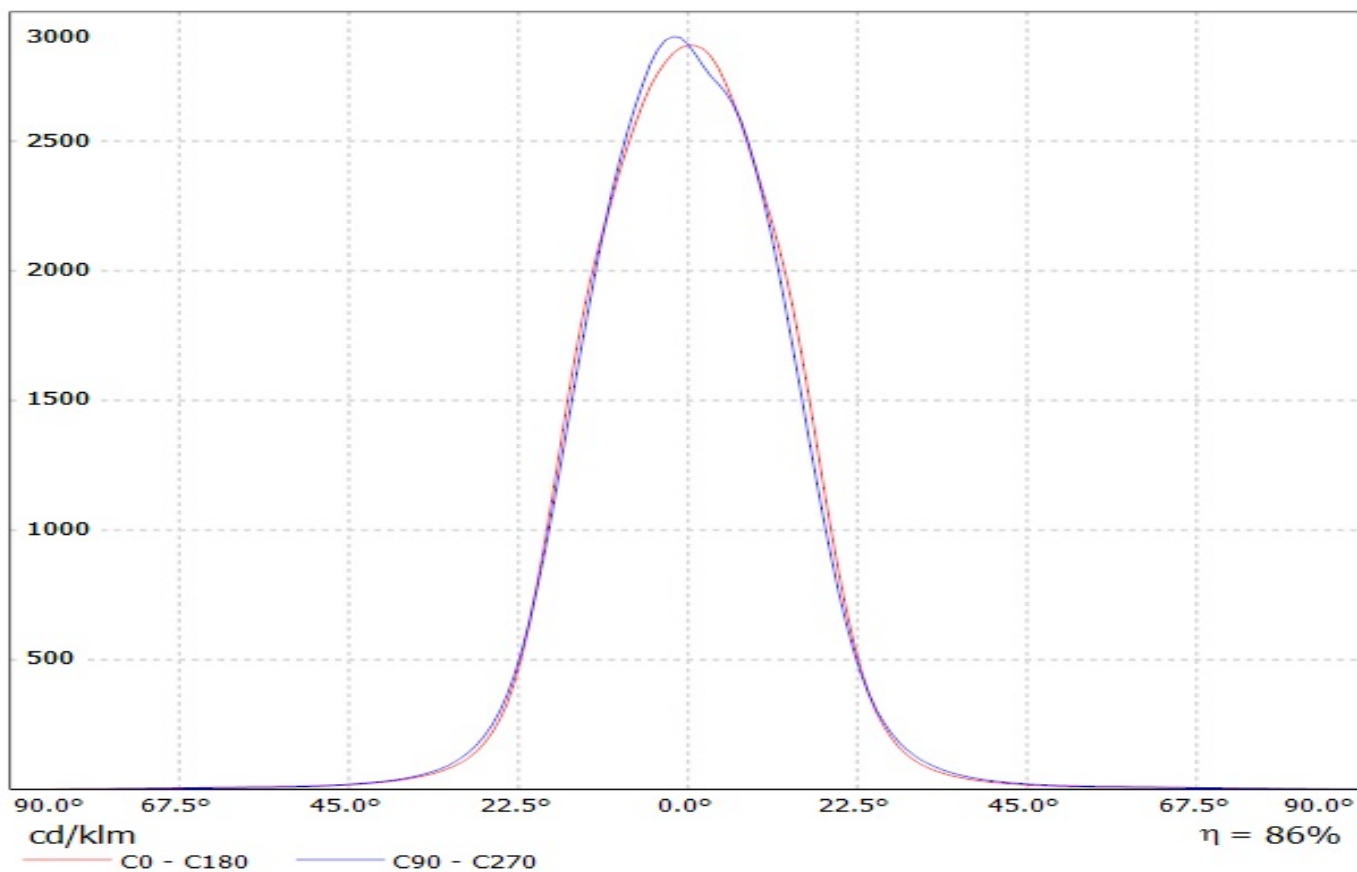


Luminaire: LEDiL Oy CA12538_HEIDI-W_(NWSL229AE)

Lamps: 1 x Nichia_NWSL229AE_120.537lm@250mA_P=0.7126W_I=0.250A

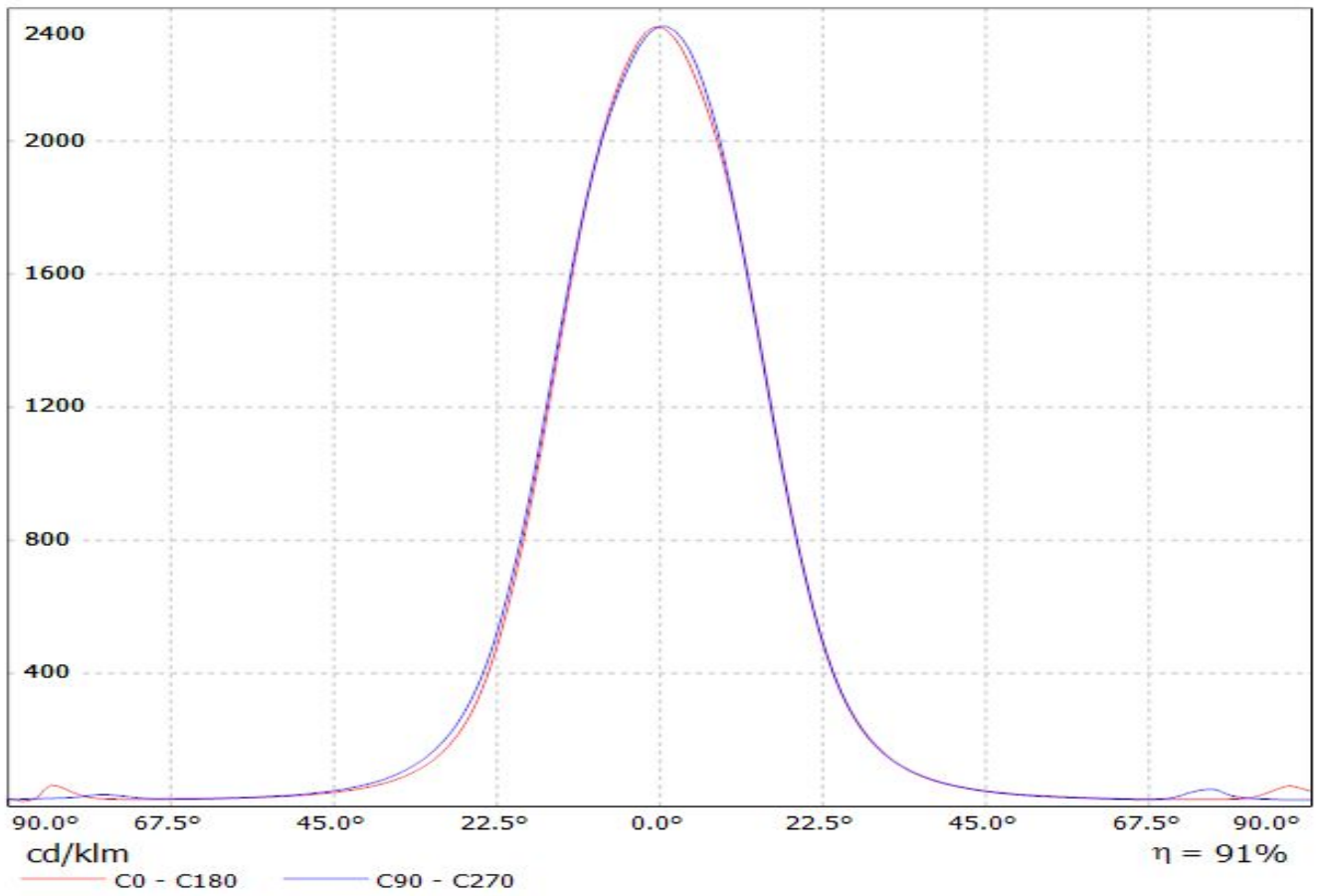


Luminaire: LEDiL Oy CA12538_HEIDI-W_(Oslon_SSL_150)
Lamps: 1 x Osram_Oslon_SSL_150_(LCW_CRUP_EC-KTLP-607Q-1)
_77.1485lm@250mA_P=0.744_I=250mA

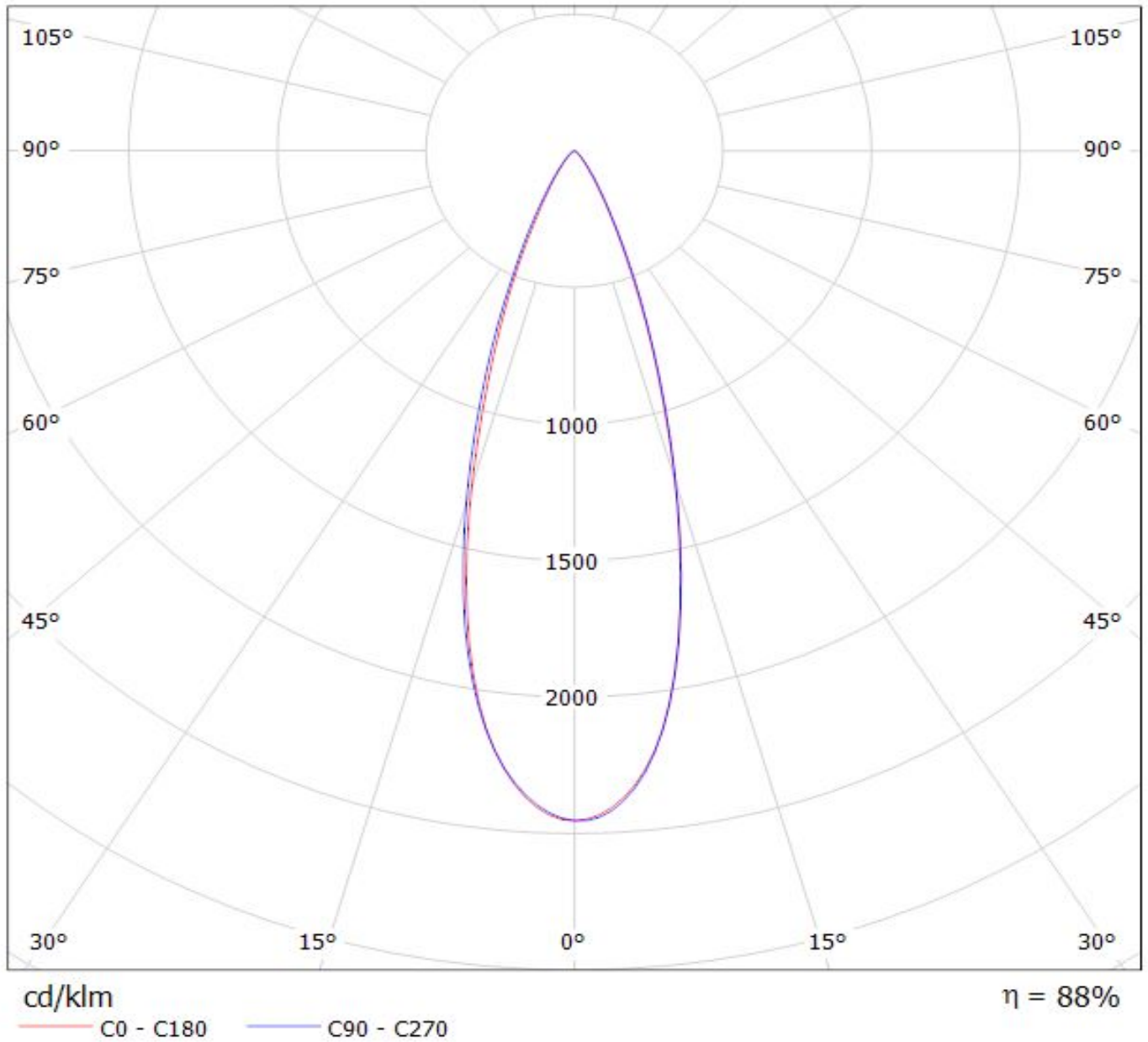


Luminaire: LEDiL Oy CA12538_HEIDI-W_(Z8Y22plus)

Lamps: 1 x Seoul_Z8Y22plus_(W6E2G)_125.652lm@250mA_P=0.69312W_I=0.250A

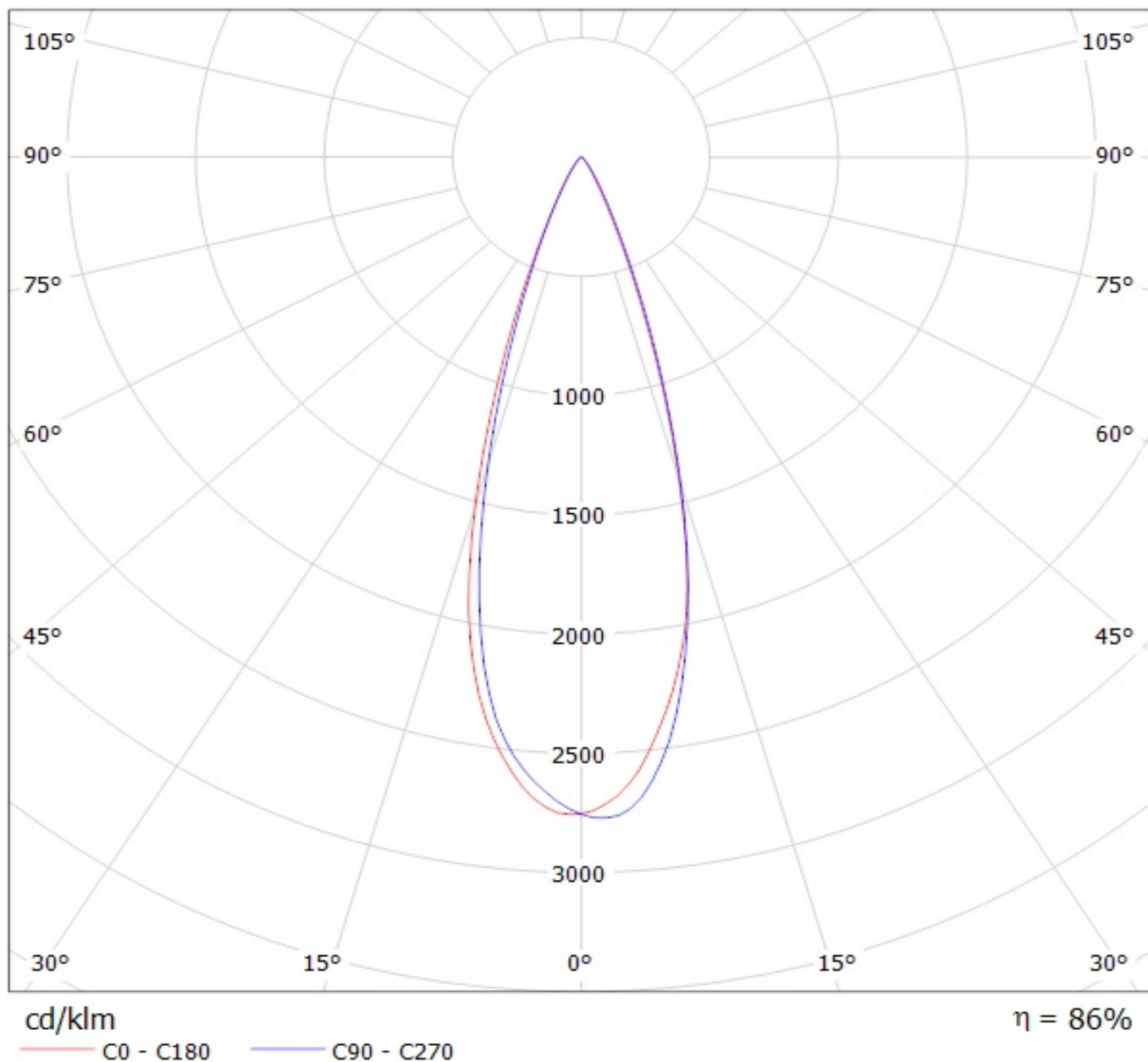


Luminaire: Ledil Oy CA12538_HEIDI-W_(XP-L) Efficiency=87%
Lamps: 1 x Cree XP-L 125lm @ 250mA CCT= P= I=0.72W



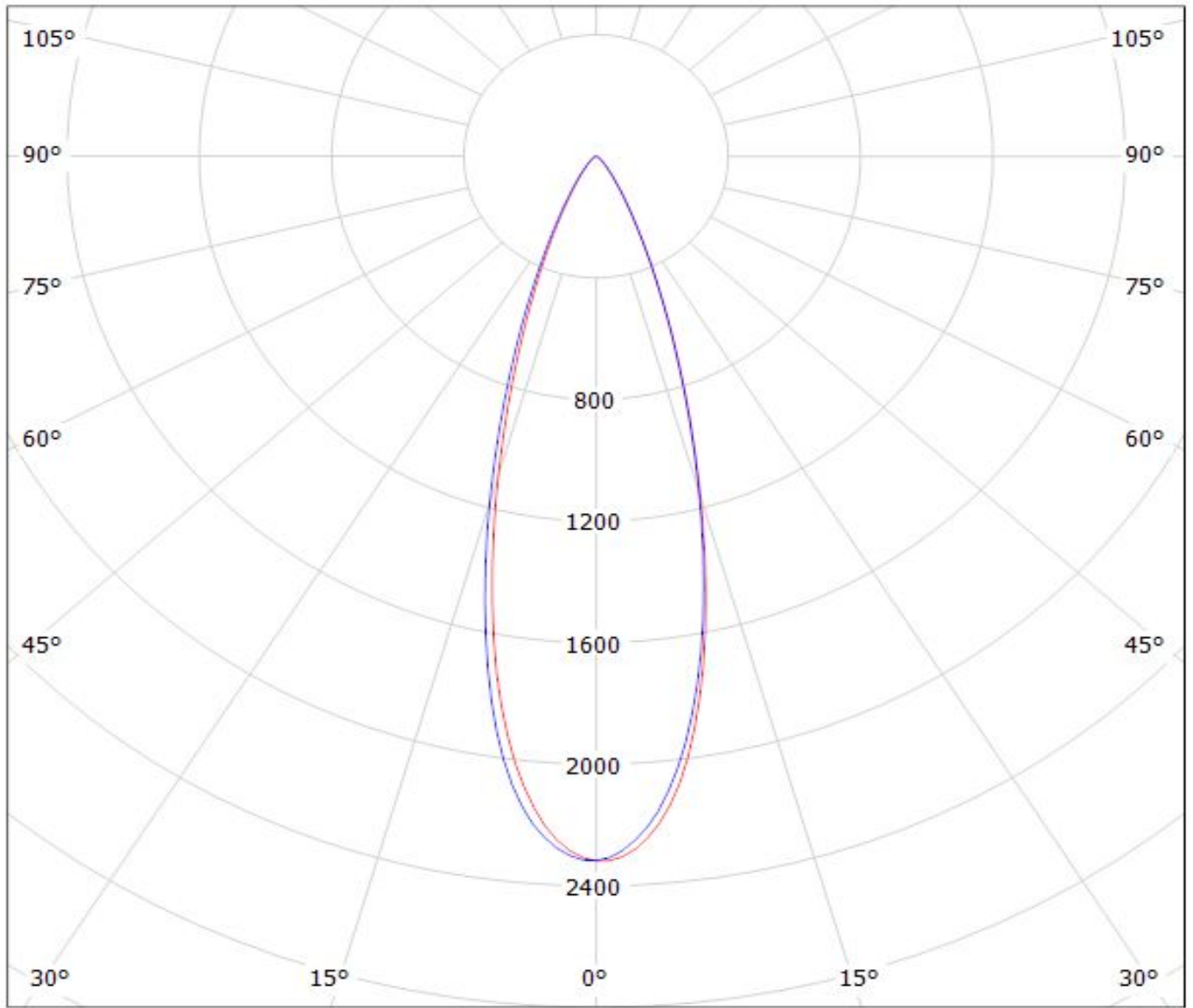
Luminaire: LEDiL Oy CA12538_HEIDI-W_(Luxeon_Rebel)

Lamps: 1 x Luxeon_Rebel_(LXM8-PW30)_61.9761lm@250mA_P=0.729_I=250mA



Luminaire: LEDiL Oy CA12538_HEIDI-W_(NWSL229AE)

Lamps: 1 x Nichia_NWSL229AE_120.537lm@250mA_P=0.7126W_I=0.250A



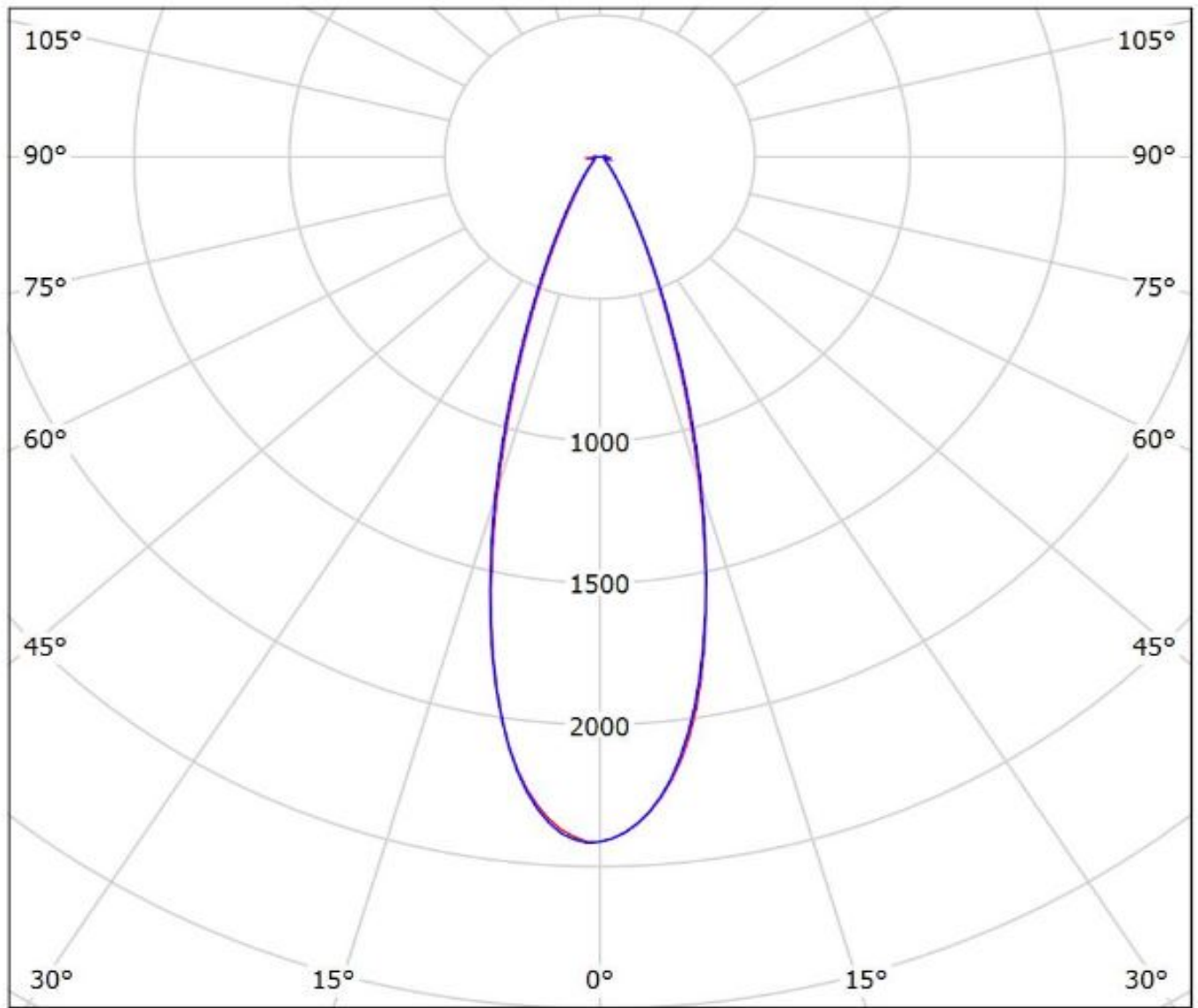
cd/klm

— C0 - C180 — C90 - C270

$\eta = 83\%$

Luminaire: Ledil CA12538_HEIDI-W_(NVSW319AE)

Lamps: 1 x Nichia_NVSW319AE_(sm405D440f2L2R70)_126.795lm@250mA_P=0.73515W_I=0.250A



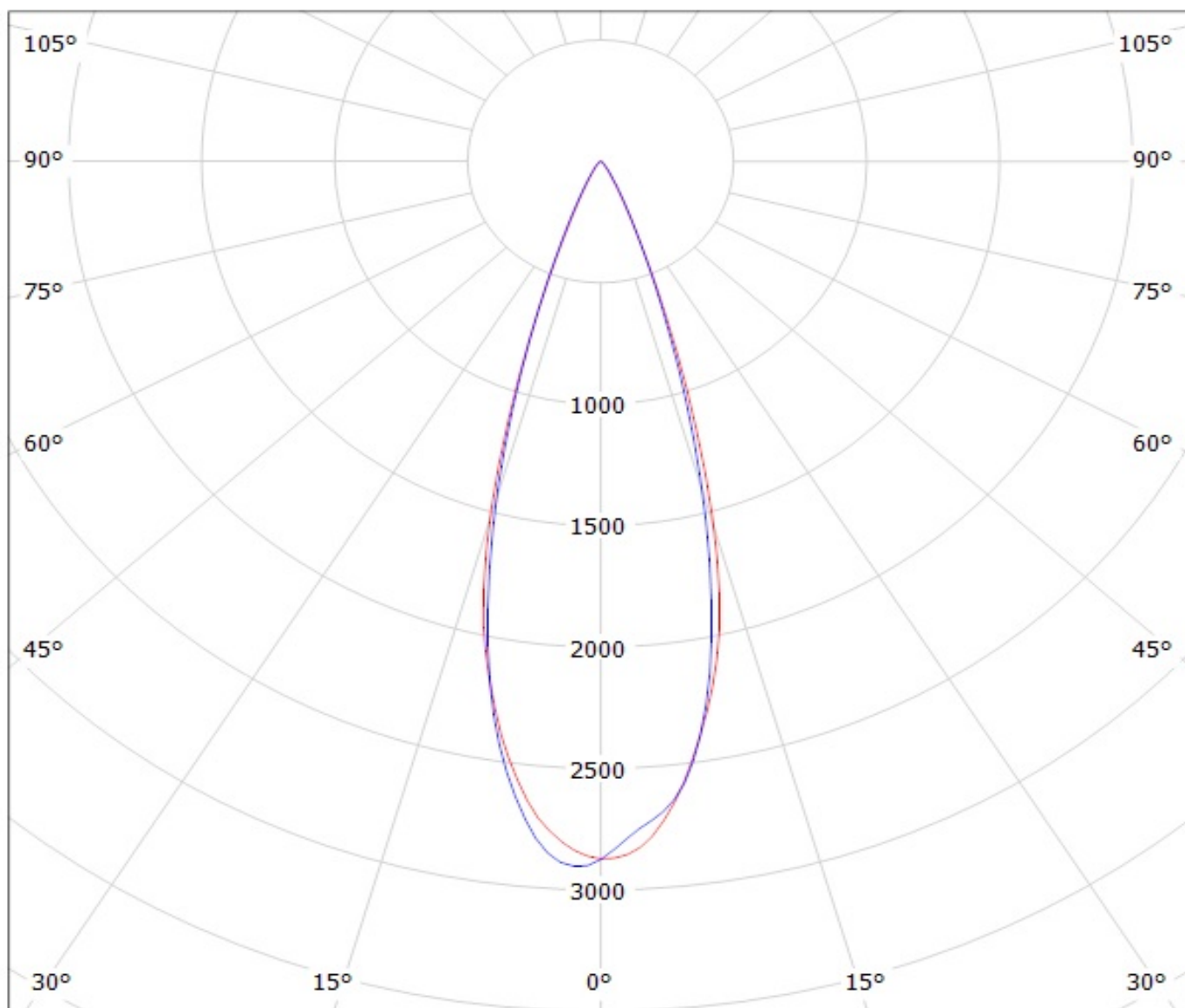
cd/klm

— C0 - C180

— C90 - C270

η = 90%

Luminaire: LEDiL Oy CA12538_HEIDI-W_(Oslon_SSL_150)
Lamps: 1 x Osram_Oslon_SSL_150_(LCW_CRUP.EC-KTLP-607Q-1)
_77.1485lm@250mA_P=0.744_I=250mA



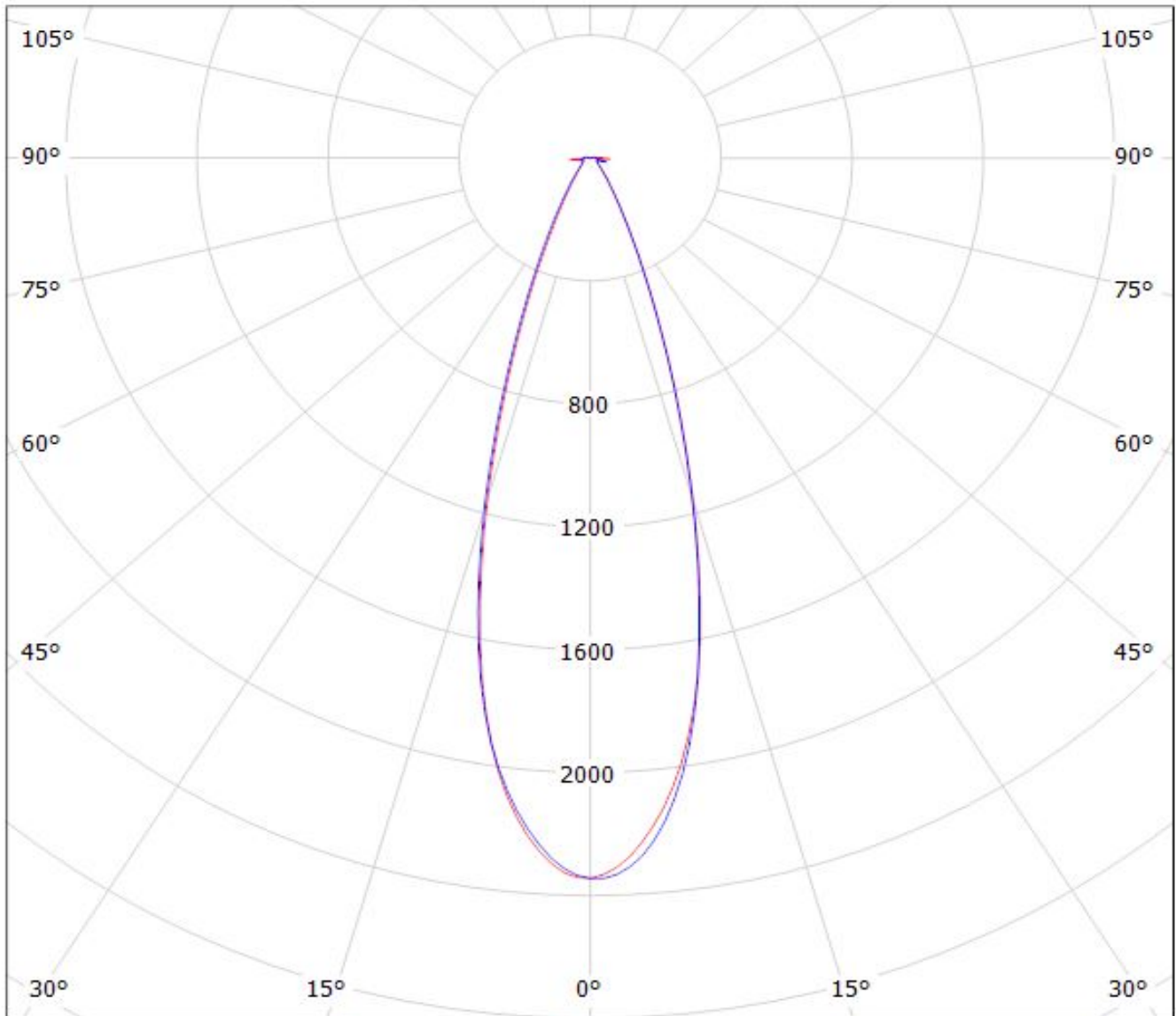
cd/klm

— C0 - C180 — C90 - C270

$\eta = 86\%$

Luminaire: LEDiL Oy CA12538_HEIDI-W_(Z8Y22plus)

Lamps: 1 x Seoul_Z8Y22plus_(W6E2G)_125.652lm@250mA_P=0.69312W_I=0.250A



cd/klm

$\eta = 91\%$

— C0 - C180 — C90 - C270

NOTE: The typical divergence will be changed by different color, chip size and chip position tolerance. The typical total divergence is the full angle measured where the luminous intensity is half of the peak value.