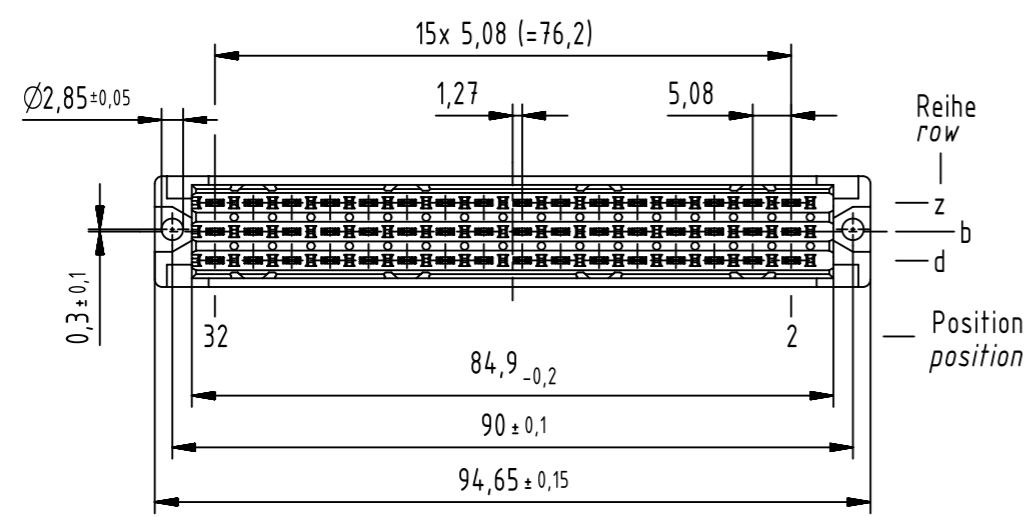
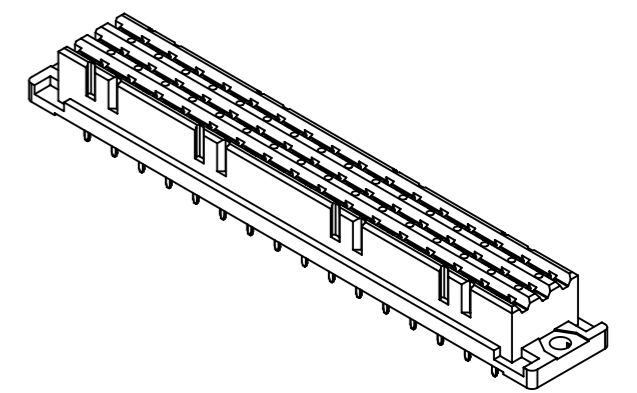
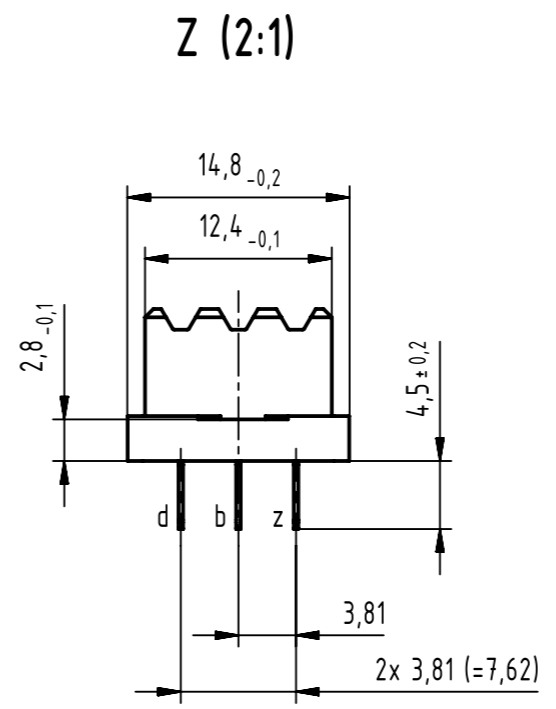
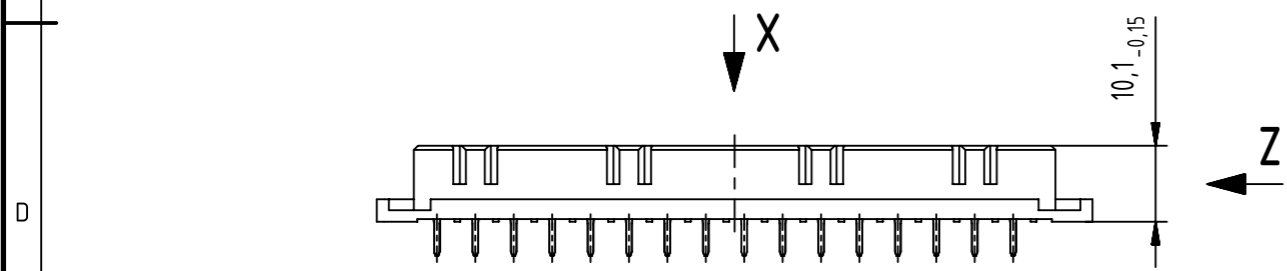


48 Einlötl Kontakte  
48 solder contacts

☒ = Kontaktposition belegt  
= position with contact  
□ = Kontaktposition nicht belegt  
= position without contact



1 weitere Informationen siehe: DS 09062100006  
further information see: DS 09062100006

09 06 248 6834	2
09 06 248 2834	1
Bestell-Nr. part-no.	Anforderungsstufe performance level 1

	All Dimensions in mm Original Size DIN A3	Scale 1:1	Free size tol. complementary IEC 60603-2	Ref. Sub. TB 0906248x834 Mod. 36516 08.05.12		
	All rights reserved Department EC PD - DE	Created by LEHNERT	Inspected by LUECKEMEIERM	Standardisation HOFFMANN	Date 2013-05-13	State Final Release
HARTING Electronics GmbH D-32339 Espelkamp		Title DIN Power type F low-prof. fem. solder			Doc-Key / ECM-Nr. 100205271/UGD/024/B 50000061876	
		Type TB	Number 0906248X834		Rev. B	Page 1/1