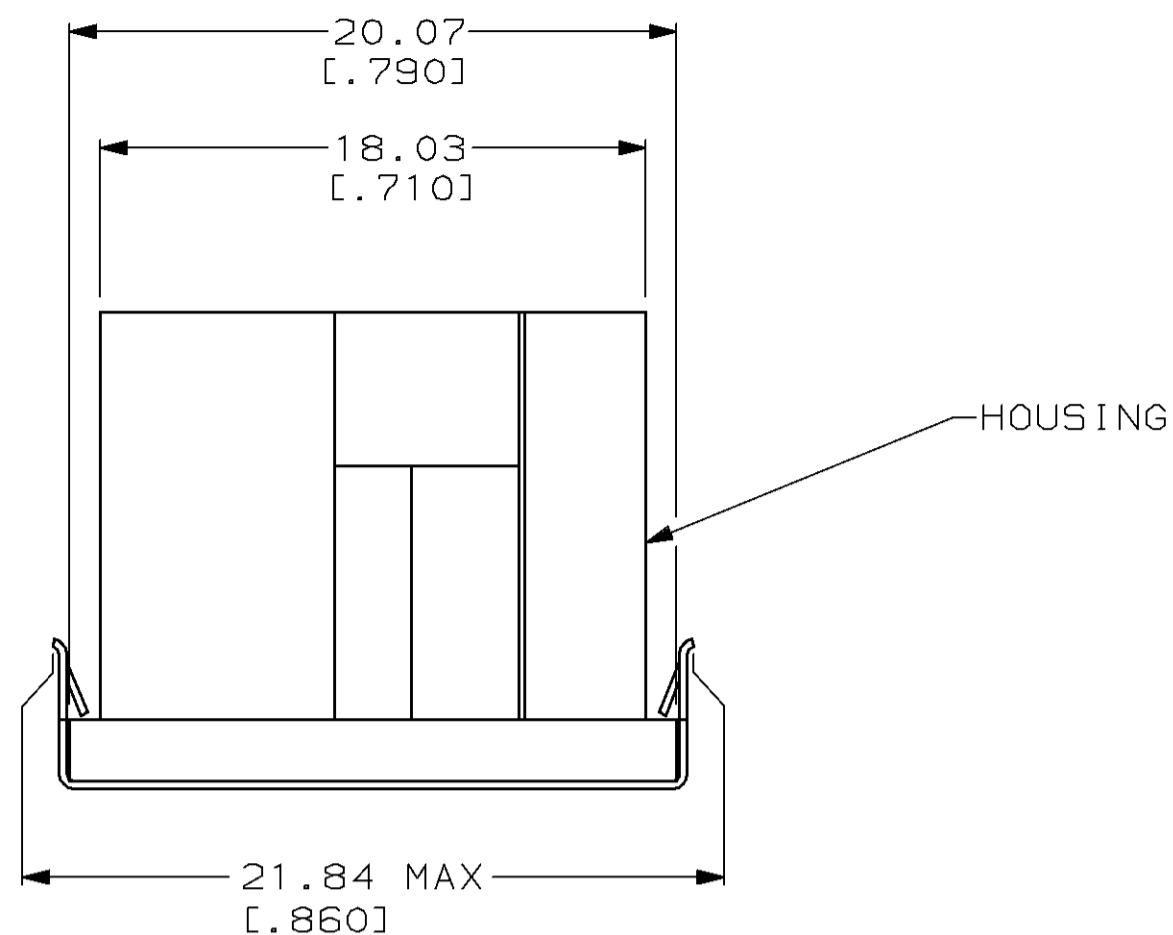
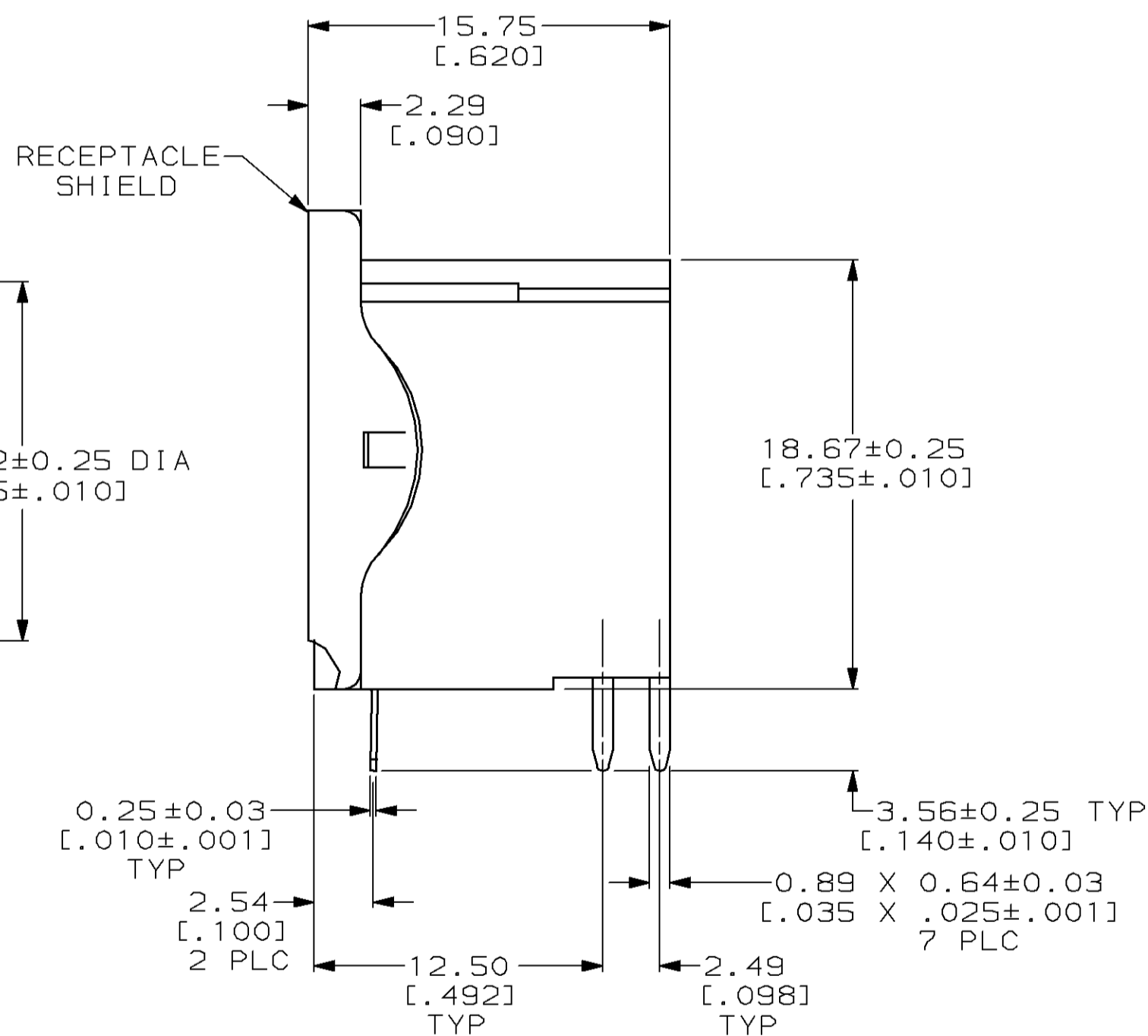
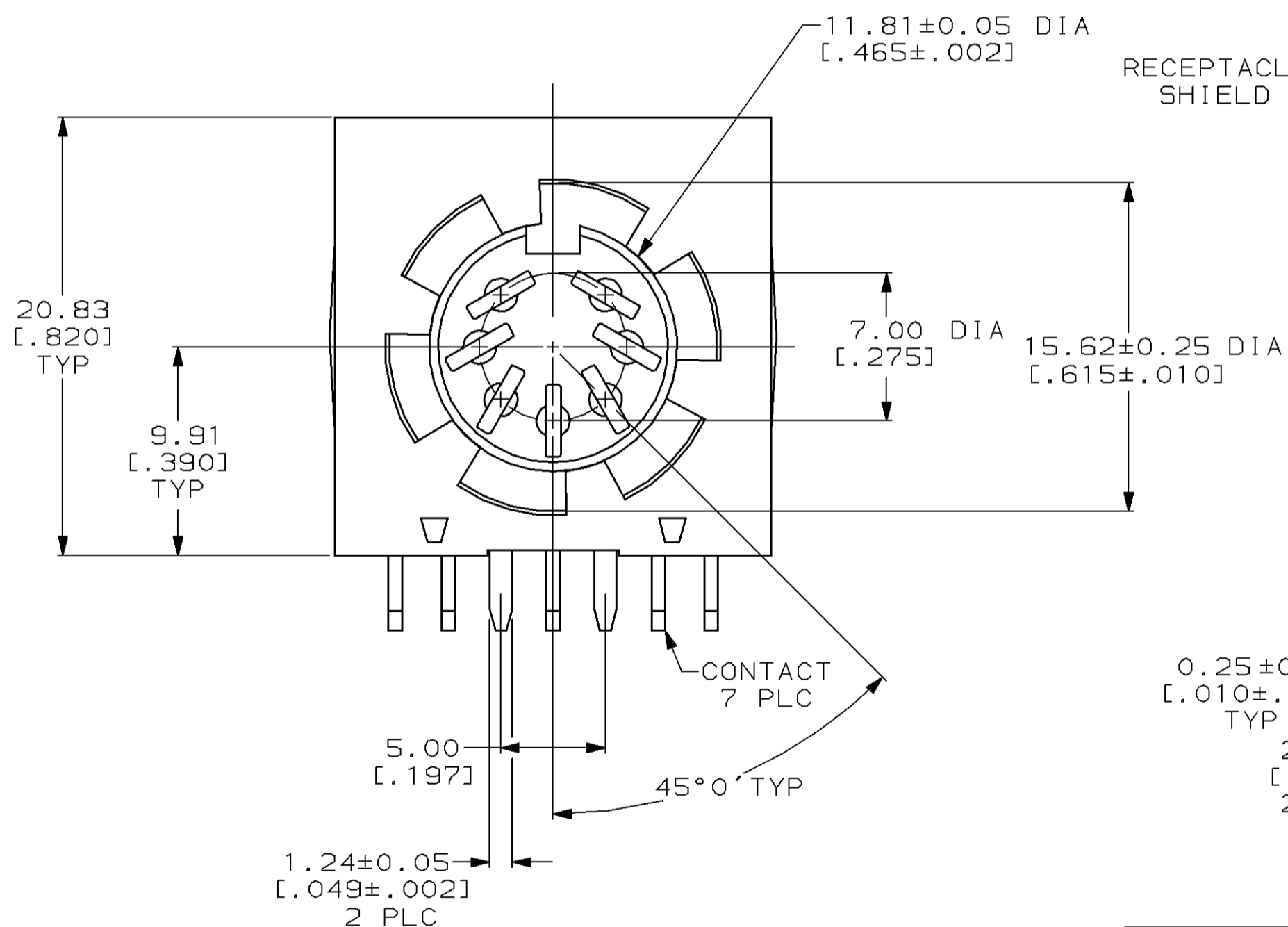


THIS DRAWING IS UNPUBLISHED. RELEASED FOR PUBLICATION .19 .  
 © COPYRIGHT 19 BY AMP INCORPORATED. ALL INTERNATIONAL RIGHTS RESERVED.

LOC	DIST	P	F	ZONE	LTR	DESCRIPTION	DATE	APPD
BD	20				E	REDRAWN	8/14/91	-
					F	REV PER EC0020-1394-93	12/20/93	SK



- ① NYLON, UL 94V-0 RATED, BLACK.
- ② 2.54µm [.000100] MIN TIN-LEAD OVER 1.27µm [.000050] MIN NICKEL.
- ③ TIN PLATING PER MIL-T-10727, NICKEL PLATING PER QQ-N-290.
- 4. MATES WITH 7 POSITION SHIELDED DIN PLUG 211505.
- ⑤ BRASS PER ASTM B36.



212046  
 212046-1  
 PART NUMBER

DO NOT SCALE PRINT. UNLESS SPECIFIED DIMENSIONS IN mm [INCHES] TOLERANCES ON: 2 PLC DEC ± 0.13 [.005] 3 PLC DEC ± ANGLES ± 0°30'	DR 8/14/91 A. STAUB BG	AMP Incorporated Harrisburg, PA 17105-3608
	CHK 11/22/91 J. MCCLINTON	
MATERIAL FINISH: ① CONTACTS: ⑤ RECEPTACLE SHIELD: ⑤	APPD 11/22/91 D. ROCKER	NAME
	APPD 11/22/91 C. ROHDE	RECEPTACLE ASSY, RIGHT ANGLE, SHIELDED, 7 POSITION, CIRCULAR DIN
FINISH HOUSING: ③ CONTACTS: ② RECEPTACLE SHIELD: ②	PRODUCT SPEC 108-10047	SIZE
	APPLICATION SPEC 114-40025	CAGE CODE 00779
WEIGHT -	SCALE 4:1	DRAWING NO 212046
		SHEET 1 OF 1