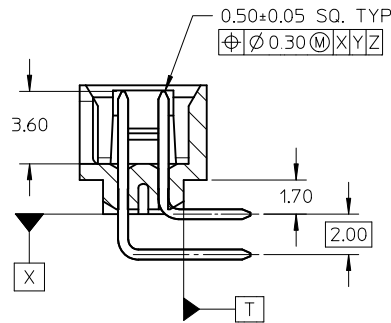
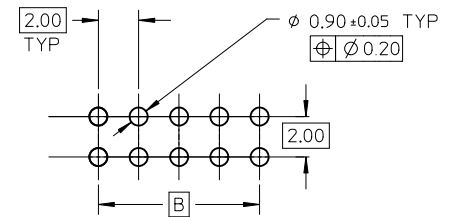


REF: ORIENTATION OF PART IN TUBE
(FOR THE REFERENCE OF PART/TUBE ASSEMBLY)



SECTION G-G

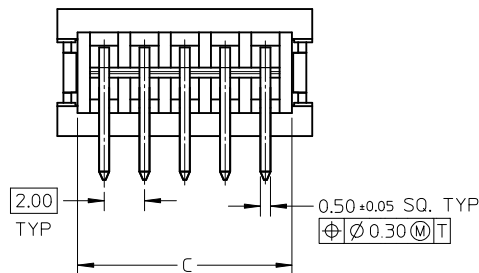
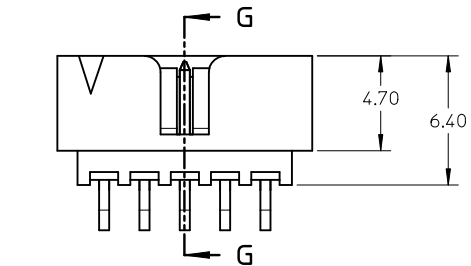
PART NO.	CKT SIZE	VOID PIN LOCATION	A	B	C	D	P
78046-0420	4	-	6.65	2.00	4.63	4.85	2.16
78046-0620	6	-	8.65	4.00	6.63	6.85	
78046-0820	8	-	10.65	6.00	8.63	8.85	
78046-1020	10	-	12.65	8.00	10.63	10.85	
78046-1021	10	7					
78046-1023	10	8					
78046-1220	12	-	14.65	10.00	12.63	12.85	



RECOMMENDED PCB PATTERN

NOTES:

- FOR ILLUSTRATION PURPOSES, 10 CIRCUIT SIZE WAFER IS SHOWN.
- MATERIAL :
HOUSING : NYLON 46, UL94V-0, COLOR : BLACK
PIN : 0.50MM SQ. PHOSPHOR BRONZE.
- PLATING : 0.38µm/15µm GOLD IN CONTACT AREA AND 1.88µm/75µm MIN. TIN IN SOLDER TAIL AREA OVER 1.27µm/50µm MIN. NICKEL OVERALL.
- PRODUCT SPECIFICATION PS-87831-027 APPLIES.
- THIS HEADER MATES WITH MOLEX:
- CRIMP RECEPTACLE HOUSING, 78045 SERIES
WITH CRIMP TERMINAL, 50394 SERIES.



OBS P/N REMOVED EC NO: S2012-0768 DRWN:CD 2012/04/24 CHKD:MLONG 2012/06/05 APPR:MLONG 2012/06/05	QUALITY SYMBOLS ▽=0 ∇=0	GENERAL TOLERANCES (UNLESS SPECIFIED)		DIMENSION STYLE MM ONLY		SCALE NTS	DESIGN UNITS METRIC	THIRD ANGLE PROJECTION		
			mm	INCH	DRAWN BY SKANG	DATE 2006/05/16	TITLE MGRID, SHROUDED HEADER W/SLOT AND SIDE LOCKS R/A			
		4 PLACES	± ---	± ---	CHECKED BY MLONG	DATE 2006/06/05	MOLEX MOLEX INCORPORATED			
		3 PLACES	± ---	± ---	APPROVED BY SKTOH	DATE 2006/06/09	MATERIAL NO.	DOCUMENT NO. SD-78046-001	SHEET NO. 1 OF 1	
		ANGULAR ± 3 °		DRAFT WHERE APPLICABLE MUST REMAIN WITHIN DIMENSIONS		THIS DRAWING CONTAINS INFORMATION THAT IS PROPRIETARY TO MOLEX INCORPORATED AND SHOULD NOT BE USED WITHOUT WRITTEN PERMISSION				