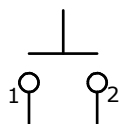


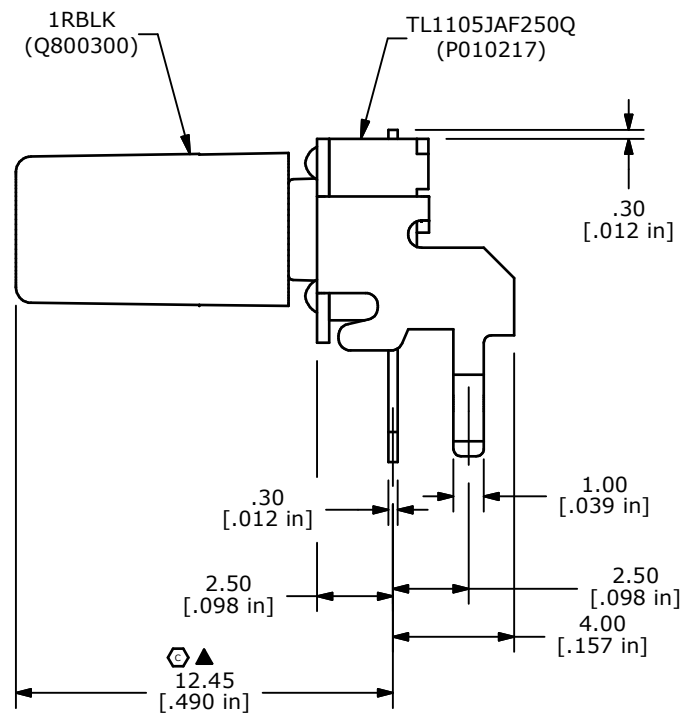
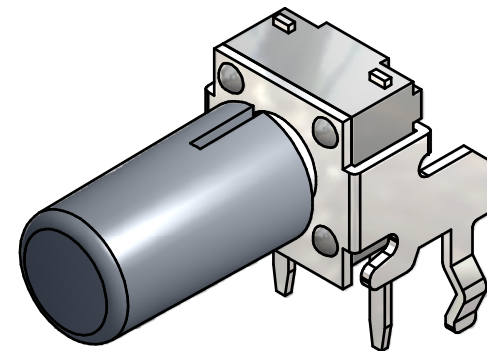
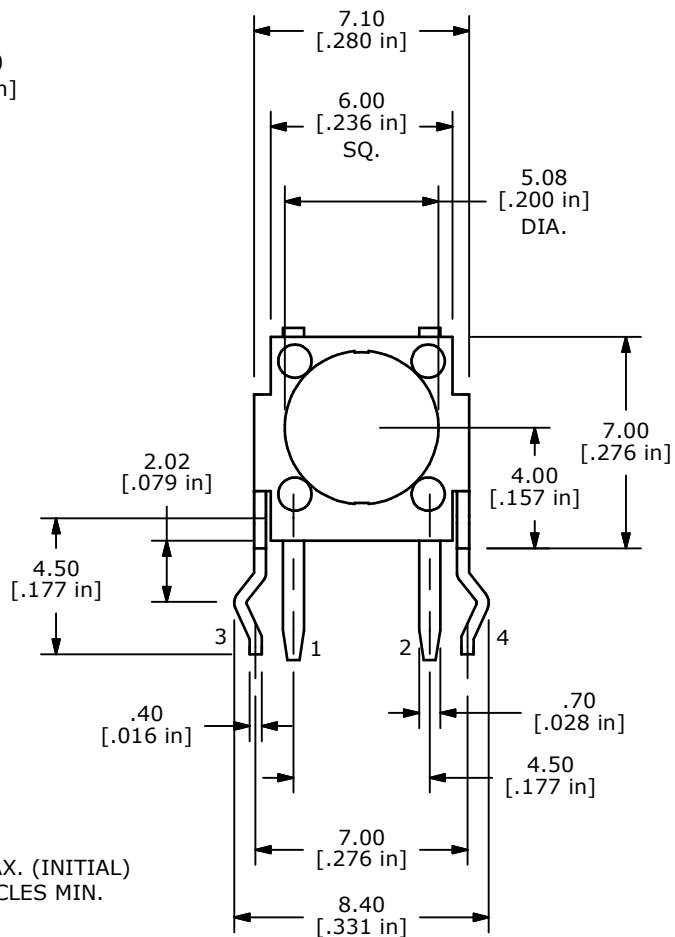
PCB MOUNTING



CIRCUIT DIAGRAM: SPST

NOTES:

1. ALL DIMENSIONS IN mm [INCH].
2. GENERAL TOLERANCE: X.X=±0.4
X.XX=±0.25
3. TERM. NOS. FOR REFERENCE ONLY.
4. RATING: 50mA @ 12VDC
- ▲5. OPERATING FORCE: 250±50 gms
6. TRAVEL: 0.25+0.20/-0.10 mm
7. CONTACT RESISTANCE: 100 MILLI-OHMS MAX. (INITIAL)
8. MECHANICAL/ELECTRICAL LIFE: 100,000 CYCLES MIN.
- ▲9. CONTACTS: SILVER
10. ▲DENOTES CRITICAL PARAMETER.
11. 2002/95/EC (ROHS) COMPLIANT.



D	20600	ADDED TERMINAL NUMBERS	05/10/12	drg
C	18616	12.45 WAS 12.09	8/11/09	rc
B	16475	Q800300 WAS A800300	9/20/06	TN
REV	PCR NO	DESCRIPTION	DATE	BY

THE INFORMATION CONTAINED IN THIS DOCUMENT IS PROPRIETARY TO E-SWITCH AND IS NOT TO BE COPIED OR TRANSFERRED



TITLE TL1105JAF250Q1RBLK

DATE	9/20/2006	DR	TN	DWG	XP0209A	REV	D
------	-----------	----	----	-----	---------	-----	---