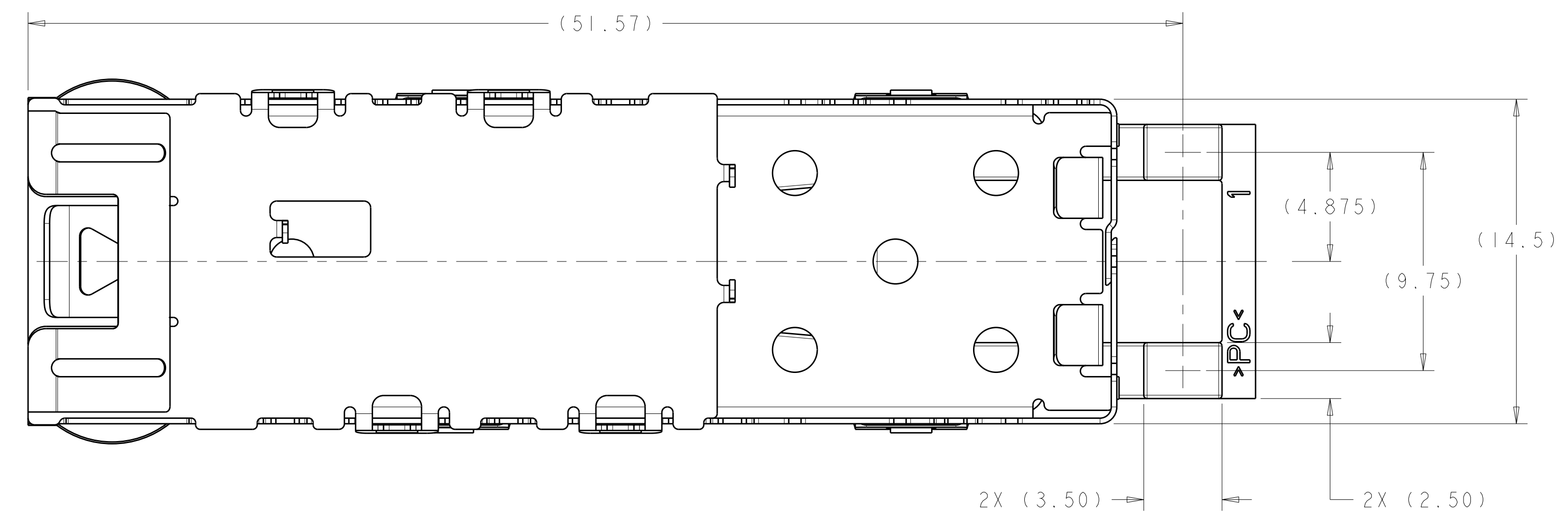
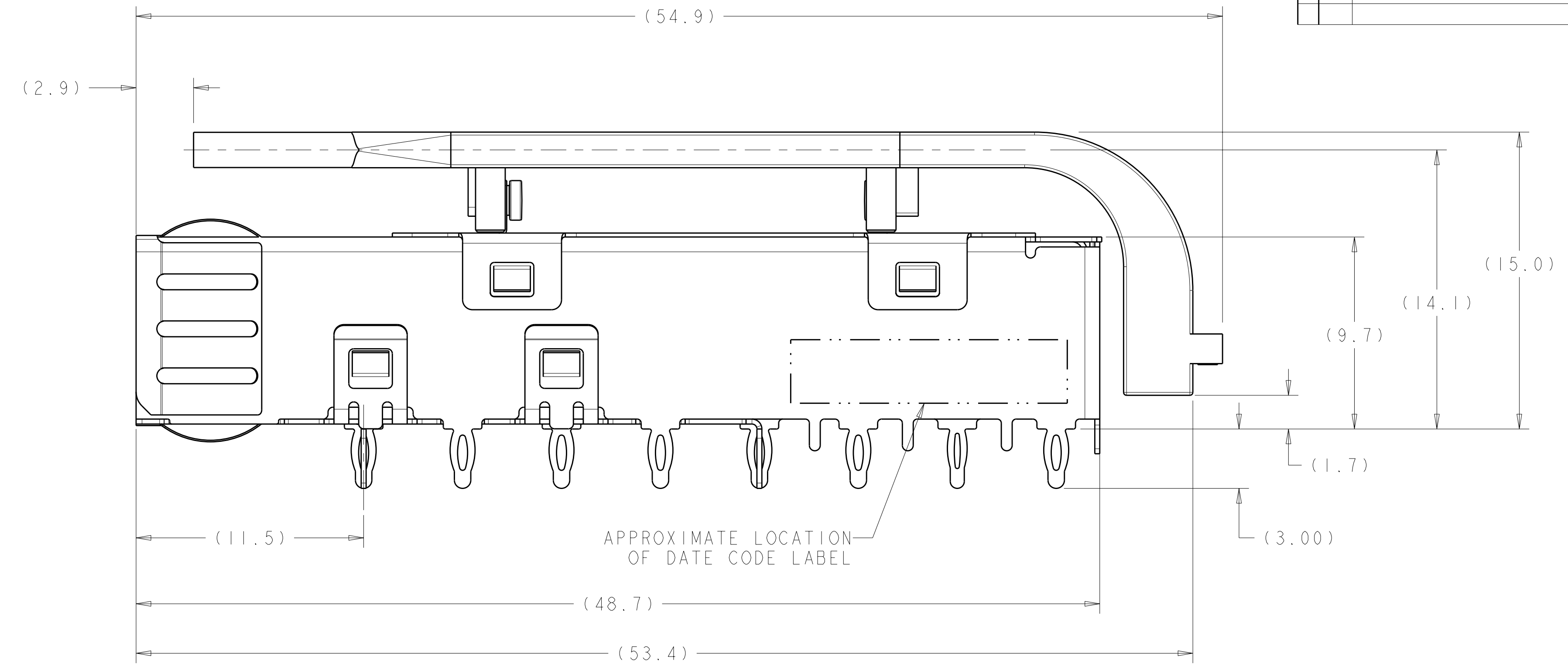
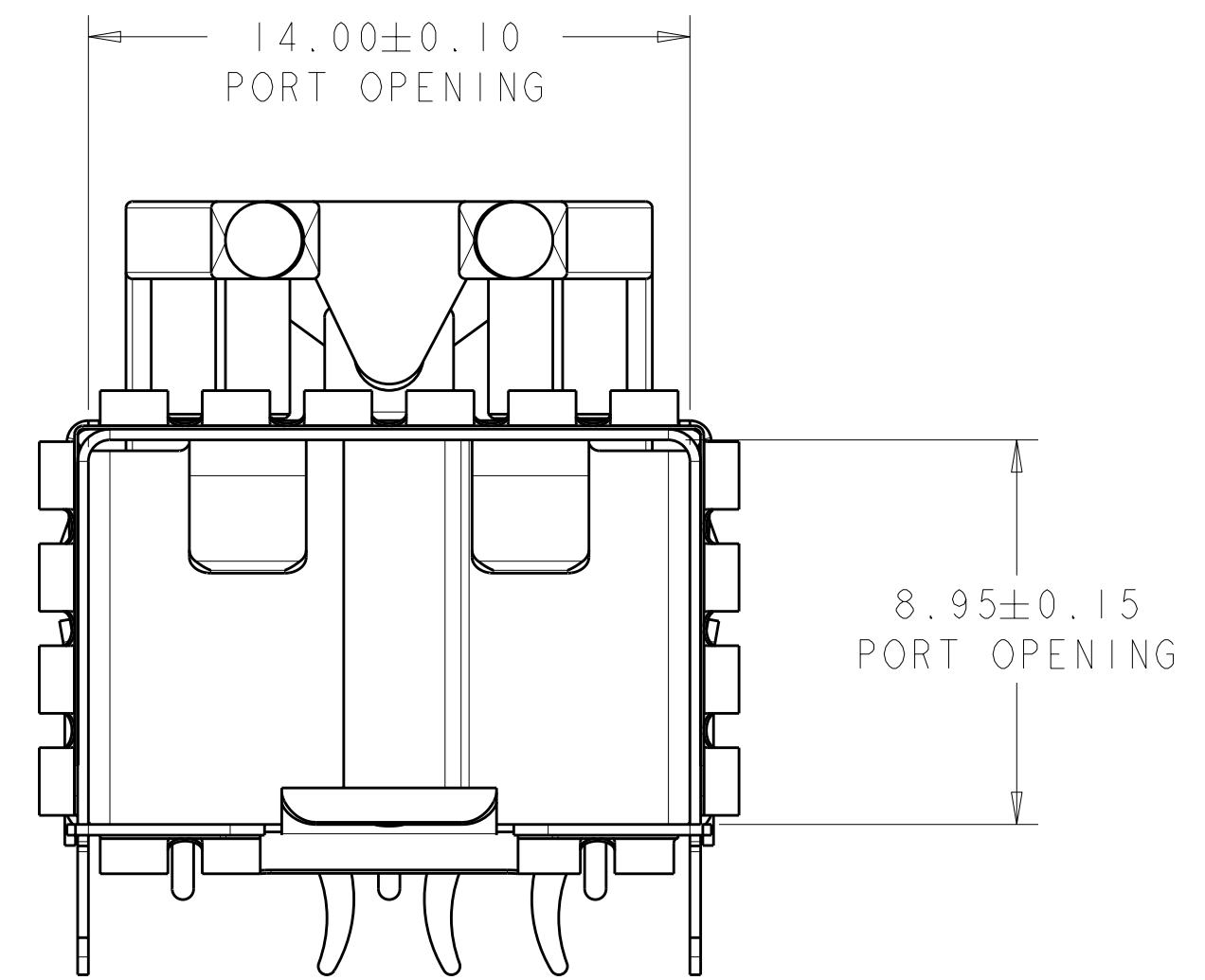
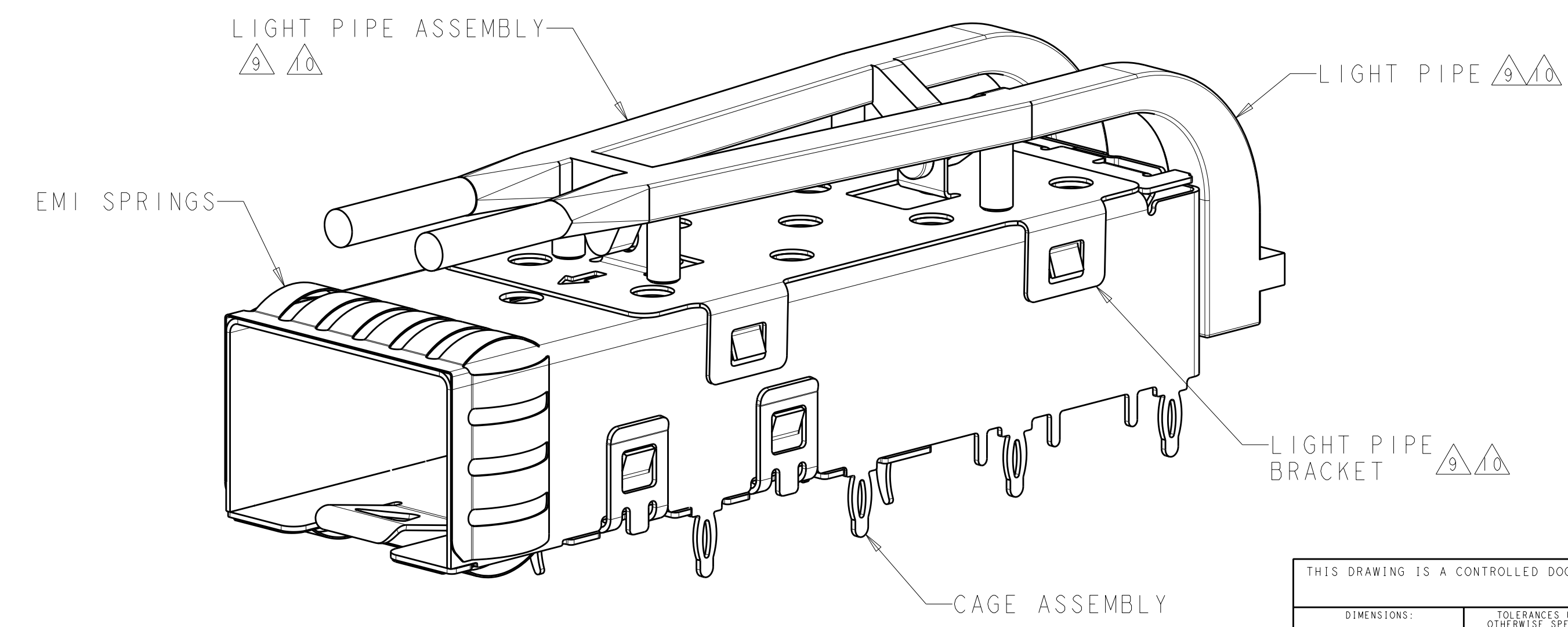


LOC	DIST	REVISIONS				
GP	00	REV	DESCRIPTION	DATE	DWN	APVD
		A	INITIAL RELEASE	20MAY2011	TX	CW
		B	REVISED PER ECO-11-019224	30JAN2012	TX	AC



- ⚠ MATERIAL:
 CAGE ASSEMBLY - 0.25 THICK NICKEL-SILVER ALLOY.
 EMI SPRINGS - COPPER ALLOY.
 LIGHT PIPE - POLYCARBONATE, CLEAR.
 LIGHT PIPE BRACKET - STAINLESS STEEL.
- ⚠ FINISH:
 EMI SPRINGS - 0.8µm MIN MATTE TIN OVER 0.8µm MIN NICKEL
 NON-PLATED EDGES PERMISSIBLE.
- 3. MATES WITH SFP MSA COMPLIANT TRANSCEIVERS.
- ⚠ PADS AND VIAS CHASSIS GROUND.
- ⚠ DATUM AND BASIC DIMENSION ESTABLISHED BY CUSTOMER.
- 6. MINIMUM PC BOARD THICKNESS:
 SINGLE SIDED: 1.50mm
 DOUBLE SIDED: 3.00mm
- ⚠ REFERENCE APPLICATION SPEC. 114-13120, HOLE A, FOR
 RECOMMENDED DRILL HOLE DIAMETER AND PLATING THICKNESS.
- ⚠ REFERENCE APPLICATION SPEC. 114-13120, HOLE C, FOR
 RECOMMENDED DRILL HOLE DIAMETER AND PLATING THICKNESS.
 INTO PCB PRIOR TO ATTACHING THE LIGHTPIPE ASSEMBLY
 TO THE CAGE.
- ⚠ LIGHT PIPE ASSEMBLY SHIPPED UNASSEMBLED TO CAGE ASSEMBLY.
 CAGE ASSEMBLY TO BE PRESSED INTO PCB PRIOR TO ATTACHING
 THE LIGHT PIPE ASSEMBLY TO THE CAGE.
- ⚠ LIGHT PIPE AND LIGHT PIPE BRACKET SHIPPED ASSEMBLED.



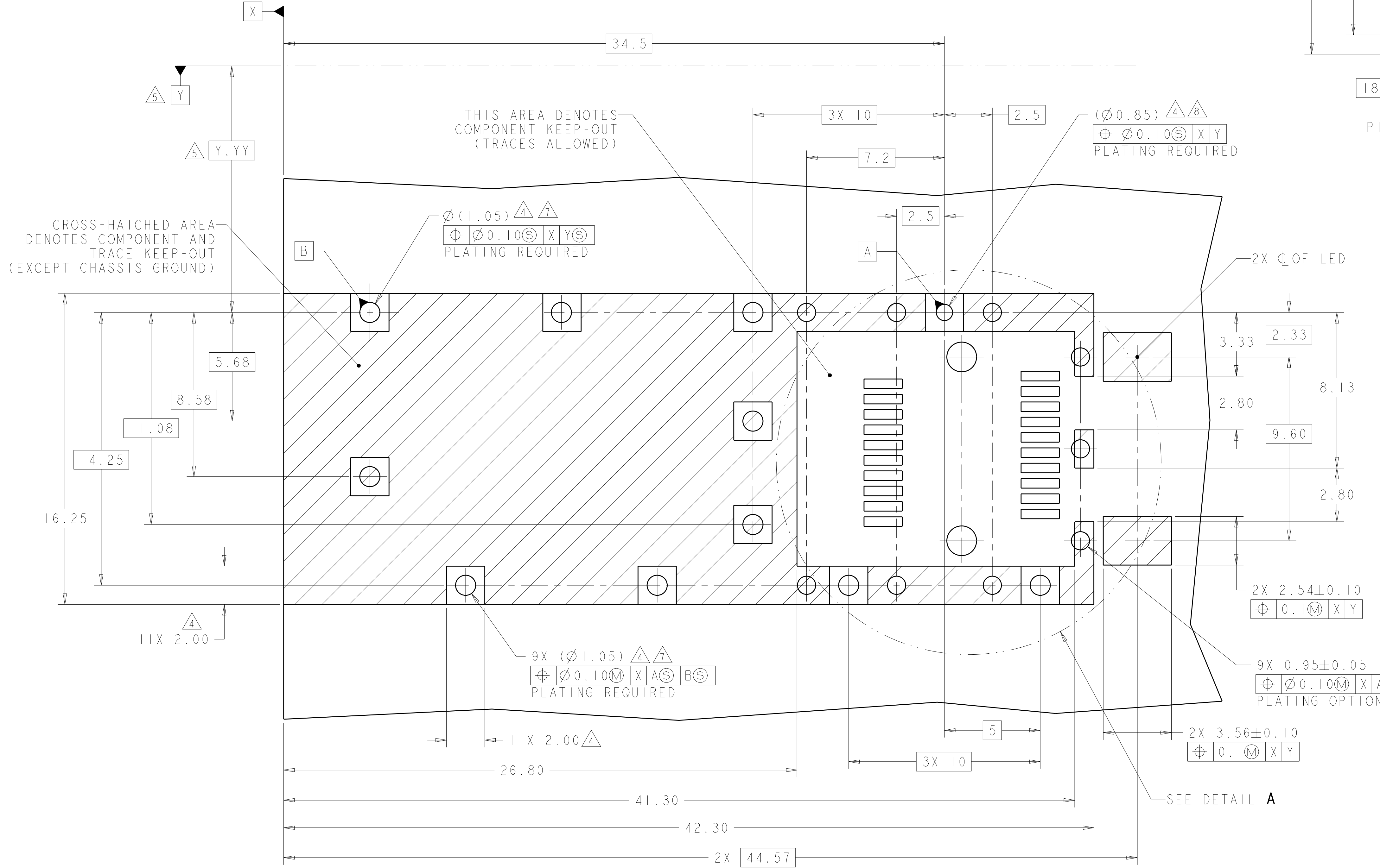
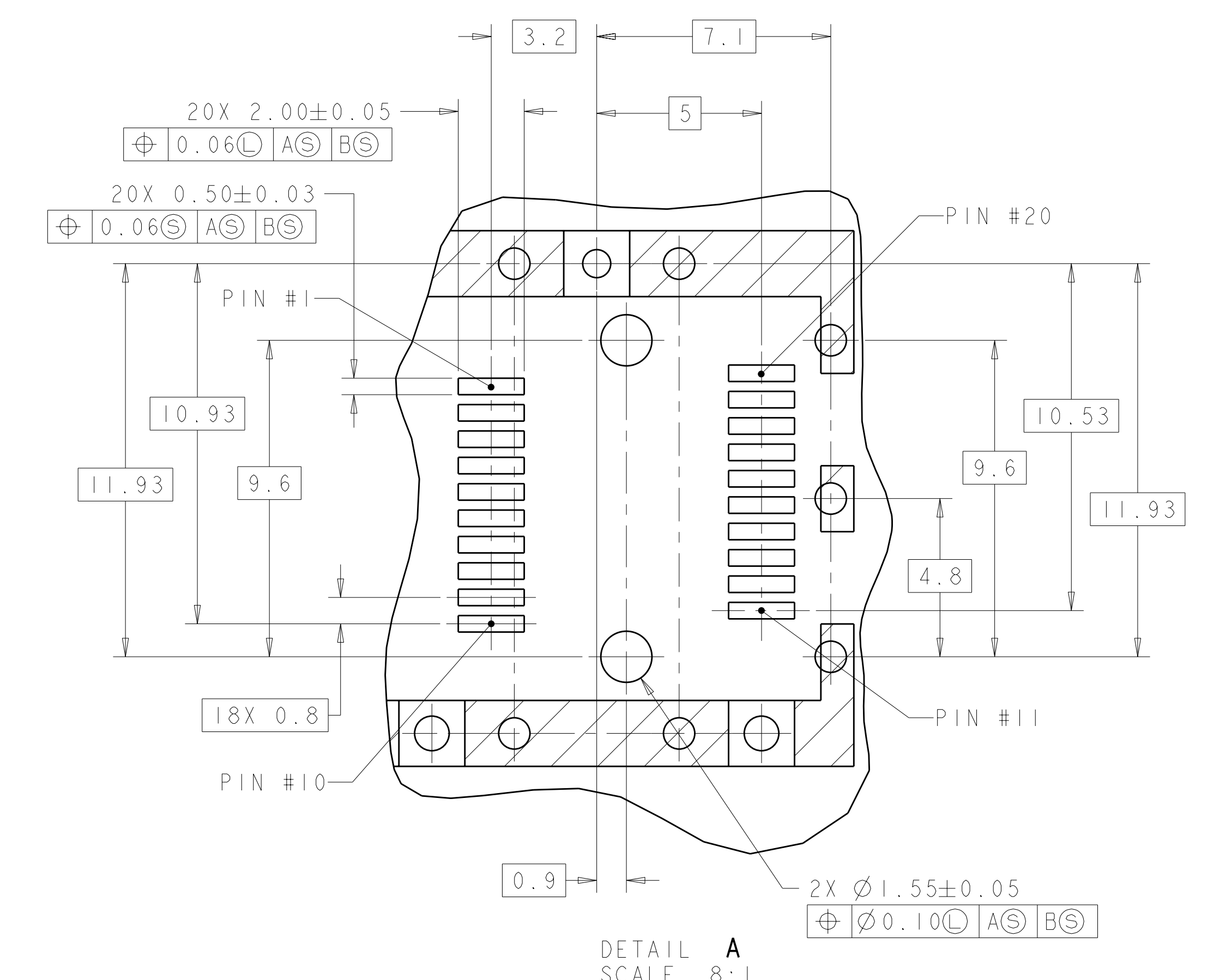
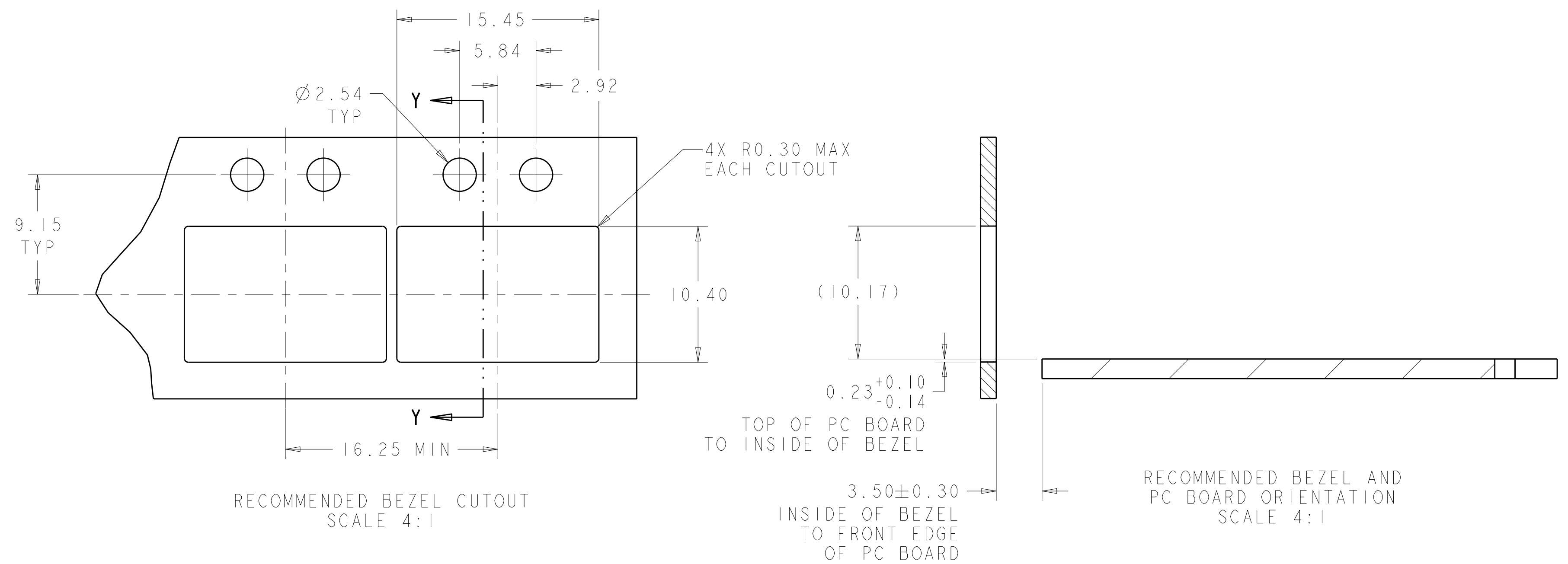
2110929-1
 SCALE 5:1

2110929-1
 PART
 NUMBER

THIS DRAWING IS A CONTROLLED DOCUMENT.		DWN Z. M. BEAM 31AUG2009	TE Connectivity	
DIMENSIONS: mm		CHK M. R. SCHMITT 31AUG2009		
TOLERANCES UNLESS OTHERWISE SPECIFIED: 9 PLC ±0.1 3 PLC ±0.1 5 PLC ±0.1 4 PLC ±0.05 ANGLES ±0.05		APVD R. H. WERTZ 31AUG2009	NAME SFP+ 1X1 CAGE ASSEMBLY PRESS-FIT, EXTERNAL EMI SPRINGS, WITH REDUCED LENGTH LIGHT PIPES	
MATERIAL		PRODUCT SPEC 108-2364	APPLICATION SPEC 114-13120	
FINISH		WEIGHT	SIZE CAGE CODE DRAWING NO A1100779C=2110929	
CUSTOMER DRAWING		SCALE 6:1		SHEET 1 OF 2

LOC	DIST	REV	DATE	BY	APPD
GP	00				

REVISIONS		DATE	BY	APPD
1	SEE SHEET 1			



THIS DRAWING IS A CONTROLLED DOCUMENT.		DWN Z. M. BEAM	31AUG2009	 TE Connectivity
DIMENSIONS: mm		CHK M. R. SCHMITT	31AUG2009	
TOLERANCES UNLESS OTHERWISE SPECIFIED:		APVD R. H. WERTZ	31AUG2009	NAME SFP+ IXL CAGE ASSEMBLY PRESS-FIT, EXTERNAL EMI SPRINGS, WITH REDUCED LENGTH LIGHT PIPES
9 PLC ±0.1		PRODUCT SPEC		SIZE CAGE CODE DRAWING NO RESTRICTED TO
1 PLC ±0.1		108-2364		A100779C=2110929
3 PLC ±0.1		APPLICATION SPEC		SCALE 6:1 SHEET 2 OF 2 REV B
5 PLC ±0.05		114-13120		
4 PLC ±0.05		WEIGHT		
ANGLES ±0.05		CUSTOMER DRAWING		