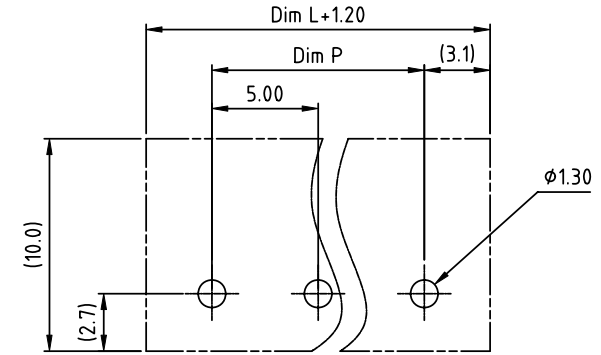
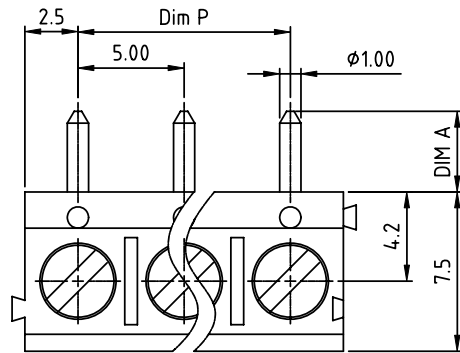
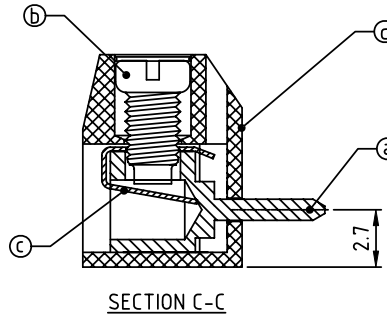
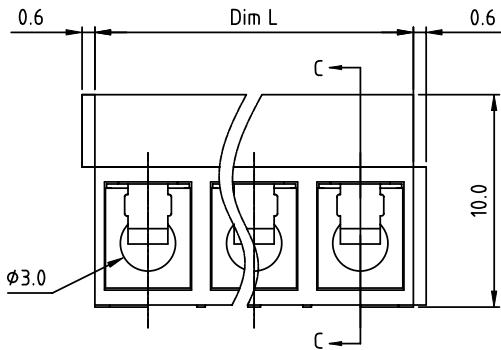


PRODUCT NUMBER	PITCH
TDxx01xx00J0G	5.00 mm



RECOMMENDED P.C.B LAYOUT  
TOP VIEW



SECTION C-C

Material:

- Item (a) Terminal body(metal housing): Brass(CuZn),Tin plated
- Item (b) Terminal screw: Steel Zinc plating "-" slot type
- Item (c) Wire guard :stainless steel
- Item (d) Terminal (housing): Thermoplastic (UL94V-0)

Electrical cULus

- Voltage rating: 250V
- Current rating: 16A
- Wire range:
- Solid wire(AWG): 14
- Stranded wire(AWG): 16
- Torque(Lb-In): 2.6
- Screw: M2.6
- Wire strip length: 5-6mm
- Withstanding Voltage: 1.5KV
- Operating temperature: -40°C to +115°C
- Soldering temperature: 260°C±5°C/5 Sec
- Safety Approval:

DIMENSION

Dim L	N×5.0
Dim P	(N-1)×5.0

N=Number of poles

Poles	DIM P	DIM L
2p-6p	±0.15	±0.20
7p-12p	±0.20	±0.25
13p-18p	±0.25	±0.35
19p-24p	±0.35	±0.40

PART NO.: TD xx 01 x x 00J0 G

	End stackable	No. of poles	Body Color	DIM A	Length	RoHS compliant
0	0	2	Black (RAL9005)	0	4.4mm	(lead<4%)
02	2 poles	3	Red (RAL3001/D)	1	3.8mm	In copper Alloy
03	3 poles	4	Orange(RAL2011/P)	2	3.5mm	
...	...	5	Yellow(RAL1018/A)			
...	...	5	Green(RAL6018/T)			
24	24 poles	6	Blue (RAL5015/A)			
		8	Grey(RAL7035/D)			
		9	White(RAL1102)			
		C	Green(RAL6018/U)			

mat'l. code		surface ASME Y14.5	tolerance ASME Y14.5	projection	product family TERMINAL BLOCK
ltr	ecn no	dr	date	tolerances unless otherwise specified	title
				angles $X \pm 1^\circ$	TERMINAL BLOCK
				scale	WIRE PROTECTOR,90D WIRE INLET,TWO INTERLOCKS
		dr	EVIN ZHONG	033114	dwg no
		enr	EVIN ZHONG	033114	sheet 1 of 1
		chr	HANKE FENG	033114	size
		appd	SHI JUN	033114	TDxx01xx00J0G
					A4
					type
					CUSTOMER Drawing
sheet index	revision	A			
	sheet	1			