

| PART NUMBER | ITEM ① | | ITEM ② |
|--------------|--------|--------|---------------------|
| | HANDLE | COLOR | |
| 105-0301-001 | NYLON | WHITE | BRASS |
| 105-0302-001 | | RED | NICKEL PL .0001 MIN |
| 105-0303-001 | | BLACK | |
| 105-0304-001 | | GREEN | |
| 105-0305-001 | | | |
| 105-0306-001 | | ORANGE | |
| 105-0307-001 | | YELLOW | |
| 105-0308-001 | | BROWN | |
| 105-0309-001 | | | |
| 105-0310-001 | | BLUE | |
| 105-0311-001 | | | |
| 105-0312-001 | | VIOLET | |
| 105-0313-001 | | GRAY | |
| 105-0314-001 | | | |
| 105-0315-001 | | | |
| 105-0316-001 | | | |
| 105-0317-001 | | | |
| 105-0318-001 | | | |
| 105-0319-001 | | | |
| 105-0320-001 | | | |

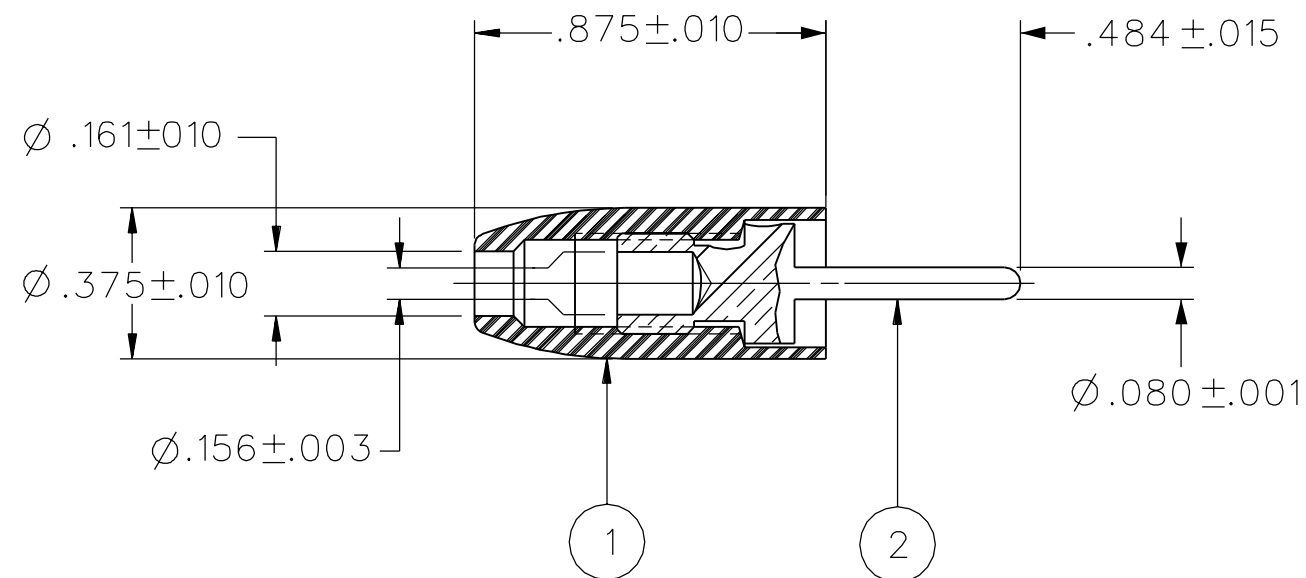
DRAWING NO.
B - 105-0301/0320-001

| | |
|---|-----------|
| 0 | REVISIONS |
|---|-----------|

REVISED AND REDRAWN. DRAWING WAS "C" SIZE 105-0301/0320-001/150 DATED 3-28-88. CREATED SHEET 2.

* REVISION NUMBER FOLLOWED BY AN ALPHA *
* CHARACTER INDICATES DRAWING CLARIFICATION OR PART NUMBER ADDITION ONLY. *

| | | | | | | | |
|-----|--------|--------|-------------|--|--|----------|-----------|
| 14b | 1-7-03 | R H | R J B | | | 10-16-03 | ECN 48699 |
|-----|--------|--------|-------------|--|--|----------|-----------|



NOTES:

1. SPECIFICATIONS:

ELECTRICAL:

CURRENT RATING: 10 AMPS DC MINIMUM
 DIELECTRIC WITHSTANDING VOLTAGE: 3500 VRMS MIN AT SEA LEVEL
 RECOMMENDED WORKING VOLTAGE: 1750 VRMS MAX AT SEA LEVEL
 INSULATION RESISTANCE: 5000 MEGOHMS MIN
 CONTACT RESISTANCE: 10 MILLIOHMS MAXIMUM

MECHANICAL:

WIRE ACCEPTABILITY: 16 AWG OR SMALLER
 WIRE ATTACHMENT: SOLDER OR SOLDERLESS, SCREW DOWN HANDLE
 DURABILITY: 1000 CYCLES MINIMUM

ENVIRONMENTAL:

(MEETS OR EXCEEDS THE APPLICABLE PARAGRAPH OF MIL-PRF-39024)
 OPERATING TEMPERATURE: -55 DEG C TO 85 DEG C.
 TEMPERATURE RISE AT RATED CURRENT: 10 DEG C MAXIMUM
 CORROSION: MIL-STD-1344, METHOD 1001, CONDITION B
 SHOCK: MIL-STD-1344, METHOD 2004, CONDITION G
 VIBRATION: MIL-STD-1344, METHOD 2005, CONDITION I
 HUMIDITY: MIL-STD-1344, METHOD 1002, CONDITION B

CUSTOMER DRAWING

THIS DRAWING TO BE INTERPRETED PER ASME Y 14.5M - 1994

"μ STATION"

COMPANY CONFIDENTIAL

| | | | |
|--------------------------------------|-------|--------------|----------|
| TOLERANCE UNLESS OTHERWISE SPECIFIED | | DRAWN BY | DATE |
| DECIMALS | mm | RJB | 12-16-02 |
| .XX | _____ | CHECKED BY | DATE |
| .XXX | _____ | | |
| MATL | _____ | APPROVED BY | DATE |
| | | RJB | 10-16-03 |
| FINISH | _____ | RELEASE DATE | 10-16-03 |
| | | U/M | INCH |
| | | SCALE | 4:1 |



Cinch Connectivity Solutions
 P.O. Box 1732
 Waseca, MN 56093
 1-800-247-8256

TITLE
 ASSEMBLY, .080 (2.0mm) TIP PLUG, INSULATED HANDLE, ROUND BODY, SOLDER OR SOLDERLESS BACKHOLE

SHEET
 2 OF 2

DRAWING NO.
 B - 105-0301/0320-001