

REVISIONS				
ECN NO	REVISION	DATE	DESCRIPTION	CHANGER
CY10-5701	B	OCT 12,09	UPDATE BOM	JOE XIE

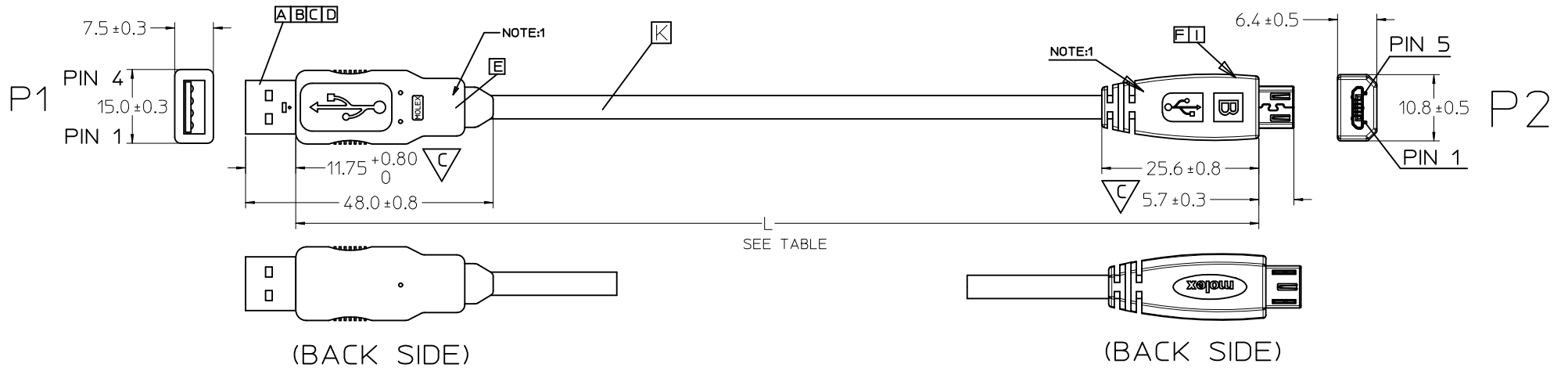


TABLE:

ITEM	MATERIAL NO.	DESCRIPTION	L
1	687840001	USB A TO MICRO B CABLE ASSY	1000±20
2	687840002	USB A TO MICRO B CABLE ASSY	1500±30
3	687840003	USB A TO MICRO B CABLE ASSY	2000±40

- NOTE:
- OVERMOLD SPECIFICATION:
OUTER MOLDER WITH PVC RESIN
INNER MOLDER WITH PE RESIN
 - THIS PRODUCT ELECTRICAL PERFORMANCE MUST MEET 2.0 COMPLIANCE.
 - THIS PRODUCT MUST MEET ROHS COMPLIANCE.

SHELL	BRAID WIRE	SHELL	ITEM	DESCRIPTION	L(REF)	QTY.
4	28AWG BLACK	5	K	USB2.0 1P*28AWG+2C*28AWG		
3	28AWG GREEN	3	I	COPPER FOIL		1
2	28AWG WHITE	2	F	MICRO USB PLUG B		1
1	28AWG RED	1	E	COPPER FOIL		1
P1	Wire Color	P2	D	TERMINAL (AWG26/28)		4
	PIN ASSIGNMENTS		C	REAR SHELL		1
			B	FRONT SHELL		1
			A	CRIMP HOUSING		1
				ITEM	DESCRIPTION	L(REF) QTY.

ENTER DESCRIPTION EC NO: DG2011-0455 DRWNG:ZHANG01 2011/05/27 CHKD:CHRIS 2011/05/27 APPR:ZXDENG 2011/05/27	QUALITY SYMBOLS ▽=0 ▽=2	GENERAL TOLERANCES (UNLESS SPECIFIED) <table border="1"> <thead> <tr> <th></th> <th>mm</th> <th>INCH</th> </tr> </thead> <tbody> <tr> <td>4 PLACES</td> <td>±---</td> <td>±---</td> </tr> <tr> <td>3 PLACES</td> <td>±---</td> <td>±---</td> </tr> <tr> <td>2 PLACES</td> <td>±---</td> <td>±---</td> </tr> <tr> <td>1 PLACE</td> <td>±---</td> <td>±---</td> </tr> </tbody> </table> ANGULAR ±---°		mm	INCH	4 PLACES	±---	±---	3 PLACES	±---	±---	2 PLACES	±---	±---	1 PLACE	±---	±---	DIMENSION STYLE MM ONLY DRAWN BY: JTHUANG DATE: 08-09-30 CHECKED BY: BENTZ, LIU DATE: 08-09-30 APPROVED BY: ZXDENG DATE: 2011/05/27	SCALE --- DESIGN UNITS METRIC THIRD ANGLE PROJECTION	TITLE USB A PLUG TO MICRO B PLUG CABLE ASSY
		mm	INCH																	
	4 PLACES	±---	±---																	
	3 PLACES	±---	±---																	
2 PLACES	±---	±---																		
1 PLACE	±---	±---																		
DRAFT WHERE APPLICABLE MUST REMAIN WITHIN DIMENSIONS	MATERIAL NO. SEE TABLE	MOLEX INCORPORATED	MATERIAL NO. SEE TABLE	DOCUMENT NO. SD-68784-001	SHEET NO. 1 OF 1															
THIS DRAWING CONTAINS INFORMATION THAT IS PROPRIETARY TO MOLEX INCORPORATED AND SHOULD NOT BE USED WITHOUT WRITTEN PERMISSION																				