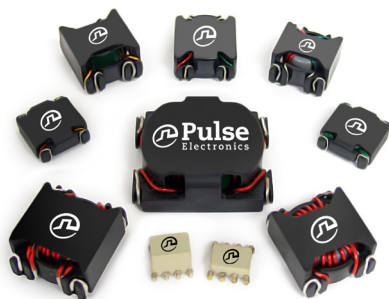


# SMT Common Mode Chokes

1.0A to 20.0A



- 🔌 Wide variety of package sizes available
- 🔌 1Arms to 20Arms current rating
- 🔌 Inductances from 61uH to 10mH
- 🔌 1500Vrms Hi-pot

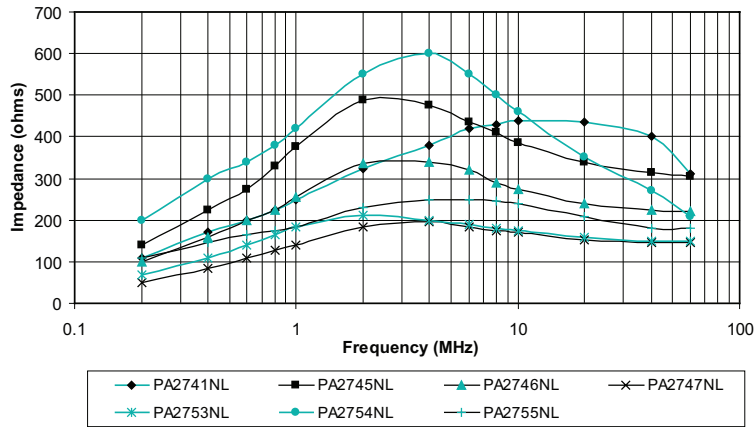
## Electrical Specifications at 25 deg C Temp Range -40 ° C to 130 ° C

| Part Number | Inductance <sup>4</sup><br>per Winding<br>(uH +30%/-35%) | Irated <sup>1</sup><br>(Arms or Adc) | DCR per Winding<br>(mΩ Max) | Leakage Inductance<br>(uH Min) | Package Name | Package Size<br>L x W x H<br>(mm Max) |
|-------------|--|--------------------------------------|-----------------------------|--------------------------------|--------------|---------------------------------------|
| PA2742NL    | 397  | 1                                    | 92                          | 0.6                            | High Shasta  | 9.1 x 8.9 x 7.9                       |
| PA2741NL    | 94   | 1.1                                  | 30                          | 0.3                            | Low Shasta   | 9.1 x 8.9 x 3.8                       |
| PA2752NL    | 10150  | 1.4                                  | 210                         | 25                             | LCCI-50      | 19.6 x 17.0 x 9.9                     |
| PA2748NL    | 1125   | 1.8                                  | 55                          | 3                              | Polecat      | 12.7 x 13.2 x 5.6                     |
| PA3927NL    | 800  | 3                                    | 27                          | 1.5                            | Polecat      | 13x13x8.6                             |
| PA2743NL    | 383*   | 3.3                                  | 18                          | 1                              | Polecat      | 13.0 x 13.0 x 5.6                     |
| PA2749NL    | 536  | 3.8                                  | 17.1                        | 1.2                            | LCCI-37      | 16.4 x 14.2 x 8.9                     |
| PA2744NL    | 280  | 4                                    | 13.2                        | 0.7                            | Polecat      | 13.0 x 13.0 x 5.6                     |
| PA2751NL    | 486  | 4.2                                  | 16                          | 1                              | LCCI-44LP    | 18.2 x 15.0 x 7.6                     |
| PA2745NL    | 130*   | 5                                    | 6.75                        | 0.4                            | Polecat      | 13.2 x 13.2 x 5.6                     |
| PA2746NL    | 96*  | 6                                    | 4.3                         | 0.25                           | Polecat      | 13.2 x 13.2 x 5.6                     |
| PA2750NL    | 400  | 6                                    | 9.4                         | 1.25                           | LCCI-44      | 18.2 x 15.0 x 10.0                    |
| PA2747NL    | 61*  | 7                                    | 2.9                         | 0.15                           | Polecat      | 13.5 x 13.5 x 5.6                     |
| PA2756NL    | 484  | 8                                    | 7.7                         | 1.5                            | LCCI-50      | 19.6 x 17.0 x 9.9                     |
| PA2757NL    | 1030   | 9                                    | 9.75                        | 3                              | HCCI-80      | 31.0 x 25.4 x 12.7                    |
| PA2754NL    | 215  | 10                                   | 3.75                        | 0.5                            | Makeni       | 21.1 x 19.1 x 11.2                    |
| PA2753NL    | 95   | 12.5                                 | 3                           | 0.15                           | LCCI-50      | 19.6 x 17.0 x 9.9                     |
| PA2755NL    | 117  | 14                                   | 1.95                        | 0.3                            | Makeni       | 21.1 x 19.1 x 11.2                    |
| PA2670NL    | 500  | 16                                   | 4.25                        | 1.5                            | HCCI-80      | 31.0x25.4x12.7                        |
| PG1265NL    | 380  | 20                                   | 4.1                         | 1.2                            | HCCI-80      | 31.0x25.4x12.7                        |

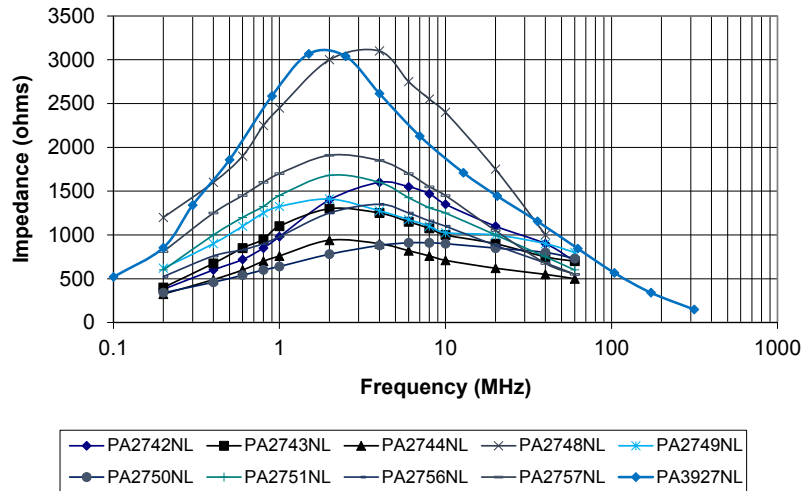
### NOTE:

1. The current rating (Irated) is based upon the temperature rise of the component and represents the rms current which will cause a typical temperature rise of 40C.
2. The temperature of the component (ambient plus temperature rise) must be within the stated operating temperature range.
3. Optional Tape & Reel packaging can be ordered by adding a "T" suffix to the part number (i.e. PA2741NL becomes PA2741NLT). Pulse complies to industry standard tape and reel specification EIA481.
4. Components identified by an asterisk have an inductance tolerance of +/- 35%. All other components are +30/-35%.

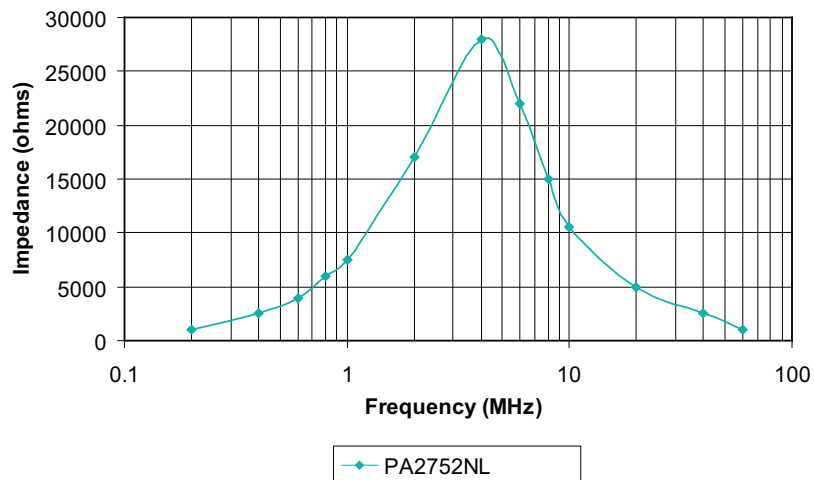
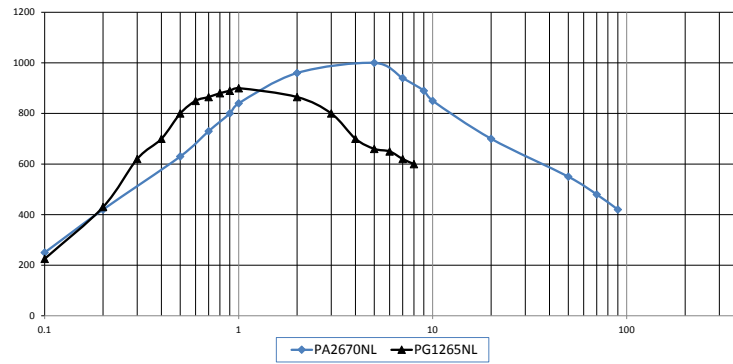
## Impedance Plots



## Impedance Plot



## Impedance Plots



# SMT Common Mode Chokes

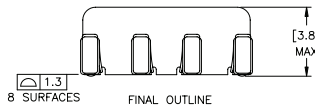
1.0A to 20.0A

## Mechanicals

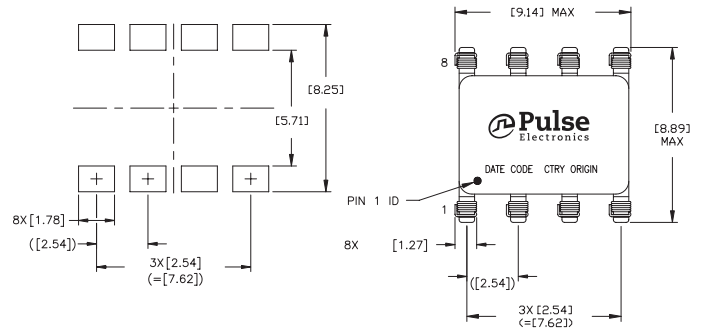
### Low Shasta - PA2741NL



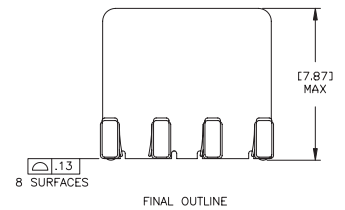
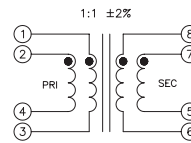
#### Schematic



### High Shasta - PA2742NL

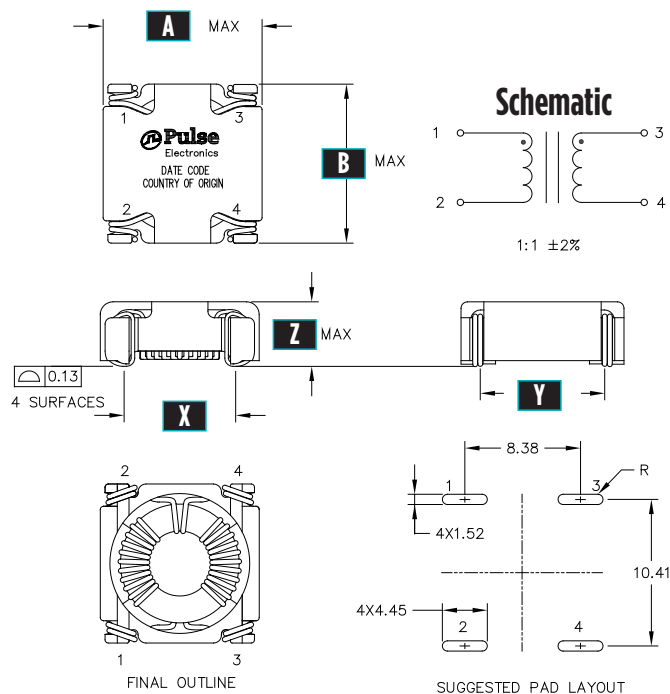


#### Schematic



Please note that for PA2741NL and PA2742NL the part should be connected as follows:  
Customer to connect pins (1,2) and (4,3) together on board to form a single winding (1,2-4,3).  
Customer to connect pins (8,7) and (5,6) together on board to form a single winding (8,7-5,6)  
All ratings (leakage and DCR) are with respect to the above winding configuration.

### PoleCat - PA2743NL, PA2744NL, PA2745NL, PA2746NL, PA2747NL, PA2748NL and PA3927NL



#### Polecat Dimensions

| Part Number | A    | B    | X   | Y    | Z   |
|-------------|------|------|-----|------|-----|
| PA2743NL    | 13.0 | 13.0 | 8.4 | 10.4 | 5.6 |
| PA2744NL    | 13.0 | 13.0 | 8.4 | 10.4 | 5.6 |
| PA2745NL    | 13.2 | 13.2 | 8.6 | 10.7 | 5.6 |
| PA2746NL    | 13.2 | 13.2 | 8.6 | 10.7 | 5.6 |
| PA2747NL    | 13.5 | 13.5 | 8.6 | 10.7 | 5.6 |
| PA2748NL    | 12.7 | 13.2 | 8.4 | 10.4 | 5.6 |
| PA3927NL    | 13.0 | 13.0 | 8.4 | 10.4 | 8.6 |

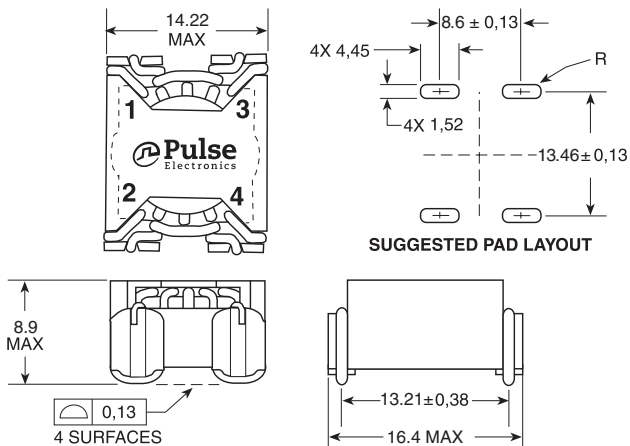
# SMT Common Mode Chokes

1.0A to 20.0A

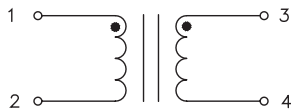


## Mechanicals

### LCCI-37 - PA2749NL

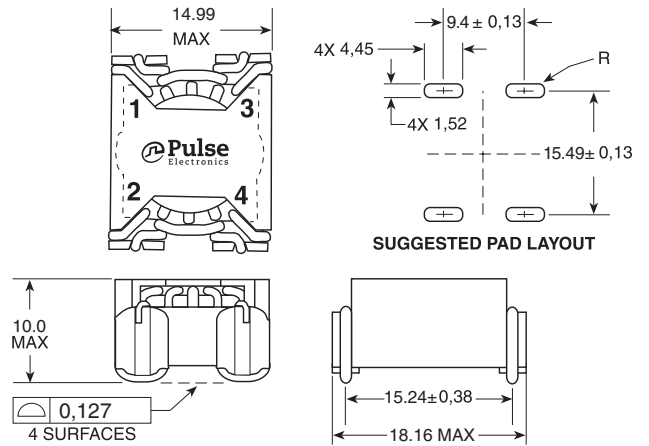


#### Schematic

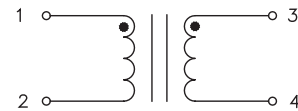


1:1 ±2%

### LCCI-44 - PA2750NL

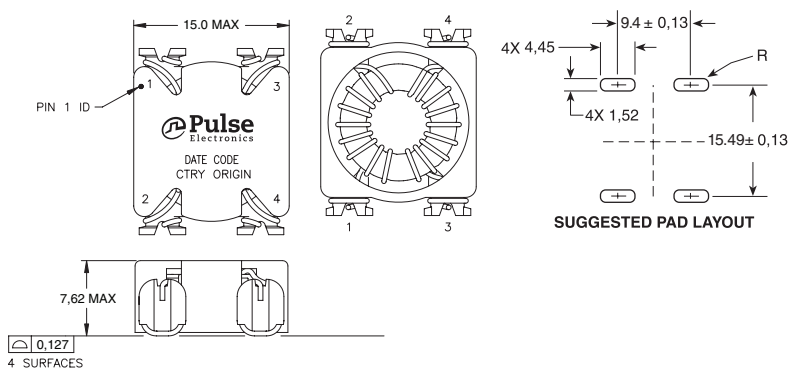


#### Schematic

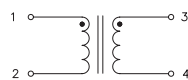


1:1 ±2%

### LCCI-44LP - PA2751NL

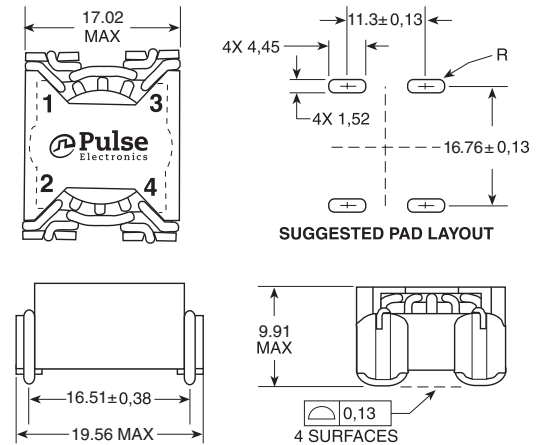


#### Schematic

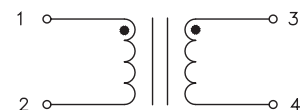


1:1 ±2%

### LCCI-50 - PA2752NL



#### Schematic



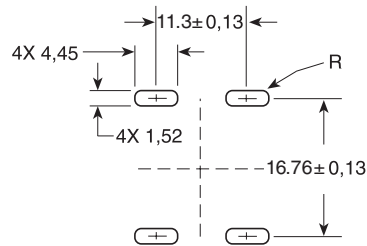
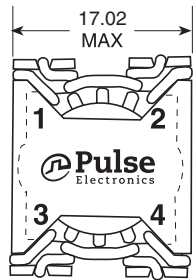
1:1 ±2%

# SMT Common Mode Chokes

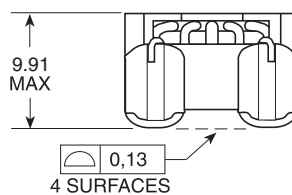
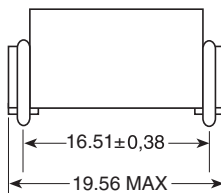
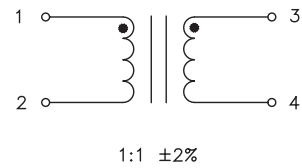
1.0A to 20.0A

## Mechanicals

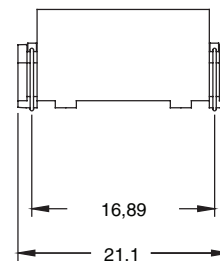
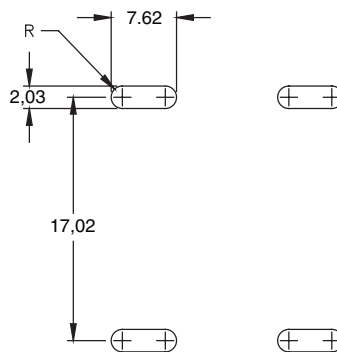
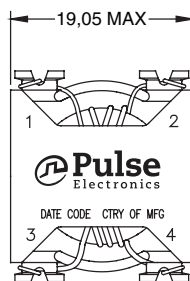
### LCCI-50 - PA2753NL and PA2756NL



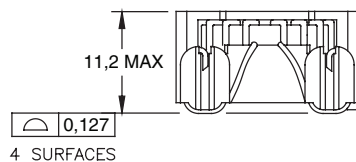
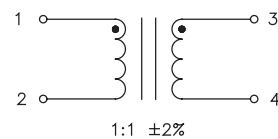
### Schematic



### Makeni - PA2754NL, PA2755NL



### Schematic



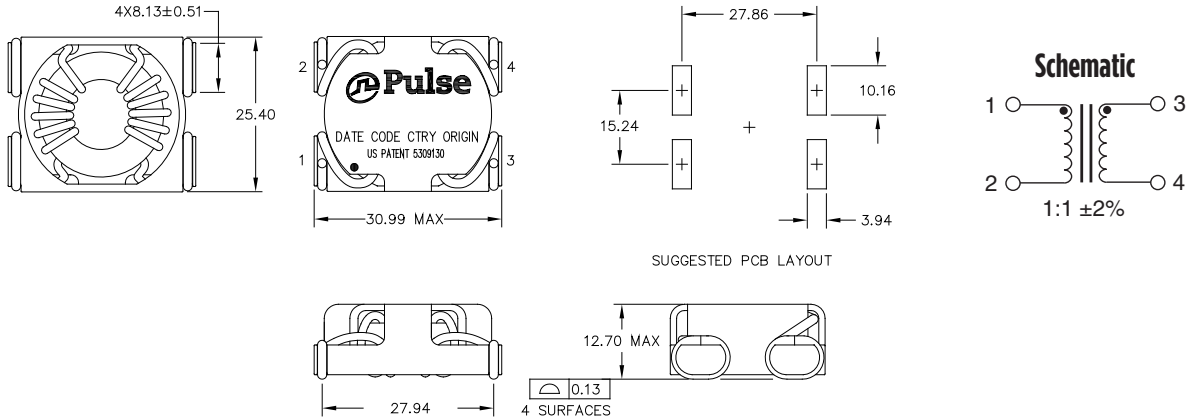
# SMT Common Mode Chokes

1.0A to 20.0A

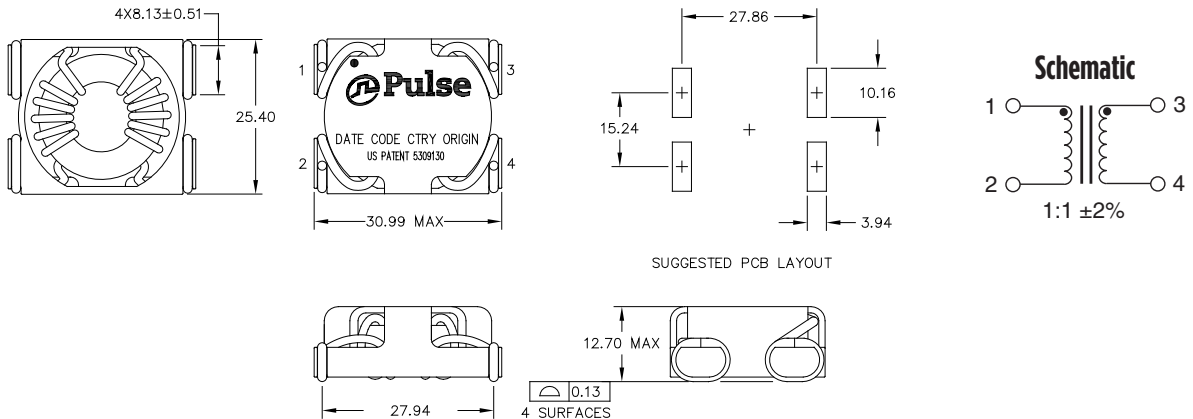


## Mechanical

### HCCI-80 - PA2757NL



### HCCI-80 - PA2670NL and PG1265NL



## For More Information

### Pulse Worldwide Headquarters

12220 World Trade Drive  
San Diego, CA 92128  
U.S.A.

Tel: 858 674 8100  
Fax: 858 674 8262

### Pulse Europe

Pulse Electronics GmbH  
Am Rottland 12  
58540 Meinerzhagen  
Germany

Tel: 49 2354 777 100  
Fax: 49 2354 777 168

### Pulse China Headquarters

B402, Shenzhen Academy of  
Aerospace Technology Bldg.  
10th Kejinan Road  
High-Tech Zone  
Nanshan District  
Shenzhen, PR China 518057

Tel: 86 755 33966678  
Fax: 86 755 33966700

### Pulse North China

Room 2704/2705  
Super Ocean Finance Ctr.  
2067 Yan An Road West  
Shanghai 200336  
China

Tel: 86 21 62787060  
Fax: 86 21 62786973

### Pulse South Asia

135 Joo Seng Road  
#03-02  
PM Industrial Bldg.  
Singapore 368363

Tel: 65 6287 8998  
Fax: 65 6287 8998

### Pulse North Asia

3F, No. 198  
Zhongyuan Road  
Zhongli City  
Taoyuan County 320  
Taiwan R. O. C.

Tel: 886 3 4356768  
Fax: 886 3 4356823 (Pulse)  
Fax: 886 3 4356820 (FRE)

Performance warranty of products offered on this data sheet is limited to the parameters specified. Data is subject to change without notice. Other brand and product names mentioned herein may be trademarks or registered trademarks of their respective owners. © Copyright, 2016. Pulse Electronics, Inc. All rights reserved.