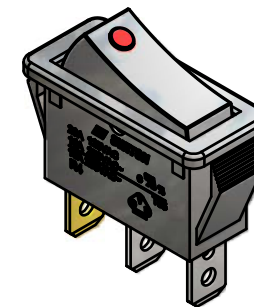
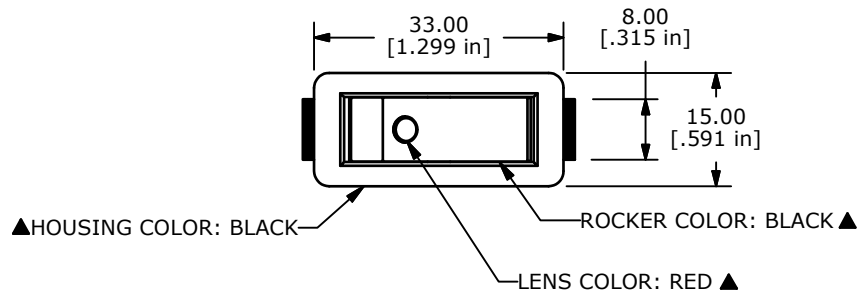
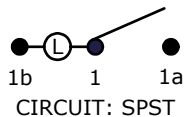


RECOMMENDED PANEL MOUNTING

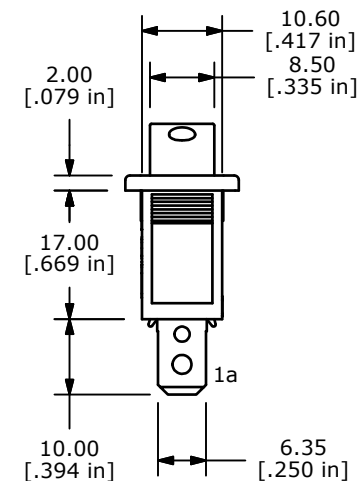
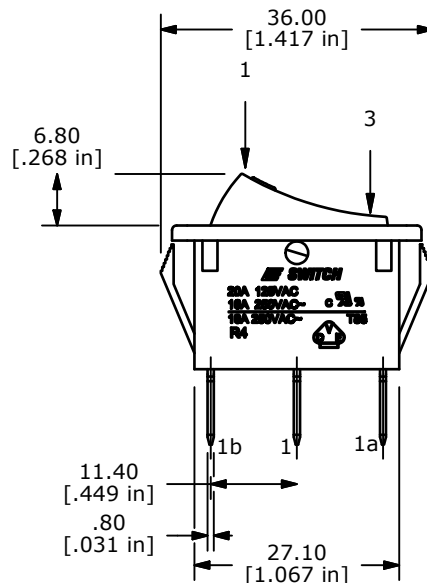
| PANEL THICKNESS | X± 0.05 |
|-----------------|-------------|
| 0.75-1.25 | 29.6-29.7 |
| 1.25-2.00 | 30.1-30.2 |
| 2.00-3.00 | 30.45-30.55 |

| SWITCH FUNCTION | |
|-----------------|--------|
| POS. 1 | POS. 3 |
| | |
| ON | OFF |
| 1-1a | OPEN |



NOTES:

- ALL DIMENSIONS IN MM [INCH]
- GENERAL TOLERANCE: X.X=± 0.4
X.XX=± 0.25
- TERM. NOS. FOR REF. ONLY
- RATING: 20A 125VAC, 16A 250VAC UL APPROVED
16A 250VAC VDE APPROVED
- ELECTRICAL LIFE: OVER 10,000 CYCLES
- MECHANICAL LIFE: OVER 30,000 CYCLES
- CONTACT RESISTANCE: <20 mΩ(INITIAL)
- DIELECTRIC STRENGTH: >1500V 1 min
- INSULATION RESISTANCE: >1,000 mΩ @ 500V DC
- LAMP VOLTAGE: NEON 125VAC
- OPERATING TEMPERATURE: TERMINAL SIDE -20°C to 85°C
ROCKER SIDE -20°C to 55°C
- ▲ DENOTES CRITICAL PARAMETER
- 2002/95/EC (ROHS) COMPLIANT



| REV | PCR NO | DESCRIPTION | DATE | BY |
|-----|--------|-----------------------|----------|-----|
| G | 19899 | UPDATE DRAWING | 05/02/11 | BMA |
| F | 15994 | UPDATE NOTES AND DIMS | 04/28/06 | CT |

| | | | | |
|-----------------------|----------------|-------|-------------|-------|
| TITLE R4BBLKBLKREDEF1 | | | | |
| SCALE 1:1 | DATE 7/22/2002 | DR MM | DWG M040103 | REV G |

THE INFORMATION CONTAINED IN THIS DOCUMENT IS PROPRIETARY TO E-SWITCH AND IS NOT TO BE COPIED OR TRANSFERRED