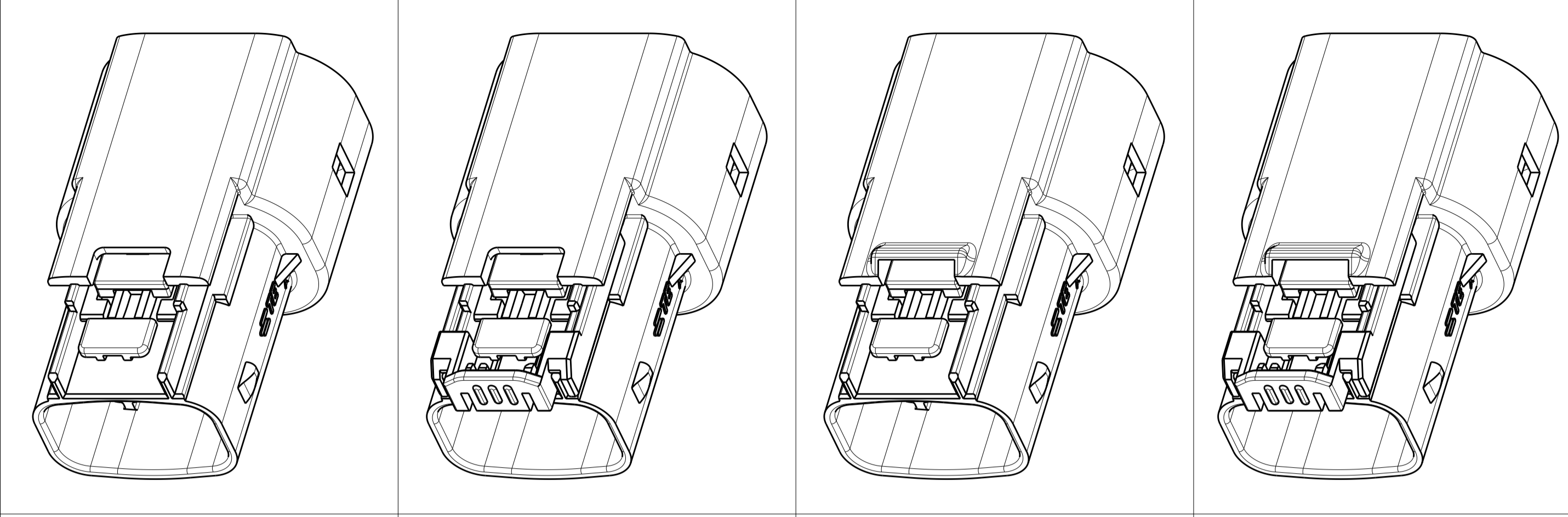
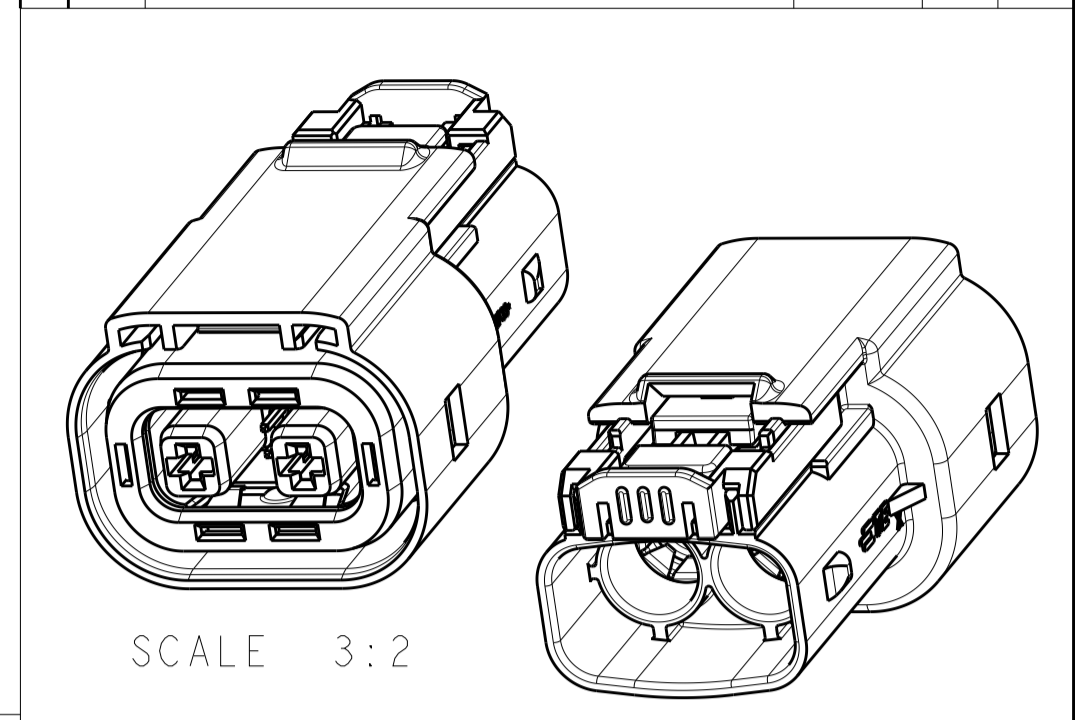


X-2103177-1 KEY A
 X-2103177-2 KEY B
 X-2103177-4 KEY D

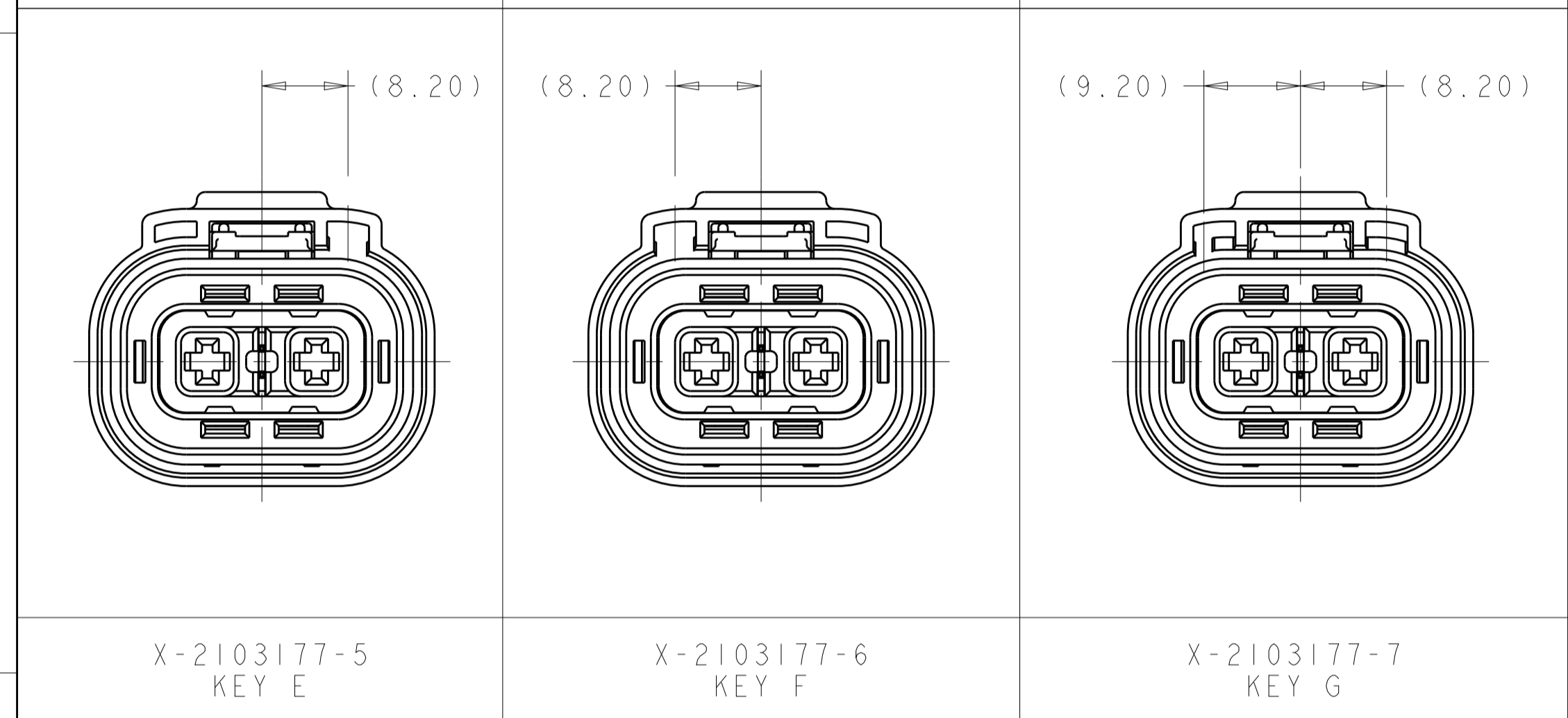


FINGER ACCESSIBLE LATCH WITHOUT CPA
 5-2103177-X AND 6-2103177-X
 FINGER ACCESSIBLE LATCH WITH CPA
 4-2103177-X
 TOOL ACCESSIBLE LATCH WITHOUT CPA
 1-2103177-X
 TOOL ACCESSIBLE LATCH WITH CPA
 2103177-X

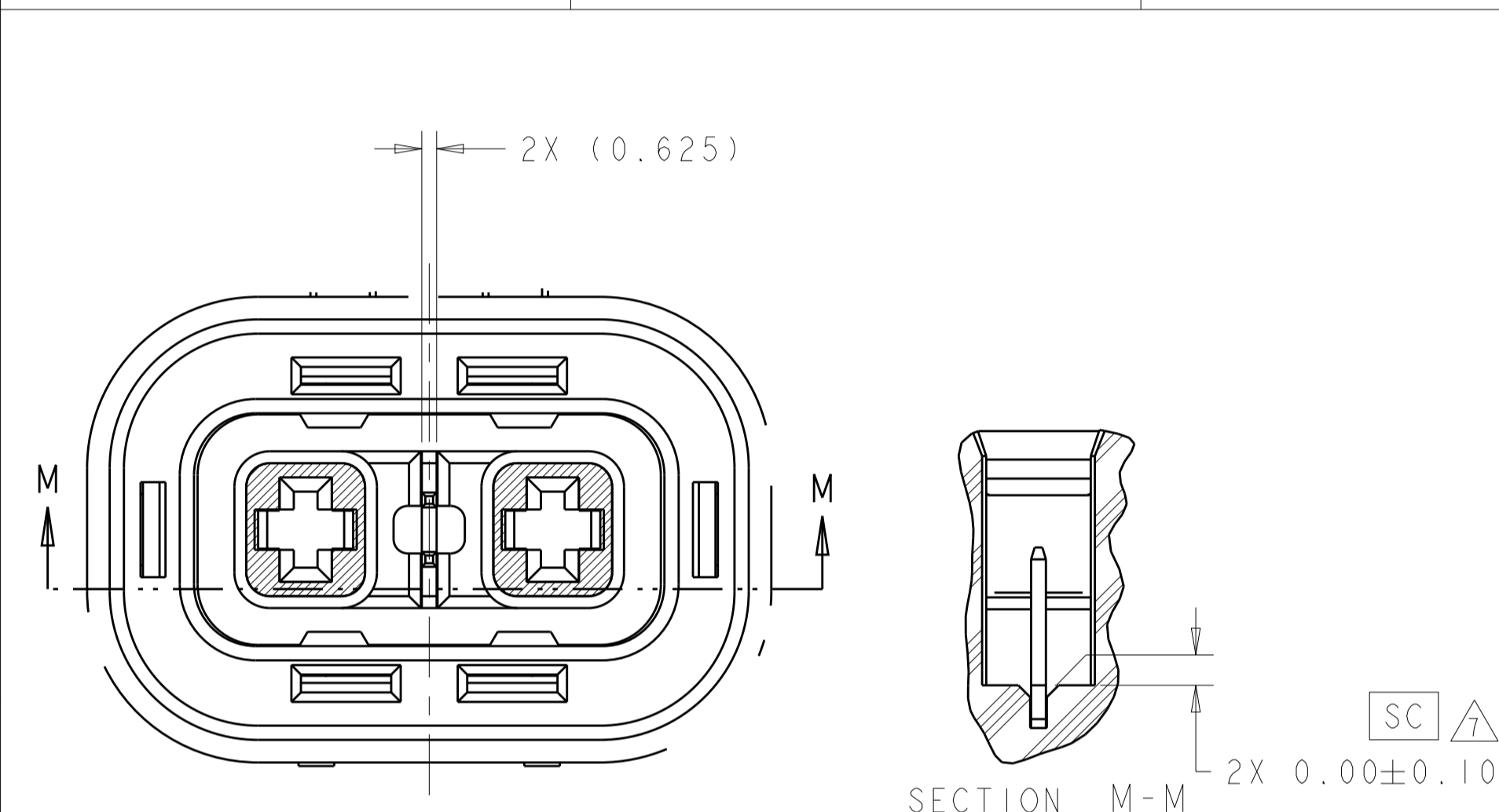
REVISIONS				
P. LTR	DESCRIPTION	DATE	OWN	APVD
B2	ECO-14-008515	06JUN2014	YS	AT
B3	ECO-17-003663	16MAR2017	YS	AG



SCALE 3:2
 SCALE 3:2

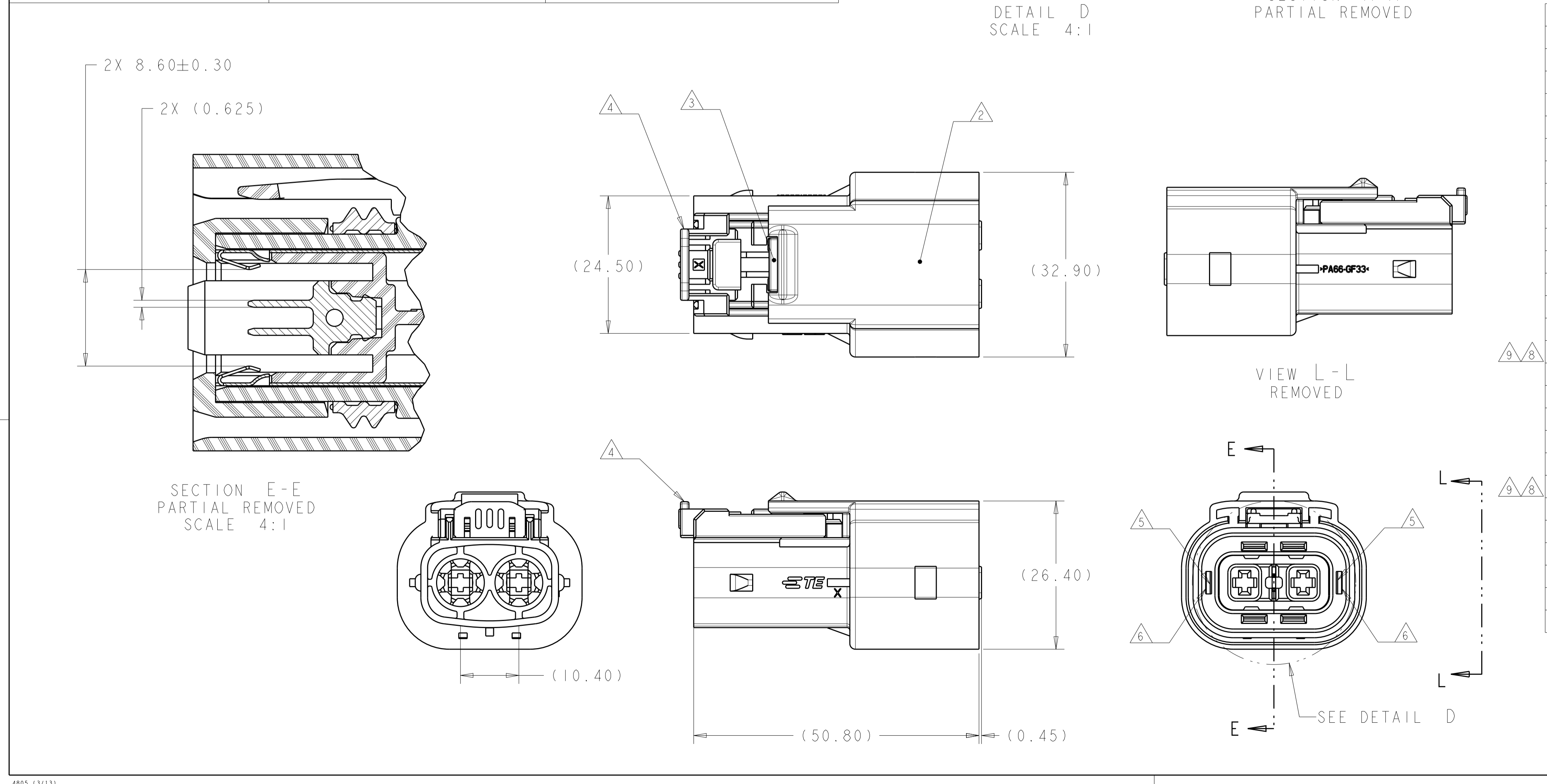


X-2103177-5 KEY E
 X-2103177-6 KEY F
 X-2103177-7 KEY G



DETAIL D
 SCALE 4:1
 SECTION M-M
 PARTIAL REMOVED
 2X 0.00±0.10

- CONNECTOR MUST BE FREE OF ANY MECHANICAL DEFECTS WHICH MAY AFFECT FIT, FORM, OR PERFORMANCE
- PART NUMBER AND JULIAN DATE CODE MARKED IN THIS AREA
- FLOATING LATCH MUST BE FULLY INSTALLED AS SHOWN
- CPA, WHEN PRESENT MUST BE INSTALLED IN PRE-STAGE POSITION AS SHOWN
- INNER HOUSING SUB ASSEMBLY MUST BE FULLY LOCKED IN TWO LOCATIONS INTO OUTER HOUSING. INSPECTION PRIOR TO ASSEMBLY OF PERIPHERAL SEAL RETAINER PERMITTED
- PERIPHERAL SEAL RETAINER MUST BE FULLY LOCKED IN TWO LOCATIONS INTO OUTER HOUSING.
- MEASURE EACH STAMPING SHOULDER FLUSH CONDITION TO NEIGHBORING PLASTIC SURFACE
- PRELIMINARY PART - NOT RELEASED FOR PRODUCTION
- THIS PART HAS NOT COMPLETED VALIDATION TESTING



DESCRIPTION	REV	PART NO
PLUG ASSY, KEY E, HVA280-2PHI XE, FINGER ACCESSIBLE, BLACK	B	6-2103177-5
PLUG ASSY, KEY D, HVA280-2PHI XE, FINGER ACCESSIBLE, BLACK	B	6-2103177-4
PLUG ASSY, KEY B, HVA280-2PHI XE, FINGER ACCESSIBLE, BLACK	B	6-2103177-2
PLUG ASSY, KEY G, HVA280-2PHI XE, FINGER ACCESSIBLE	B	5-2103177-7
PLUG ASSY, KEY F, HVA280-2PHI XE, FINGER ACCESSIBLE	B	5-2103177-6
PLUG ASSY, KEY E, HVA280-2PHI XE, FINGER ACCESSIBLE	B	5-2103177-5
PLUG ASSY, KEY D, HVA280-2PHI XE, FINGER ACCESSIBLE	B	5-2103177-4
PLUG ASSY, KEY B, HVA280-2PHI XE, FINGER ACCESSIBLE	B	5-2103177-2
PLUG ASSY, KEY A, HVA280-2PHI XE, FINGER ACCESSIBLE	B	5-2103177-1
PLUG ASSY, KEY G, HVA280-2PHI XE, FINGER ACCESSIBLE WITH CPA	B	4-2103177-7
PLUG ASSY, KEY F, HVA280-2PHI XE, FINGER ACCESSIBLE WITH CPA	B	4-2103177-6
PLUG ASSY, KEY E, HVA280-2PHI XE, FINGER ACCESSIBLE WITH CPA	B	4-2103177-5
PLUG ASSY, KEY D, HVA280-2PHI XE, FINGER ACCESSIBLE WITH CPA	B	4-2103177-4
PLUG ASSY, KEY B, HVA280-2PHI XE, FINGER ACCESSIBLE WITH CPA	B	4-2103177-2
PLUG ASSY, KEY A, HVA280-2PHI XE, FINGER ACCESSIBLE WITH CPA	B	4-2103177-1
PLUG ASSY, KEY G, HVA280-2PHI XE, TOOL ACCESSIBLE	I	1-2103177-7
PLUG ASSY, KEY F, HVA280-2PHI XE, TOOL ACCESSIBLE	B	1-2103177-6
PLUG ASSY, KEY E, HVA280-2PHI XE, TOOL ACCESSIBLE	B	1-2103177-5
PLUG ASSY, KEY D, HVA280-2PHI XE, TOOL ACCESSIBLE	B	1-2103177-4
PLUG ASSY, KEY B, HVA280-2PHI XE, TOOL ACCESSIBLE	B	1-2103177-2
PLUG ASSY, KEY A, HVA280-2PHI XE, TOOL ACCESSIBLE	B	1-2103177-1
PLUG ASSY, KEY G, HVA280-2PHI XE, TOOL ACCESSIBLE WITH CPA	I	2103177-7
PLUG ASSY, KEY F, HVA280-2PHI XE, TOOL ACCESSIBLE WITH CPA	B	2103177-6
PLUG ASSY, KEY E, HVA280-2PHI XE, TOOL ACCESSIBLE WITH CPA	B	2103177-5
PLUG ASSY, KEY D, HVA280-2PHI XE, TOOL ACCESSIBLE WITH CPA	B	2103177-4
PLUG ASSY, KEY B, HVA280-2PHI XE, TOOL ACCESSIBLE WITH CPA	B	2103177-2
PLUG ASSY, KEY A, HVA280-2PHI XE, TOOL ACCESSIBLE WITH CPA	B	2103177-1

DESCRIPTION: PLUG ASSY HVA280-2PHI XE

THIS DRAWING IS A CONTROLLED DOCUMENT.

DIMENSIONS: mm

TOLERANCES UNLESS OTHERWISE SPECIFIED:

0 PLC	±0.2
1 PLC	±0.10
2 PLC	±0.13
3 PLC	±0.001
4 PLC	±0.001
ANGLES	±0.001

MATERIAL: - FINISH: -

OWN: D SIMPSON 24FEB2011
 CHK: A TYLER 24FEB2011
 APVD: J ROLEWITZ 24FEB2011

PRODUCT SPEC: 108-2394
 APPLICATION SPEC: 114-13259

WEIGHT: -

CUSTOMER DRAWING

SCALE: 2:1 SHEET 1 OF 1 REV: B3