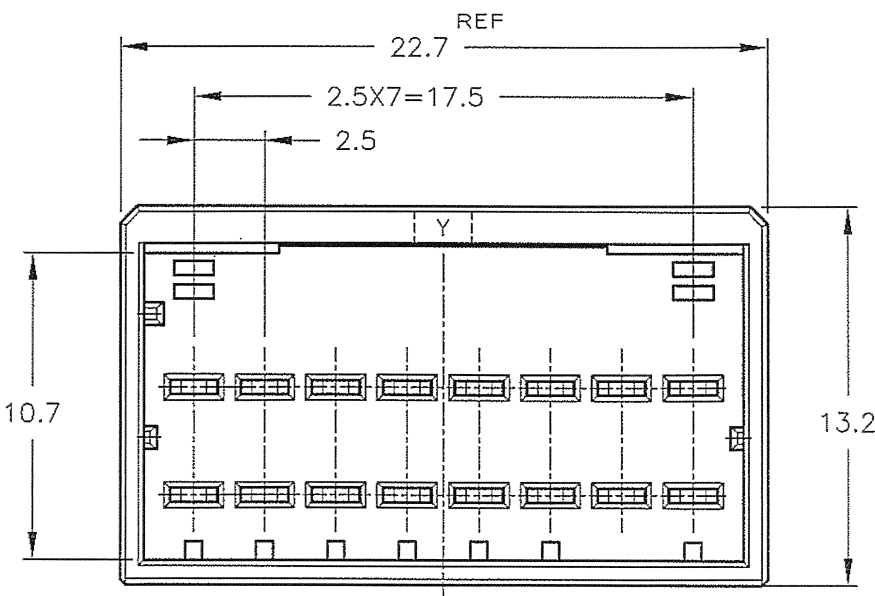
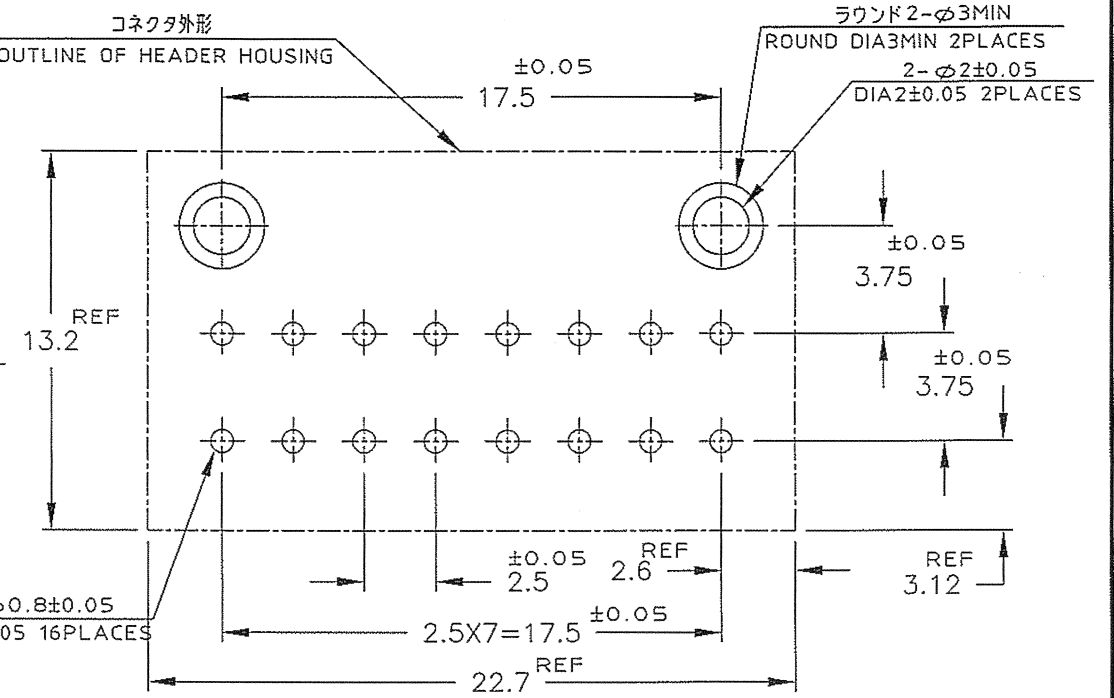
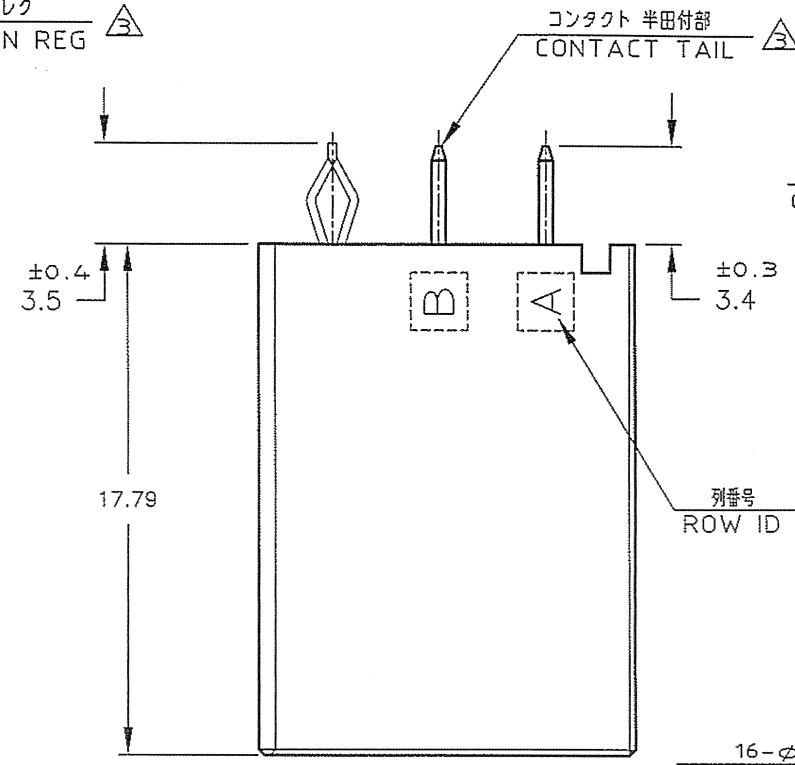
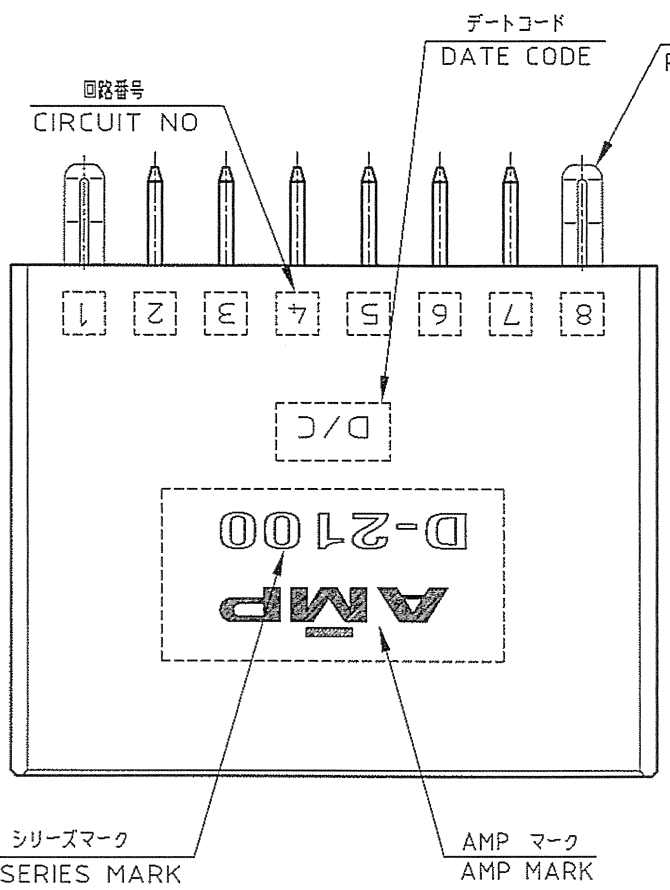


LOC		DIST		REVISIONS				
P	LTR	DESCRIPTION	ECN	DATE	DWN	APVD		
	O	RELEASED	FJD0-0414-04	11NOV 2004	T.S	D.M		
	O1	ADDITION PART NO	ECR-07-007149	28MAR 2007	M.M	D.M		
	A	REVISED(ADD NATURAL COLOR)	ECR-14-009682	27JUN 2014	Z.S	N.Y		

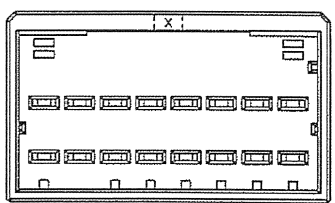


- NOTES
- MATERIAL: HOUSING: GLASS FILLED THERMO PLASTIC, POLYESTER(94V-0), COLOR: -1/-2 BLACK, -3 NATURAL
 TAB CONTACT: COPPER ALLOY
 RETENTION LEG: BRASS
 - FINISH (CONTACT AREA): 0.38μm MIN GOLD PLATING OVER Ni PLATING
 - FINISH (RETENTION LEG): TIN PLATED (CONTACT TAIL) OVER NICKEL
 - APPEARANCE CRITERIA IS BASED ON TE CRITERIA.

推奨基板取付け寸法 (公差: ±0.05)
 PC 基板厚: 1.6±0.3 (コネクタ搭載面)
 RECOMENDED PC BOARD HOLE PATTERN (TOL: ±0.05)
 PC BOARD THICKNESS: 1.6±0.3 (CONNECTOR MOUNT SIDE)

- 注記
- 材料: ハウジング: ガラス入り熱可塑性ポリエステル樹脂 (94V-0)
 色: -1/-2 黒, -3 ナチュラル
 タブコンタクト: 銅合金
 リテンションレグ: 黄銅
 - めっき: コンタクト: 全面Ni下地
 接触部: 0.38μm MIN金めっき
 - めっき: リテンションレグとコンタクト半田付部
 ニッケル下地の上にスズめっき
 - 外觀基準はTE基準に基づく

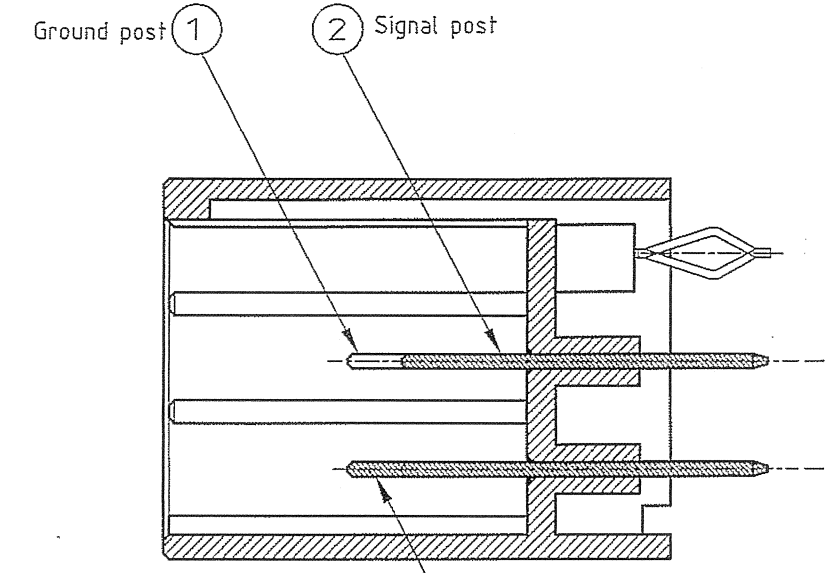
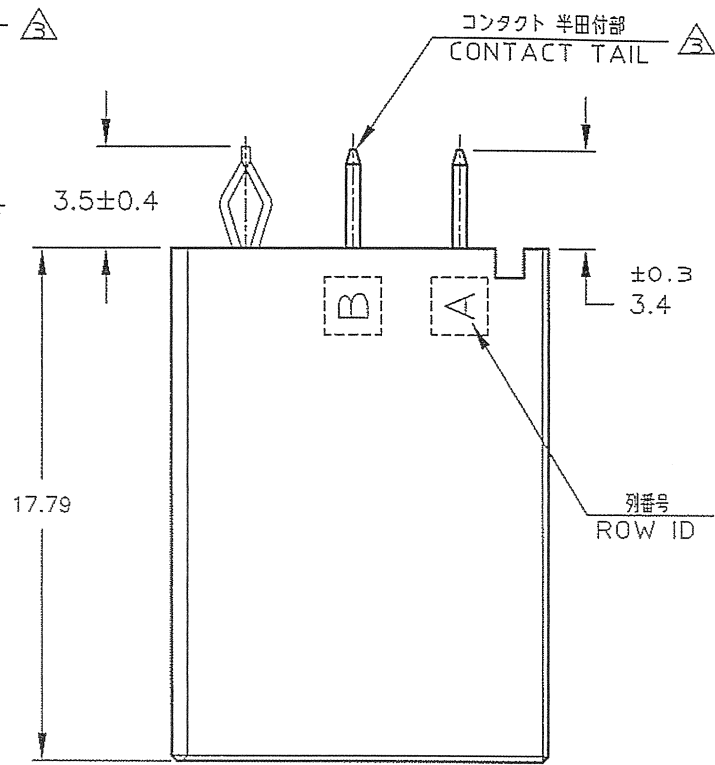
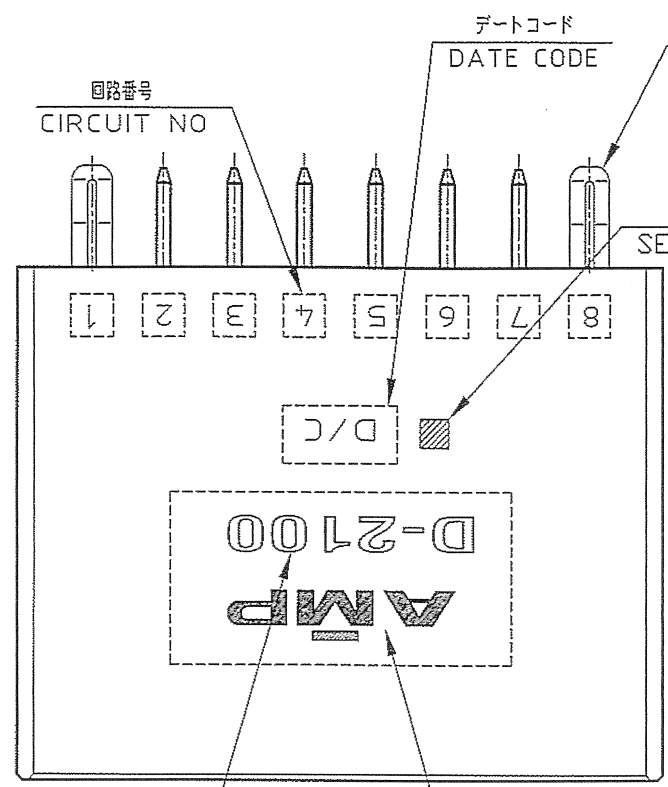
1747994-2
 -3
 (KEYING Y)



1747994-1
 (KEYING X)
 SCALE: 2-1

THIS DRAWING IS A CONTROLLED DOCUMENT FOR AMP INCORPORATED. IT IS SUBJECT TO CHANGE AND THE CONTROLLING ENGINEERING ORGANIZATION SHOULD BE CONTACTED FOR THE LATEST REVISION.		DOWN T.Sakamoto 11/NOV/'04		
DIMENSIONS: 単位 長 mm		CHK D.Mitsugi 11/NOV/'04		
TOLERANCES UNLESS OTHERWISE SPECIFIED		APVD D.Mitsugi 11/NOV/'04	NAME 2列 ヘッダーアセンブリー 16P <垂直タイプ> DOUBLE ROW HEADER ASS'Y 16P ("V"TYPE) <DYNAMIC D-2100D>	
		PRODUCT SPEC 108-5619	DRAWING NO C=1747994	
MATERIAL 注記参照 SEE NOTES		APPLICATION SPEC 114-5258	SIZE A3	CAGE CODE 00779
FINISH 注記参照 SEE NOTES		WEIGHT	RESTRICTED TO	
CUSTOMER DRAWING		SCALE 4-1		SHEET 1 OF 2 REV A

LOC		DIST		REVISIONS					
P	LTR	DESCRIPTION	ECN	DATE	DWN	APVD			
J		SEE SHEET 1 OF 2							

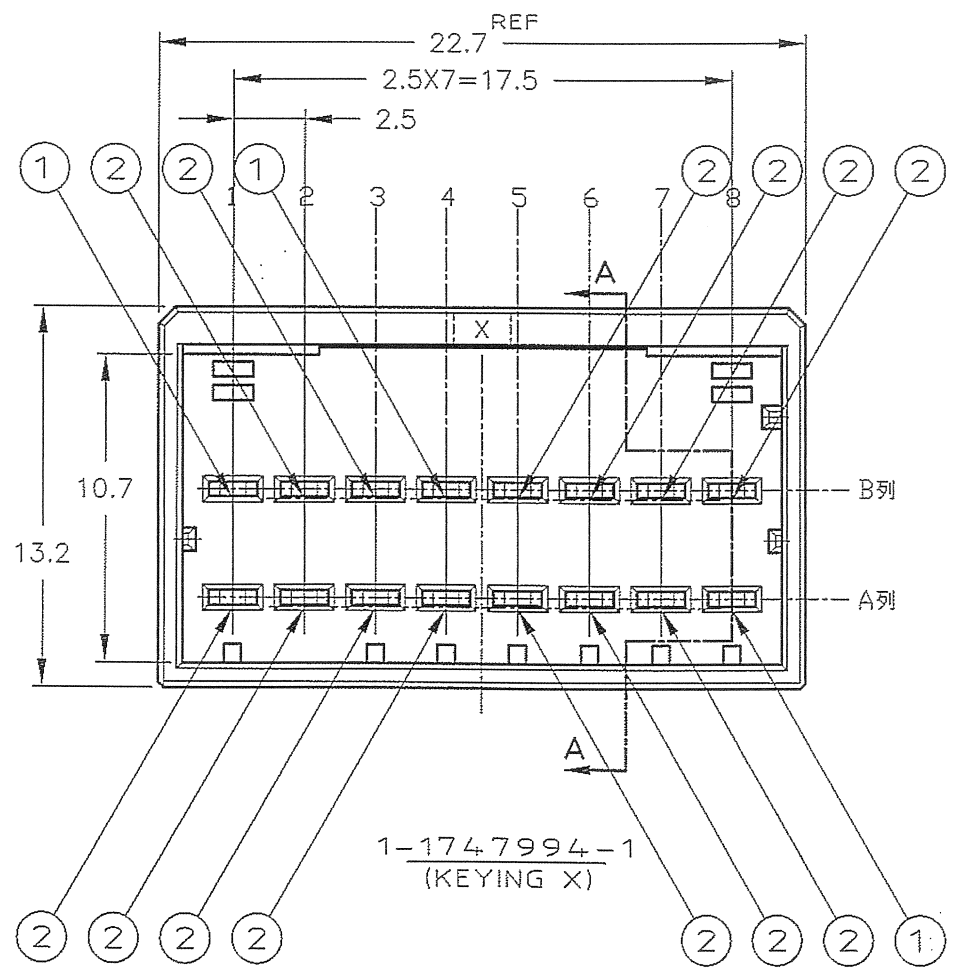


		回路番号							
		1	2	3	4	5	6	7	8
列番号	B	① Ground	② Signal	② Signal	① Ground	② Signal	② Signal	② Signal	② Signal
	A	② Signal	② Signal	② Signal	② Signal	② Signal	② Ground	② Signal	① Ground

POINT OF SEQUENTIAL
 1-1747994-1

- NOTES
- MATERIAL: HOUSING: GLASS FILLED THERMO PLASTIC, POLYESTER(94V-0), COLOR: BLACK
 TAB CONTACT: COPPER ALLOY
 RETENTION LEG: BRASS
 - FINISH (CONTACT AREA): 0.38μm MIN GOLD PLATING OVER NI PLATING
 - FINISH (RETENTION LEG): TIN PLATED (CONTACT TAIL) OVER NICKEL

- 注記
- 材料: ハウジング: ガラス入り熱可塑性ポリエステル樹脂 (94V-0), 色: 黒
 タブ コンタクト: 銅合金
 リテンションレグ: 黄銅
 - めっき: コンタクト: 全面Ni下地
 接触部: 0.38μm MIN金めっき
 - めっき: リテンションレグとコンタクト半田付部
 : ニッケル下地の上にスズめっき



THIS DRAWING IS A CONTROLLED DOCUMENT FOR AMP INCORPORATED. IT IS SUBJECT TO CHANGE AND THE CONTROLLING ENGINEERING ORGANIZATION SHOULD BE CONTACTED FOR THE LATEST REVISION.		DWN T. Sakamoto 11/NOV/04		
DIMENSIONS: 単位 柱 mm		CHK D. Mitsugi 11/NOV/04		
TOLERANCES UNLESS OTHERWISE SPECIFIED		APVD D. Mitsugi 11/NOV/04	NAME 2列 ヘッダーアセンブリー 16P <垂直タイプ> DOUBLE ROW HEADER ASS'Y 16P ("V" TYPE) <DYNAMIC D-2100D>	
 一般公差 102 ±0.3 302 >10 ±0.35 1002 >30 ±0.4 ANGLE: ±3°		PRODUCT SPEC 108-5619	DRAWING NO C-1747994	
MATERIAL 注記参照 SEE NOTES		APPLICATION SPEC 114-5258	SIZE A3	CAGE CODE 00779
FINISH 注記参照 SEE NOTES		WEIGHT	RESTRICTED TO	
CUSTOMER DRAWING		SCALE 4-1		SHEET 2 OF 2
				REV A