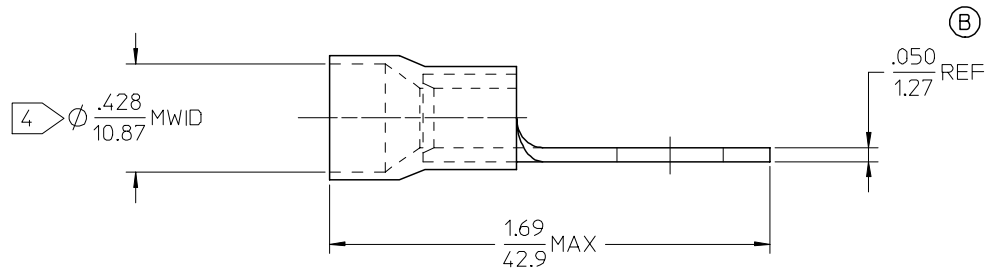
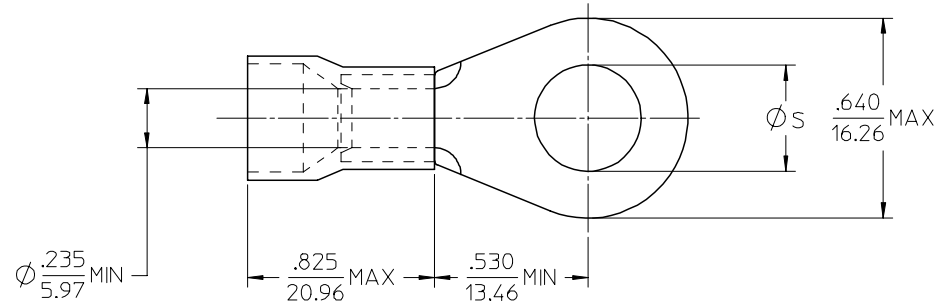


MATERIAL NO.	ENG. NO.	STUD SIZE	$\varnothing S \pm .005/0.13$
190670043	E-957-08	8	.173/4.39
190670045	E-957-10	10	.198/5.03
190670047	E-957-14	1/4	.265/6.73
190670052	E-957-38	3/8	.390/9.91
190670055	E-957-56	5/16	.328/8.33
190670059	E-957-76	7/16	.453/11.51



NOTE(S):

1. TERMINAL MATERIAL: COPPER ALLOY.
2. TERMINAL FINISH: ELECTRO TIN PLATE.
3. INSULATION MATERIAL: NYLON, COLOR CODED BLUE.

MWID = MAXIMUM WIRE INSULATION DIAMETER.

- B** 5. ALL COMPONENTS ARE ROHS COMPLIANT.

REDWN & RDC MATL THKNS EC NO: ETC2007-0158 2006/10/20 DRW: NEHLE 2006/10/20 CHKD: JMACNEIL 2006/10/20 APPR: JMACNEIL 2006/10/20	QUALITY SYMBOLS ▽=0 ▽=0	GENERAL TOLERANCES (UNLESS SPECIFIED)		DIMENSION STYLE IN/MM		SCALE 4:1	DESIGN UNITS INCH	THIRD ANGLE PROJECTION	
		mm	INCH	DRAWN BY EHILE	DATE 2006/10/16	TITLE RING TONGUE TERMINAL, FUNNEL ENTRY, 6 AWG, NYLAKRIMP			
REV B	DESCRIPTION	4 PLACES	± ---	± ---	CHECKED BY JMACNEIL	DATE 2006/10/16	MOLEX INCORPORATED		
		3 PLACES	± ---	± ---	APPROVED BY JMACNEIL	DATE 2006/10/16			
		2 PLACES	± ---	± ---	MATERIAL NO. SEE CHART			DOCUMENT NO. SD-19067-013	SHEET NO. 1 OF 1
		1 PLACE	± ---	± ---	THIS DRAWING CONTAINS INFORMATION THAT IS PROPRIETARY TO MOLEX INCORPORATED AND SHOULD NOT BE USED WITHOUT WRITTEN PERMISSION				
		ANGULAR ± ---°							
		DRAFT WHERE APPLICABLE MUST REMAIN WITHIN DIMENSIONS							