

THE INFORMATION CONTAINED HEREIN IS CONSIDERED "PROPRIETARY" TO BEL FUSE INC. AND SHALL NOT BE COPIED, REPRODUCED OR DISCLOSED WITHOUT THE WRITTEN APPROVAL OF BEL FUSE INC.

LED 1 POLARITY			LED 2 POLARITY		
PIN 17	PIN 18	COLOR	PIN 19	PIN 20	COLOR
-	+	YELLOW	+	-	ORANGE
/	/	/	-	+	GREEN

PRELIMINARY



ELECTRICAL CHARACTERISTICS @ 25°C

URNS RATIO

TP2	1CT : 1CT ±2%
TP3	1CT : 1CT ±2%
TP4	1CT : 1CT ±2%

OC L @ 100kHz/100mVRMS (4CHANNEL)

11mA DC BIAS 350µH MIN.

Compliant to IEEE 802.3at specification

INS. LOSS

0.1MHz TO 1MHz	-1.1 dB MAX
1MHz TO 65MHz	-0.8 dB MAX
65MHz TO 100MHz	-1.0 dB MAX
100MHz TO 125MHz	-1.2 dB MAX

RET. LOSS (MIN)

0.5MHz-40MHz	-18 dB
40MHz-100MHz	-12+20LOG(f/80MHz) dB

CM TO CM REJ

100kHz - 100MHz -30 dB MIN

CM TO DM REJ

100kHz - 100MHz -35 dB MIN

HIPOT (Isolation Voltage):

2250 VDC

100% OF PRODUCTION TESTED TO COMPLY

WITH IEEE 802.3 ISOLATION REQUIREMENTS

BALANCED DC LINE CURRENT 720 mA MAX. @ 57 VDC CONTINUOUS

1.2 A MAX. @ 57 VDC FOR 200 MILLISECONDS

OPERATING TEMPERATURE:

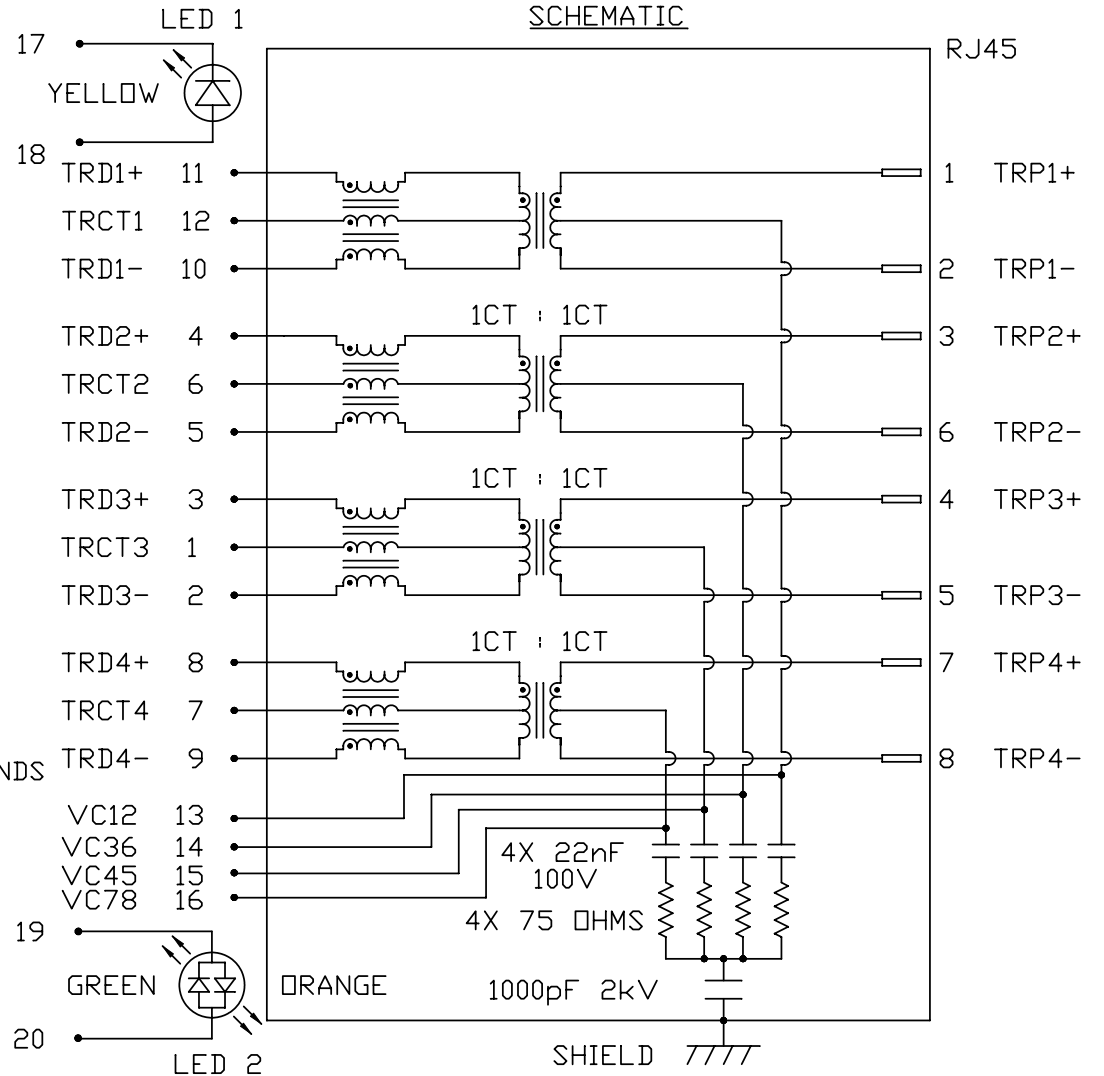
-40°C TO 85°C

LED 1

VF (FORWARD VOLTAGE)	IF=20mA YELLOW	2.1V TYP.
λD (DOMINANT WAVELENGTH)	IF=20mA YELLOW	590nm TYP.

LED 2

VF (FORWARD VOLTAGE)	IF=20mA GREEN	2.2V TYP.
	ORANGE	2.0V TYP.
λD (DOMINANT WAVELENGTH)	IF=20mA GREEN	565nm TYP.
	ORANGE	610nm TYP.



ORIGINATED BY	DATE
CHOW WANCHUNG	06-12-09
DRAWN BY	DATE
LI YONG FENG	06-12-09

TITLE	1X4 gigabit MagJack® (PoEp, Extended Temperature)
PART NO. / DRAWING NO.	08261X4TGH-F
FILE NAME	0826-1X4T-GH-F PATENTED 08261X4TGH-F_PB.DWG

STANDARD DIM. TOL. IN INCH	[] METRIC DIM. AS REFERENCE
.X	UNIT : INCH [mm]
.XX	SCALE : N/A
.XXX	REV. : PB
	SIZE : A4
	PAGE : 2

UNIT : INCH [mm]	REV. : PB
SCALE : N/A	SIZE : A4
PAGE : 2	



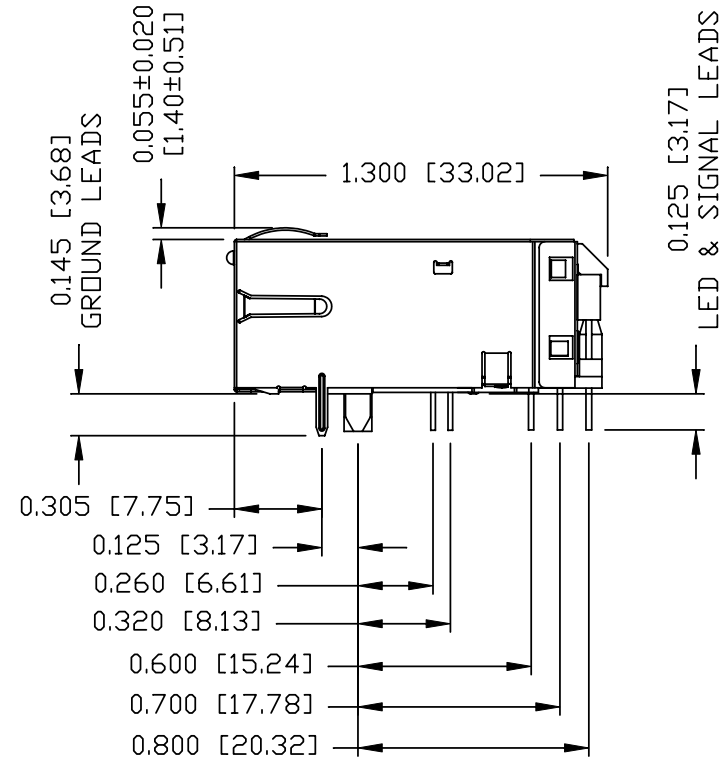
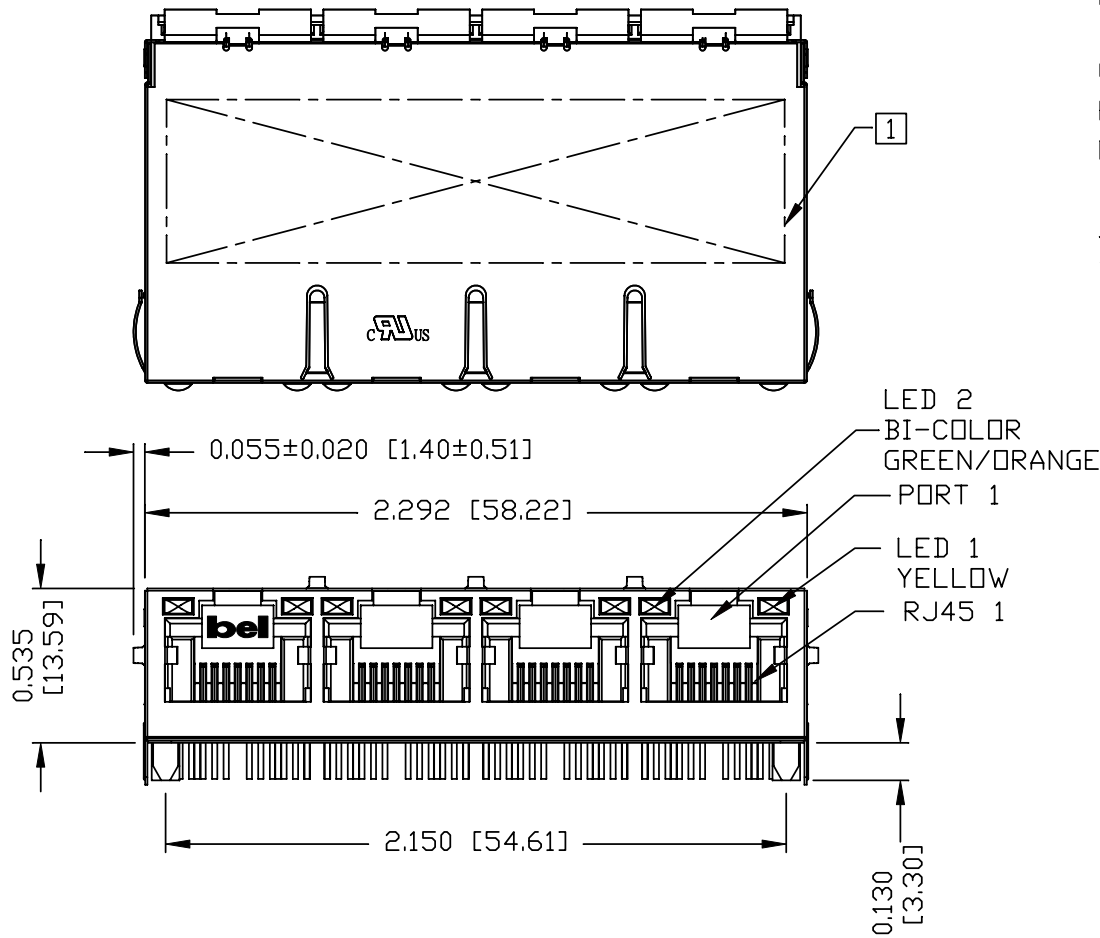
THE INFORMATION CONTAINED HEREIN IS CONSIDERED "PROPRIETARY" TO BEL FUSE INC. AND SHALL NOT BE COPIED, REPRODUCED OR DISCLOSED WITHOUT THE WRITTEN APPROVAL OF BEL FUSE INC.

PRELIMINARY



NOTES:

PLASTIC HOUSING: THERMOPLASTIC PBT
 FLAMMABILITY RATING UL 94V-0
 CONTACTS PLATING: 50 MICRO-INCH HARD GOLD PLATING
 PINS: TIN-COATED COPPER WIRE, DIA 0.018 INCH.
 METAL SHIELD: NICKEL PLATED ON COPPER ALLOY.
 (ALL GROUND LEADS ARE SOLDER DIPPED)
 JACK CAVITY CONFORMS TO FCC RULES AND REGULATIONS.
 THE PRODUCT IS PATENTED, THE PATENT NUMBER IS U.S. PAT. 5,736,910.



1 MARK PART WITH MFG LOGO, MFG NAME, PART NUMBER DATE CODE AND PATENTED.

RoHS COMPLIANCE, PER EU DIRECTIVE 2002/95/EC.

UL US UL RECOGNIZED - FILE #E196366 AND E169987.

ORIGINATED BY CHEN BILL	DATE 06-12-09	TITLE 1X4 gigabit MagJack® (PoEp, Extended Temperature)	PART NO. / DRAWING NO. 08261X4TGH-F		STANDARD DIM. TOL. IN INCH		[] METRIC DIM. AS REFERENCE	
			FILE NAME 08261X4TGH-F_PB.DWG		.X		UNIT : INCH [mm]	REV. : PB
DRAWN BY LIU QIN	DATE 06-12-09	0826-1X4T-GH-F PATENTED			.XX		SCALE : N/A	SIZE : A4
					.XXX	±0.010		PAGE : 3



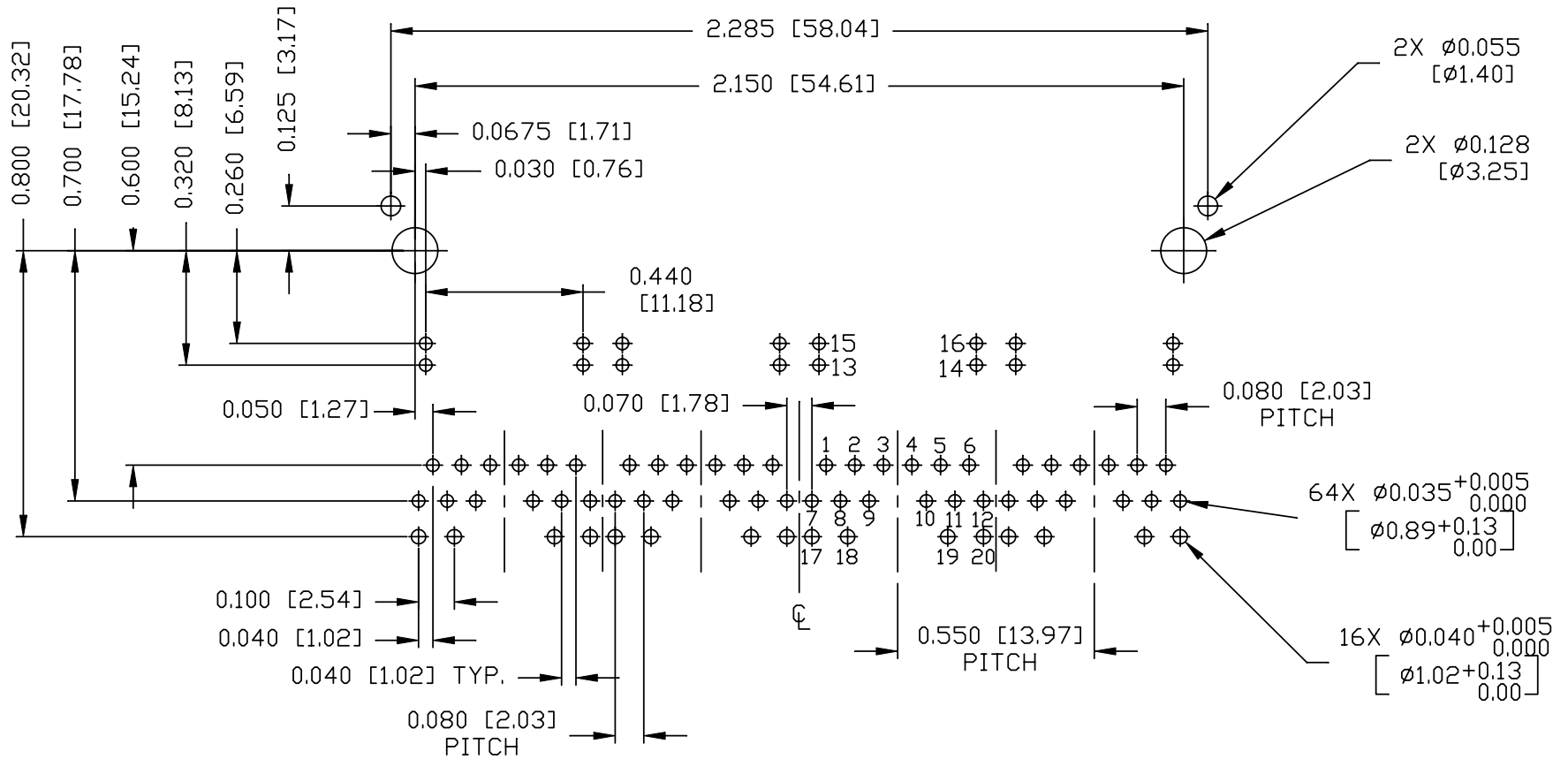
THE INFORMATION CONTAINED HEREIN IS CONSIDERED "PROPRIETARY" TO BEL FUSE INC. AND SHALL NOT BE COPIED, REPRODUCED OR DISCLOSED WITHOUT THE WRITTEN APPROVAL OF BEL FUSE INC.

RoHS
2002/95/EC



RECOMMENDED PCB FOOTPRINT
COMPONENT SIDE VIEW

PRELIMINARY

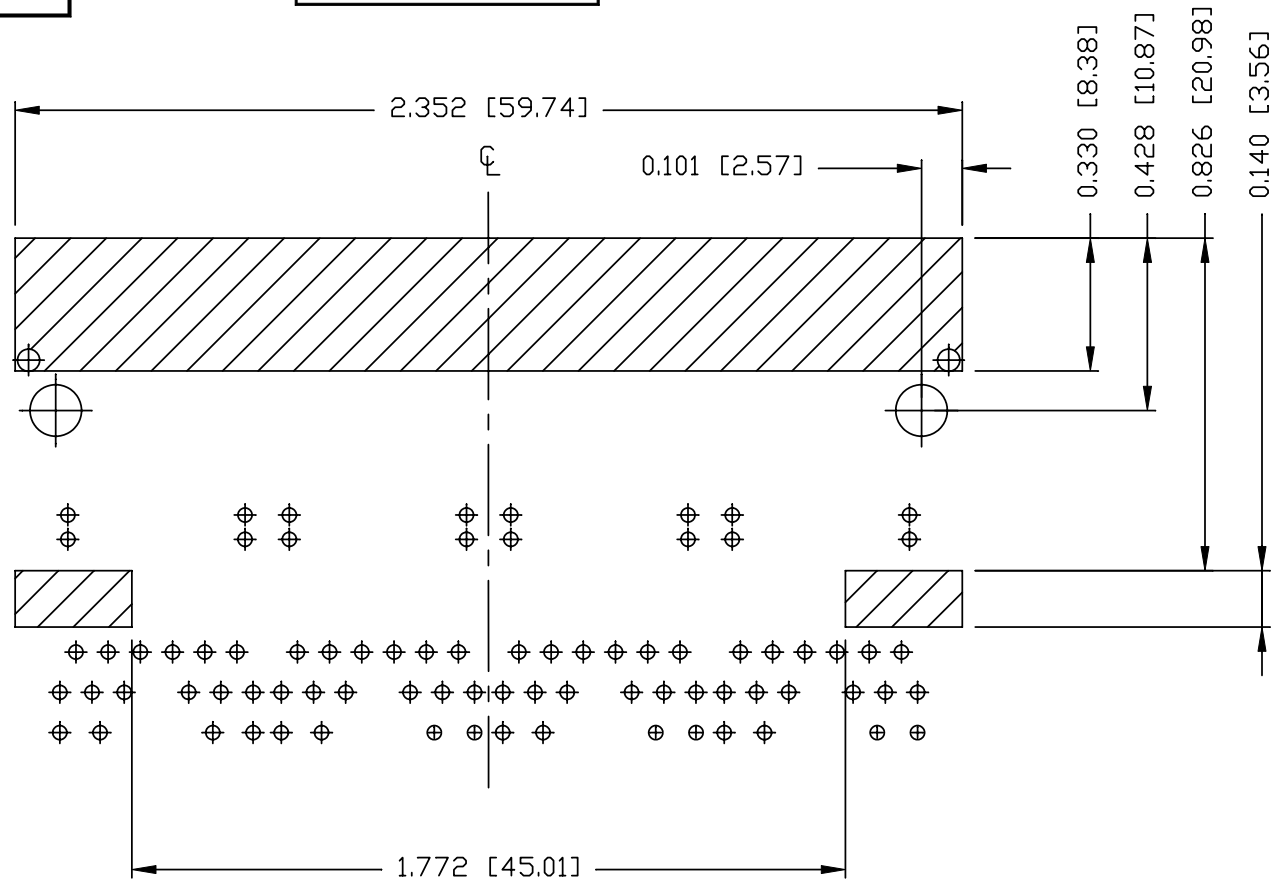


ORIGINATED BY CHEN BILL	DATE 06-12-09	TITLE 1X4 gigabit MagJack® (PoEp, Extended Temperature) 0826-1X4T-GH-F PATENTED	PART NO. / DRAWING NO. 08261X4TGH-F	STANDARD DIM.		[] METRIC DIM. AS REFERENCE	
				TOL. IN INCH		UNIT : INCH [mm]	REV. : PB
DRAWN BY LIU QIN	DATE 06-12-09		FILE NAME 08261X4TGH-F_PB.DWG	.X		SCALE : N/A	SIZE : A4
				.XX			PAGE : 4
				.XXX	±0.004		



THE INFORMATION CONTAINED HEREIN IS CONSIDERED "PROPRIETARY" TO BEL FUSE INC. AND SHALL NOT BE COPIED, REPRODUCED OR DISCLOSED WITHOUT THE WRITTEN APPROVAL OF BEL FUSE INC.

PRELIMINARY



NOTES:

THE SHADED AREA ON THE CUSTOMER BOARD ARE RECOMMENDED TO BE CLEAR OFF ANY VIA HOLE OR COMPONENT PAD.

ORIGINATED BY CHEN BILL	DATE 06-12-09	TITLE 1X4 gigabit MagJack® (PoEp, Extended Temperature) 0826-1X4T-GH-F PATENTED	PART NO. / DRAWING NO. 08261X4TGH-F	STANDARD DIM. TOL. IN INCH	[] METRIC DIM. AS REFERENCE		bel COMPONENTS FOR A CONNECTED PLANET
	DRAWN BY LIU QIN		DATE 06-12-09	FILE NAME 08261X4TGH-F_PB.DWG	.X .XX .XXX	UNIT : INCH [mm] SCALE : N/A ±0.004	

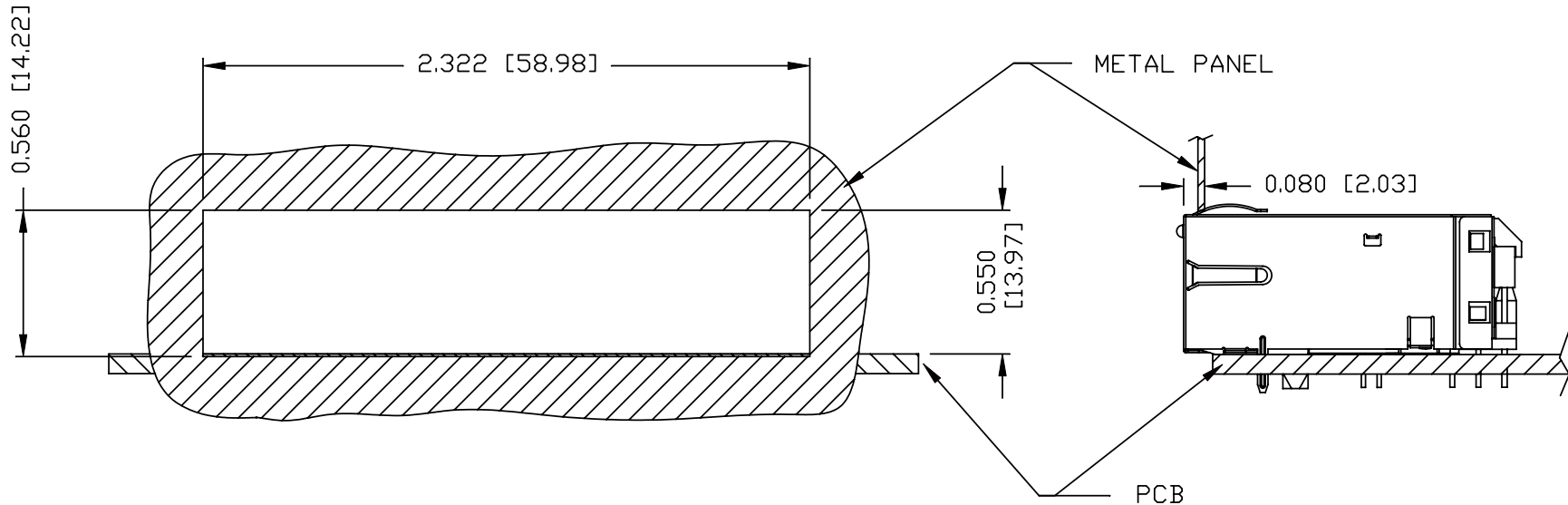
THE INFORMATION CONTAINED HEREIN IS CONSIDERED "PROPRIETARY" TO BEL FUSE INC. AND SHALL NOT BE COPIED, REPRODUCED OR DISCLOSED WITHOUT THE WRITTEN APPROVAL OF BEL FUSE INC.

RoHS
2002/95/EC



PRELIMINARY

SUGGESTED PANEL OPENING



NOTES:

THE DISTANCE OF PANEL INSIDE SURFACE RELATIVE TO FRONT SURFACE OF PART IS ONLY A SUGGESTION. IN CASE THIS DISTANCE IS DIFFERENT, THE REQUIRED PANEL OPENING DIMENSIONS CHANGE ACCORDINGLY.

PACKING INFORMATION

PACKING TRAY : 0200-9999-B4 (TOP)

0200-9999-B5 (BOTTOM)

PACKING QUANTITY : 24 PCS FINISHED GOODS PER TRAY

10 TRAYS (240 PCS FINISHED GOODS) PER CARTON BOX

NOTE : CARDBOARDS ARE PLACED BETWEEN LAYERS OF PACKING TRAY INSIDE CARTON BOX

(INCLUDE THE UPPERMOST AND LOWERMOST TRAY)

ORIGINATED BY	DATE	TITLE	PART NO. / DRAWING NO.	STANDARD DIM. TOL. IN INCH	[] METRIC DIM. AS REFERENCE
CHEN BILL	06-12-09	1X4 gigabit MagJack® (PoEp, Extended Temperature)	08261X4TGH-F	.X	UNIT : INCH [mm] REV. : PB
DRAWN BY	DATE	0826-1X4T-GH-F	FILE NAME	.XX	SCALE : N/A SIZE : A4
LIU QIN	06-12-09	PATENTED	08261X4TGH-F_PB.DWG	.XXX ±0.004	⊕ ← PAGE : 6

