

Finger-safe Fuse Holders for BS88 HRC Industrial Fuses

Description

A range of CSA certified IP20 finger-safe fuse holders for BS88 HRC industrial fuses in rating up to 400A.

Catalog Symbol

RS(AMP)(Connection Style/Color)

Ratings

- Volts: Up to 690Vac/dc*
- Amps: 20, 32, 63, 100, 200 and 400
- SCCR: 80kA

* AC Ratings vary by holder ampacity. See product tables for details.

Maximum Operating Temperature: 40°C

Wire Type: 70°C PVC/Cu

Wire Range: 8AWG to 500MCM (10 to 240mm²)

Termination/Connection Styles:

- Front connected (20-400A)
- Back stud connected (20-400A)
- Front/back stud connected (20-400A)
- Back stud connected, flush mounted (20A)

Agency Information

- CSA 22.2 No. 39, Class 6225 01, File 47235
- IEC 60269-1 & IEC 60269-2

Flammability Rating: RS20H to RS63H, V-1
RS100H to RS400H, V-0

Protection Level: IP20

Available Colors: Black, white, green and grey
(available colors vary by ampacity)

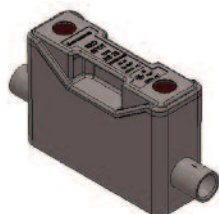


Features & Benefits

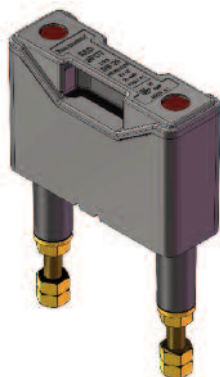
- Industry standard fuse holder for protecting utility and industrial installations for over 40 years
- Large, proven contact system and anti-vibration feature helps ensure perfect carrier contact alignment and superior electrical contact
- Conductor insulating sleeves help prevent inadvertent contact at the entry point while fully shrouded terminals deliver IP20 protection
- Molded parts made from flame-retardant, non-hygroscopic, high dielectric strength phenolic material
- A broad range of accessories and Bussmann fuses available for all Red Spot fuse holders

Available Termination/Connection Styles

Front Connected



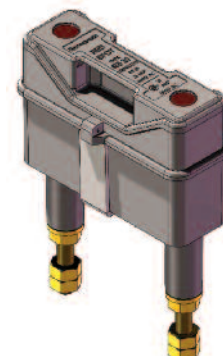
Back Stud Connected



Front/Back Stud Connected



Back Stud Connected -
Flush Mounted (20A only)



Red Spot Fuse Holders



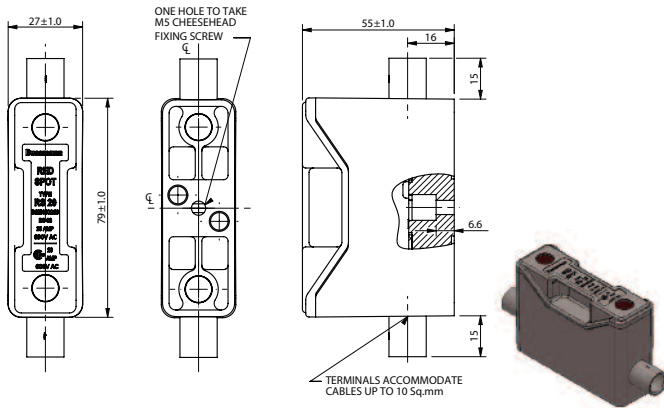
20 Amp Red Spot Holders

| Red Spot Fuse Holder Part Numbers | Rated Amps | Volts | | | Max-Min Conductor Size AWG (mm ²) | Termination/Connection Styles | Min. Torque Lb-In (N•m) | | Holder Color | Bussmann Fuse Family Symbol & Amp Range |
|-----------------------------------|------------|---------|---------|---------|---|------------------------------------|-------------------------|-------------------|--------------|---|
| | | IEC Vac | CSA Vac | CSA Vdc | | | Conductors | Fuse Mount Screws | | |
| RS20H | 20 | 690 | 600 | 690 | 8-10 (10-2) | Front Connected | 18 (2.03) | 11 (1.24) | Black | _CIF21 (1-20A) |
| RS20HWH | 20 | 690 | 600 | 690 | 8-10 (10-2) | Front Connected | 18 (2.03) | 11 (1.24) | White | |
| RS20HGN | 20 | 690 | 600 | 690 | 8-10 (10-2) | Front Connected | 18 (2.03) | 11 (1.24) | Green | |
| RS20HGY | 20 | 690 | 600 | 690 | 8-10 (10-2) | Front Connected | 18 (2.03) | 11 (1.24) | Grey | |
| RS20P/G | 20 | 690 | 600 | 690 | † | Back Stud Connected | † | 11 (1.24) | Black | |
| RS20P/GWH | 20 | 690 | 600 | 690 | † | Back Stud Connected | † | 11 (1.24) | White | |
| RS20P/GGN | 20 | 690 | 600 | 690 | † | Back Stud Connected | † | 11 (1.24) | Green | |
| RS20P/GGY | 20 | 690 | 600 | 690 | † | Back Stud Connected | † | 11 (1.24) | Grey | |
| RS20PH/G | 20 | 690 | 600 | 690 | 8-10 (10-2) [†] | Front/Back Stud Connected | 18 (2.03) [†] | 11 (1.24) | Black | |
| RS20F | 20 | 690 | 600 | 690 | † | Back Stud Connected, Flush Mounted | † | 11 (1.24) | Black | |
| RS20FWH | 20 | 690 | 600 | 690 | † | Back Stud Connected, Flush Mounted | † | 11 (1.24) | White | |
| RS20FGN | 20 | 690 | 600 | 690 | † | Back Stud Connected, Flush Mounted | † | 11 (1.24) | Green | |
| RS20FGY | 20 | 690 | 600 | 690 | † | Back Stud Connected, Flush Mounted | † | 11 (1.24) | Grey | |

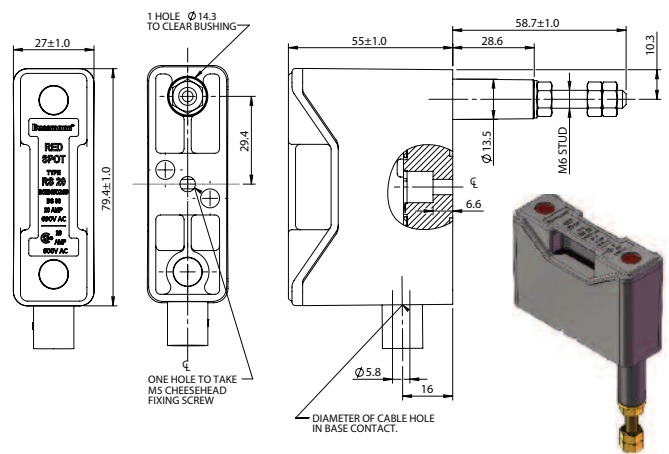
† Back stud connection requires use of customer supplied terminal lugs. Minimum/maximum conductor size and torque per terminal lug manufacturer.

Dimensions - mm

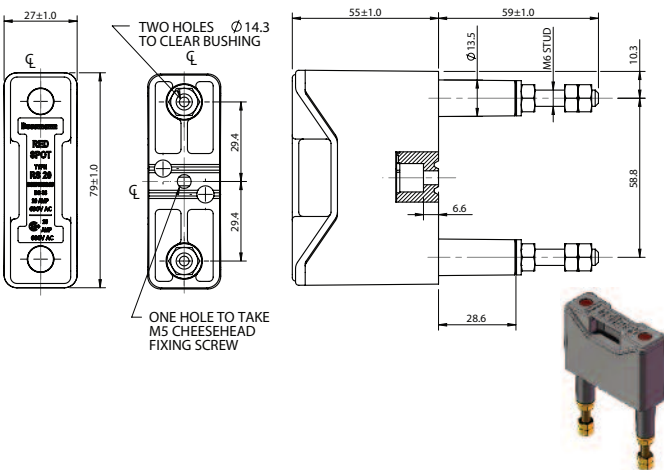
Front Connected



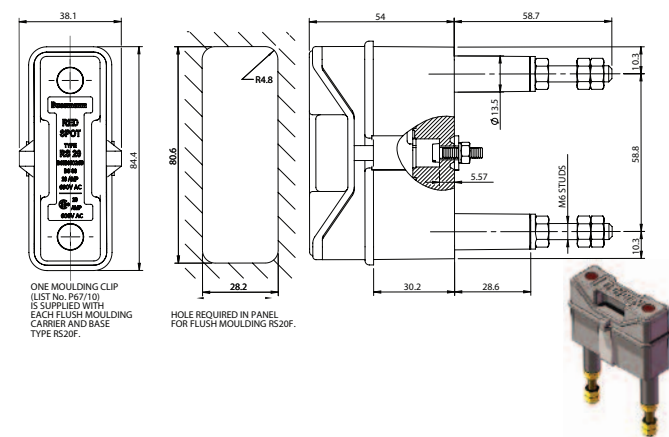
Front/Back Stud Connected



Back Stud Connected



Back Stud Connected, Flush Mounted



| Accessories | Part Number |
|----------------------|-------------|
| Padlockable Inserts | RS20LOCK |
| Red Warning Carriers | RS20RED |

Red Spot Fuse Holders



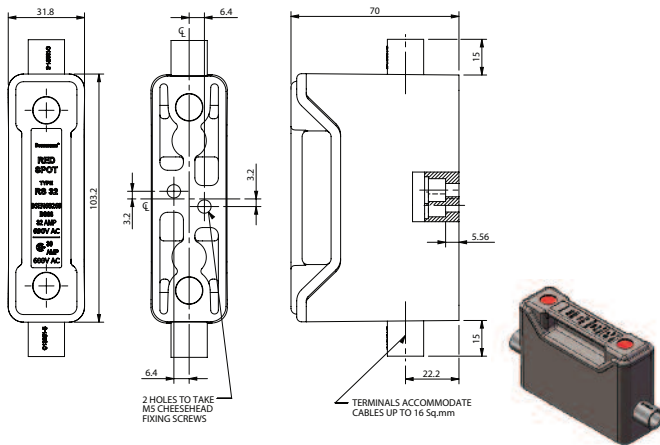
32 Amp Red Spot Holders

| Red Spot Fuse Holder Part Numbers | Rated Amps | Volts | | | Max-Min Conductor Size AWG (mm ²) | Termination/Connection Styles | Min. Torque Lb-In (N•m) | | Holder Color | Bussmann Fuse Family Symbol & Amp Range |
|-----------------------------------|------------|---------|---------|---------|---|-------------------------------|-------------------------|-------------------|--------------|---|
| | | IEC Vac | CSA Vac | CSA Vdc | | | Conductors | Fuse Mount Screws | | |
| RS32H | 32 | 690 | 600 | 690 | 6-10 (16-5) | Front Connected | 18 (2.03) | 18 (2.03) | Black | _CIH07 (25-30A) _H07C (25-30A) CGL_ (1-30A) |
| RS32HWH | 32 | 690 | 600 | 690 | 6-10 (16-5) | Front Connected | 18 (2.03) | 18 (2.03) | White | |
| RS32HGN | 32 | 690 | 600 | 690 | 6-10 (16-5) | Front Connected | 18 (2.03) | 18 (2.03) | Green | |
| RS32P | 32 | 690 | 600 | 690 | † | Back Stud Connected | † | 18 (2.03) | Black | |
| RS32PWH | 32 | 690 | 600 | 690 | † | Back Stud Connected | † | 18 (2.03) | White | |
| RS32PGN | 32 | 690 | 600 | 690 | † | Back Stud Connected | † | 18 (2.03) | Green | |
| RS32PH | 32 | 690 | 600 | 690 | 6-10 (16-5)† | Front/Back Stud Connected | 18 (2.03)† | 18 (2.03) | Black | |

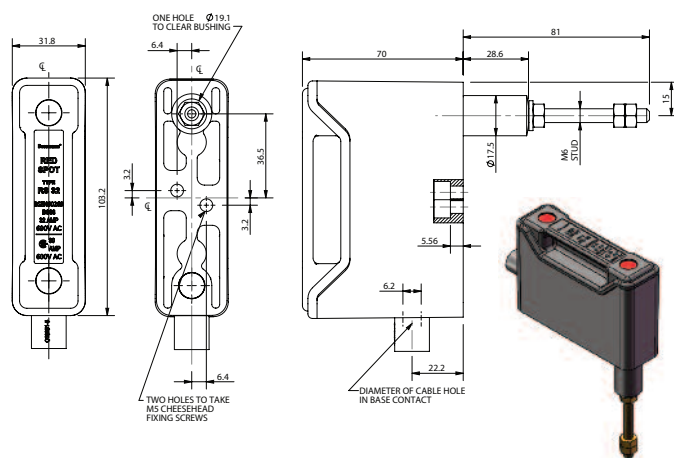
† Back stud connection requires use of customer supplied terminal lugs. Minimum/maximum conductor size and torque per terminal lug manufacturer.

Dimensions - mm

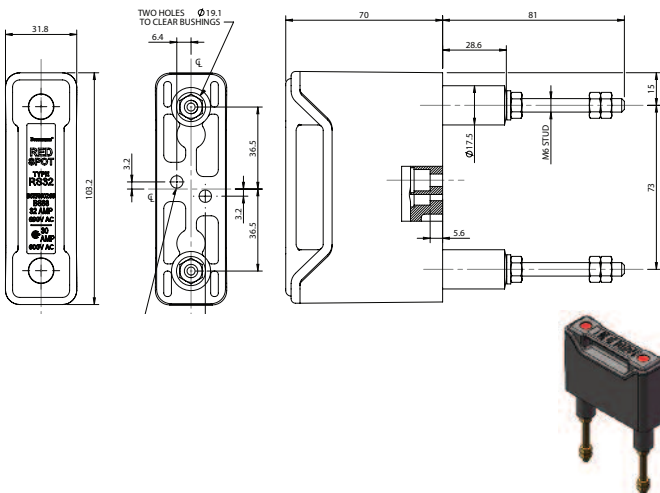
Front Connected



Front/Back Stud Connected



Back Stud Connected



| Accessories | Part Number | Use with GS Fuse |
|------------------------|-------------|------------------|
| Padlockable Inserts | RS32LOCK | — |
| Red Warning Carriers | RS32RED | — |
| Adaptors for GS Fuses* | GRS32-A | GSA 5 to 20A |

* One kit required per fuse.

Red Spot Fuse Holders



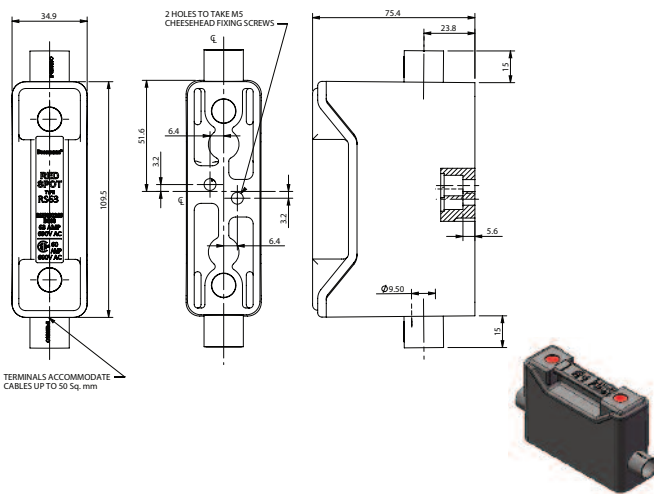
63 Amp Red Spot Holders

| Red Spot Fuse Holder Part Numbers | Rated Amps | Volts | | | Max-Min Conductor Size AWG (mm ²) | Termination/Connection Styles | Min. Torque Lb-In (N•m) | | Holder Color | Bussmann Fuse Family Symbol & Amp Range |
|-----------------------------------|------------|---------|---------|---------|---|-------------------------------|-------------------------|-------------------|--------------|--|
| | | IEC Vac | CSA Vac | CSA Vdc | | | Conductors | Fuse Mount Screws | | |
| RS63H | 63 | 690 | 600 | 690 | 1-6 (50-13) | Front Connected | 31 (3.50) | 18 (2.03) | Black | _CIK07 (35-60A) _K07C (40-60A) CGL- (35-60A) |
| RS63HWH | 63 | 690 | 600 | 690 | 1-6 (50-13) | Front Connected | 31 (3.50) | 18 (2.03) | White | |
| RS63P | 63 | 690 | 600 | 690 | † | Back Stud Connected | † | 18 (2.03) | Black | |
| RS63PWH | 63 | 690 | 600 | 690 | † | Back Stud Connected | † | 18 (2.03) | White | |
| RS63PH | 63 | 690 | 600 | 690 | 1-6 (50-13)† | Front/Back Stud Connected | 31 (3.50)† | 18 (2.03) | Black | |
| RS63PHWH | 63 | 690 | 600 | 690 | 1-6 (50-13)† | Front/Back Stud Connected | 31 (3.50)† | 18 (2.03) | White | |

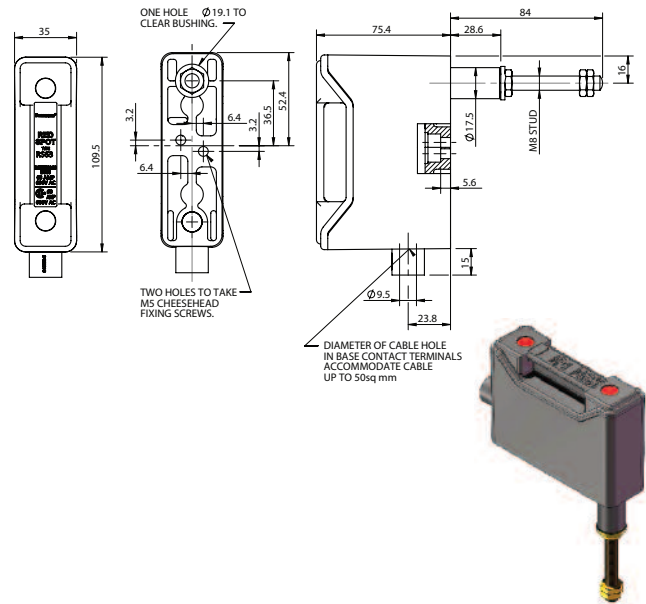
† Back stud connection requires use of customer supplied terminal lugs. Minimum/maximum conductor size and torque per terminal lug manufacturer.

Dimensions - mm

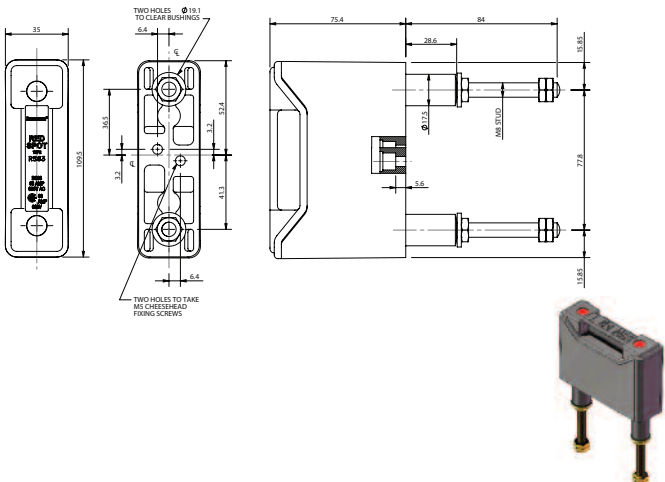
Front Connected



Front/Back Stud Connected



Back Stud Connected



| Accessories | Part Number | |
|------------------------|-------------|---------------|
| Padlockable Inserts | RS63LOCK | — |
| Red Warning Carriers | RS63RED | — |
| Adaptors for GS Fuses* | GRS63-A | GSA 25 to 50A |

* One kit required per fuse.

Red Spot Fuse Holders



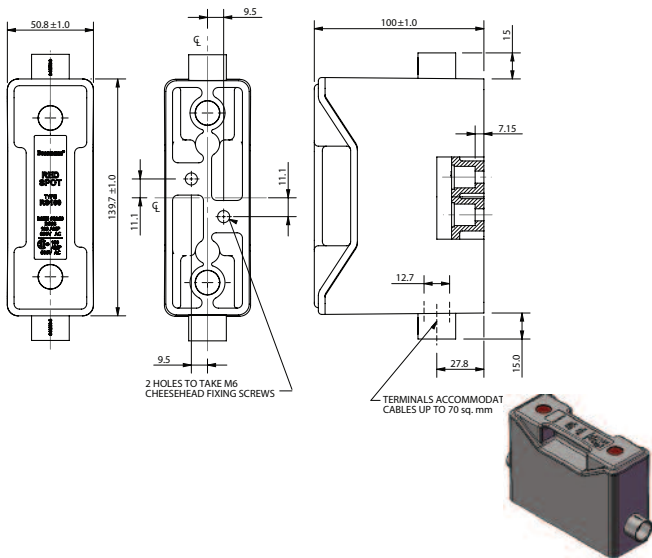
100 Amp Red Spot Holders

| Red Spot Fuse Holder Part Numbers | Rated Amps | Volts | | | Max-Min Conductor Size AWG (mm ²) | Termination/Connection Styles | Min. Torque Lb-In (N•m) | | Holder Color | Bussmann Fuse Family Symbol & Amp Range |
|-----------------------------------|------------|---------|---------|---------|---|-------------------------------|-------------------------|-------------------|--------------|--|
| | | IEC Vac | CSA Vac | CSA Vdc | | | Conductors | Fuse Mount Screws | | |
| RS100H | 100 | 660 | 600 | 690 | 3/0-4 (70-21) | Front Connected | 35 (3.95) | 22 (2.50) | Black | _CIL14 (80-100A) _L14C (80-100A) CGL-_ (70-100A) |
| RS100HWH | 100 | 660 | 600 | 690 | 3/0-4 (70-21) | Front Connected | 35 (3.95) | 22 (2.50) | White | |
| RS100P | 100 | 660 | 600 | 690 | † | Back Stud Connected | † | 22 (2.50) | Black | |
| RS100PWH | 100 | 660 | 600 | 690 | † | Back Stud Connected | † | 22 (2.50) | White | |
| RS100PH | 100 | 660 | 600 | 690 | 3/0-4 (70-21)† | Front/Back Stud Connected | 35 (3.95)† | 22 (2.50) | Black | |

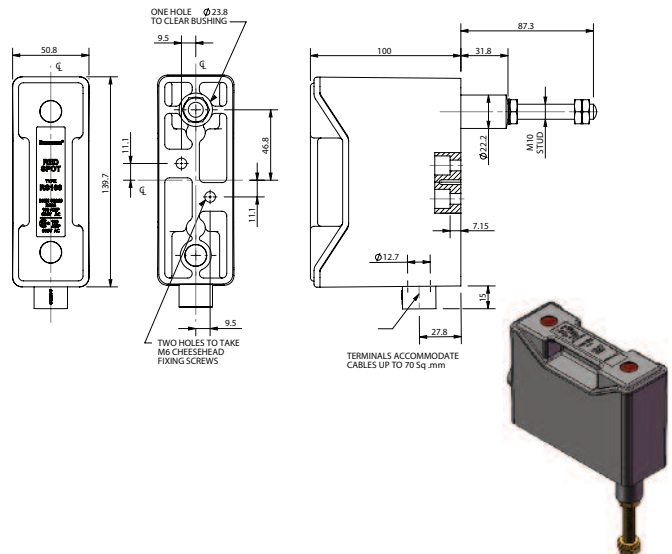
† Back stud connection requires use of customer supplied terminal lugs. Minimum/maximum conductor size and torque per terminal lug manufacturer.

Dimensions - mm

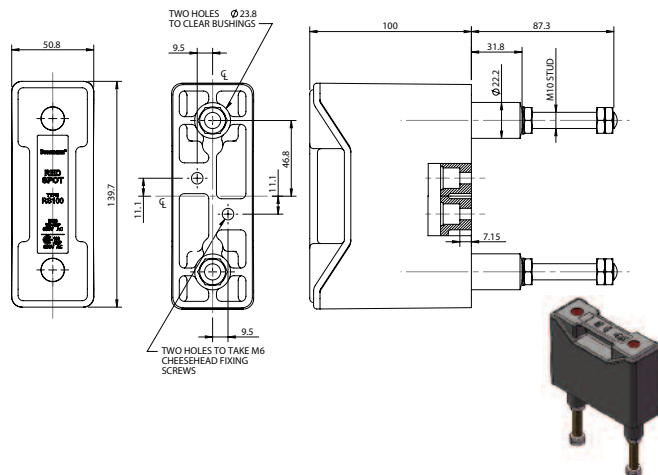
Front Connected



Front/Back Stud Connected



Back Stud Connected



| Accessories | Part Number | For Bussmann Fuses |
|----------------------|-------------|------------------------------------|
| Padlockable Inserts | RS100LOCK | — |
| Red Warning Carriers | RS100RED | — |
| Fuse Adaptor Kits* | P5372-10 | _CIH07 (25-30A) _CIK07 (35-60A) |

* One kit required per fuse.

Red Spot Fuse Holders



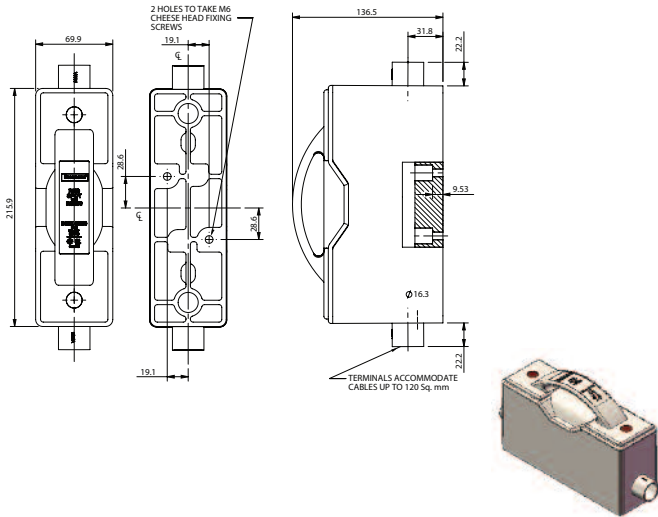
200 Amp Red Spot Holders

| Red Spot Fuse Holder Part Numbers | Rated Amps | Volts | | | Max-Min Conductor Size AWG (mm ²) | Termination/Connection Styles | Min. Torque Lb-In (N•m) | | Holder Color | Bussmann Fuse Family Symbol & Amp Range |
|-----------------------------------|------------|---------|---------|---------|---|-------------------------------|-------------------------|-------------------|--------------|---|
| | | IEC Vac | CSA Vac | CSA Vdc | | | Conductors | Fuse Mount Screws | | |
| RS200H | 200 | 690 | 600 | 690 | 250MCM-2/0 (120-67) | Front Connected | 222 (25.08) | 22 (2.50) | Black | _M09C (125-200A) CGL-_ (110-200A) |
| RS200HWH | 200 | 690 | 600 | 690 | 250MCM-2/0 (120-67) | Front Connected | 222 (25.08) | 22 (2.50) | White | |
| RS200P | 200 | 690 | 600 | 690 | † | Back Stud Connected | † | 22 (2.50) | Black | |
| RS200PWH | 200 | 690 | 600 | 690 | † | Back Stud Connected | † | 22 (2.50) | White | |
| RS200PH | 200 | 690 | 600 | 690 | 250MCM-2/0 (120-67)† | Front/Back Stud Connected | 222 (25.08)† | 22 (2.50) | Black | |

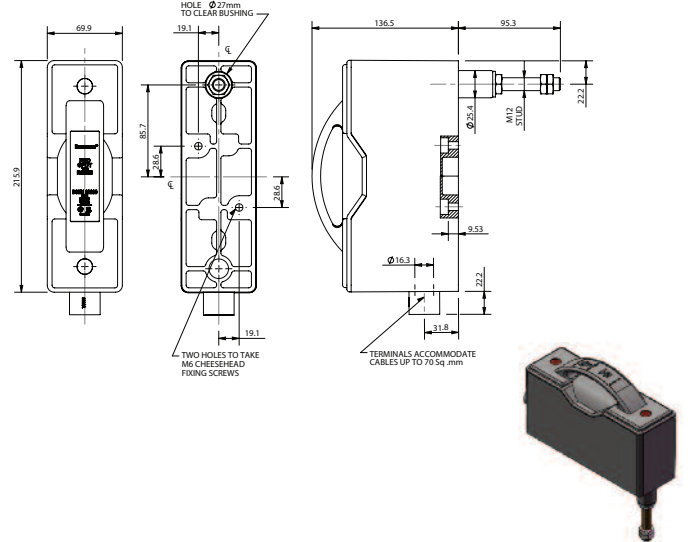
† Back stud connection requires use of customer supplied terminal lugs. Minimum/maximum conductor size and torque per terminal lug manufacturer.

Dimensions - mm

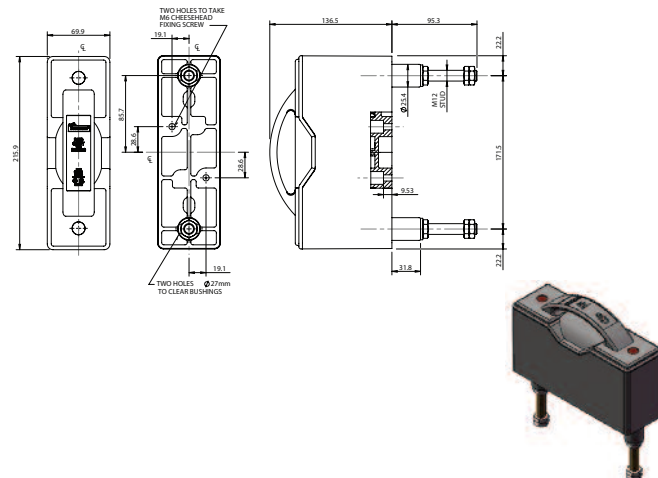
Front Connected



Front/Back Stud Connected



Back Stud Connected



Red Spot Fuse Holders



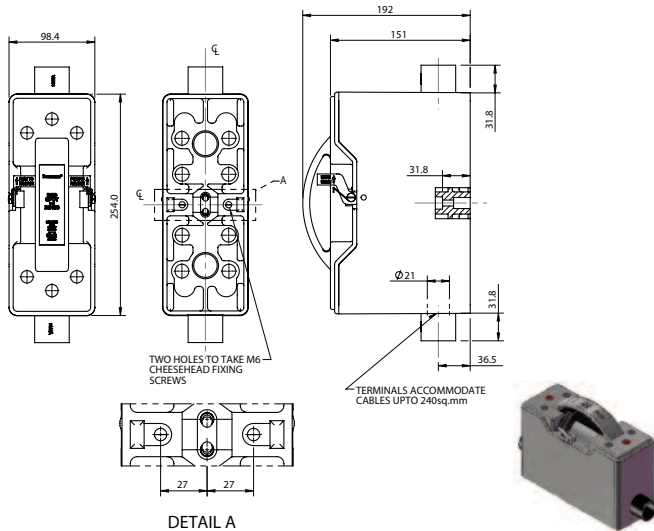
400 Amp Red Spot Holders

| Red Spot Fuse Holder Part Numbers | Rated Amps | Volts | | | Max-Min Conductor Size AWG (mm ²) | Termination/Connection Styles | Min. Torque Lb-In (N•m) | | Holder Color | Bussmann Fuse Family Symbol & Amp Range |
|-----------------------------------|------------|---------|---------|---------|---|-------------------------------|-------------------------|-------------------|--------------|---|
| | | IEC Vac | CSA Vac | CSA Vdc | | | Conductors | Fuse Mount Screws | | |
| RS400 | 400 | 660 | 600 | 690 | 500-250MCM (240-127) | Front Connected | 222 (25.08) | 53 (6.00) | Black | _P11C (250-400A) CGL-_ (225-400A) |
| RS400P | 400 | 660 | 600 | 690 | † | Back Stud Connected | † | 53 (6.00) | Black | |
| RS400PH | 400 | 660 | 600 | 690 | 500-250MCM (240-127)† | Front/Back Stud Connected | 222 (25.08)† | 53 (6.00) | Black | |

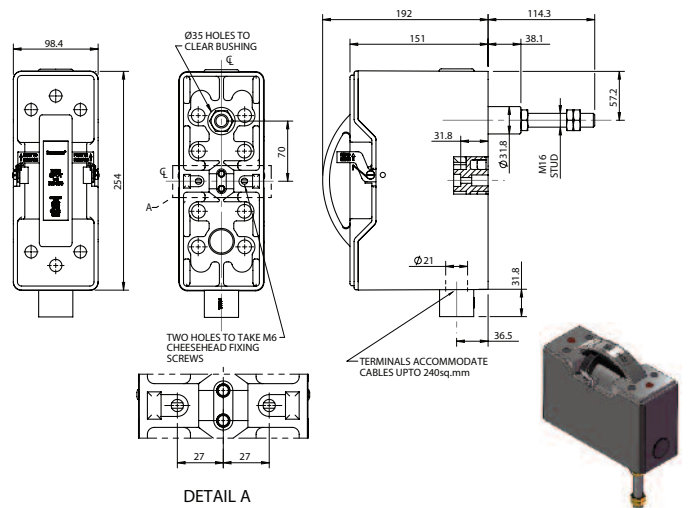
† Back stud connection requires use of customer supplied terminal lugs. Minimum/maximum conductor size and torque per terminal lug manufacturer.

Dimensions - mm

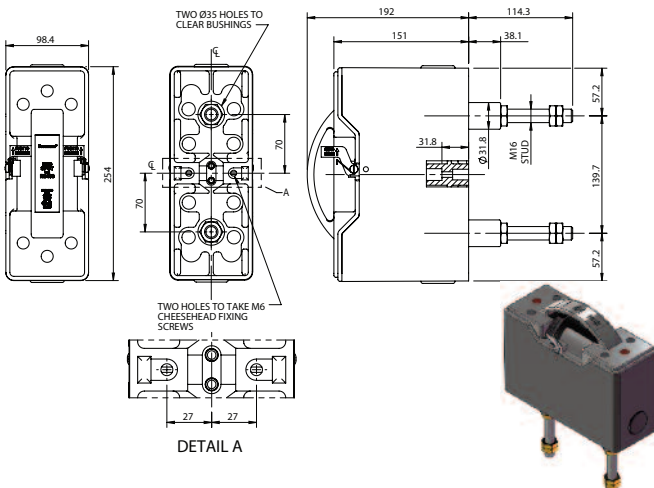
Front Connected



Front/Back Stud Connected



Back Stud Connected



| Accessories | Part Number | For |
|------------------------------|-------------|------------------|
| Adaptors for Bussmann Fuses* | TCA2 | _M09C (125-200A) |

* One kit required per fuse.

Red Spot Holder Accessories

Padlockable Inserts

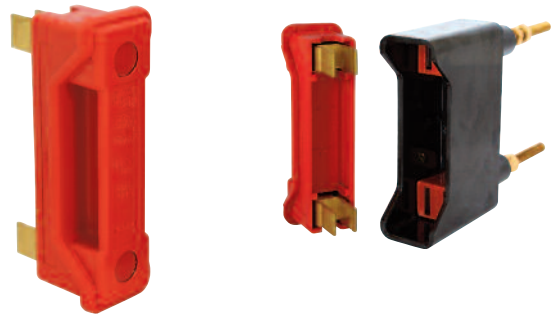
| Fuse Holder | Part Number |
|-------------|-------------|
| RS20 | RS20LOCK |
| RS32 | RS32LOCK |
| RS63 | RS63LOCK |
| RS100 | RS100LOCK |



Padlockable Insert fits into fuse holder and accepts small padlock.

Red Warning Carriers

| Fuse Holder | Part Number |
|-------------|-------------|
| RS20 | RS20RED |
| RS32 | RS32RED |
| RS63 | RS63RED |
| RS100 | RS100RED |

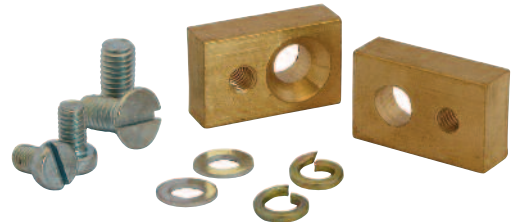


Red Warning Carrier replaces the regular fuse carrier and cannot hold a fuse.

Fuse Adaptor Kits

| Fuse Holder | Part Number* | Use with Bussmann Fuse |
|-------------|--------------|------------------------------------|
| RS100 | P5372-10 | _CIH07 (25-30A) _CIK07 (35-60A) |
| RS400 | TCA2 | _MC09C (125-200A) |

* One kit required per fuse.



Fuse Adaptor Kits mount on the fuse carrier to accept a smaller dimensioned fuse.

Adaptors for GS Fuses

| Fuse Holder | Part Number** | Use with GS Fuse |
|-------------|---------------|------------------|
| RS32 | GRS32-A | GSA 5 to 20A |
| RS63 | GRS63-A | GSA 25 to 50A |

* One kit required per fuse.



Adaptors for GS fuses mount on the fuse carrier to accept a smaller dimensioned fuse. Includes label to indicate use of GS fuse.

The only controlled copy of this Data Sheet is the electronic read-only version located on the Bussmann Network Drive. All other copies of this document are by definition uncontrolled. This bulletin is intended to clearly present comprehensive product data and provide technical information that will help the end user with design applications. Bussmann reserves the right, without notice, to change design or construction of any products and to discontinue or limit distribution of any products. Bussmann also reserves the right to change or update, without notice, any technical information contained in this bulletin. Once a product has been selected, it should be tested by the user in all possible applications.