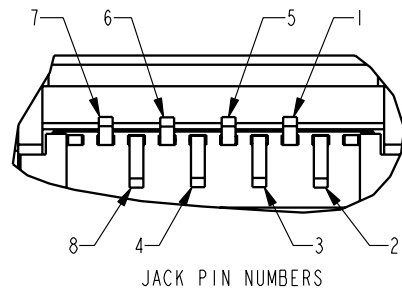
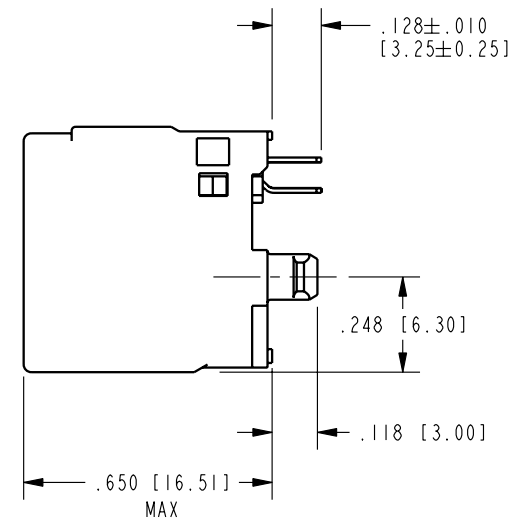
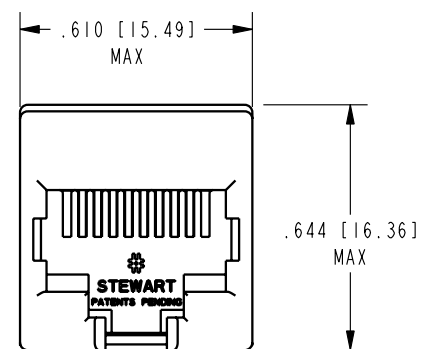


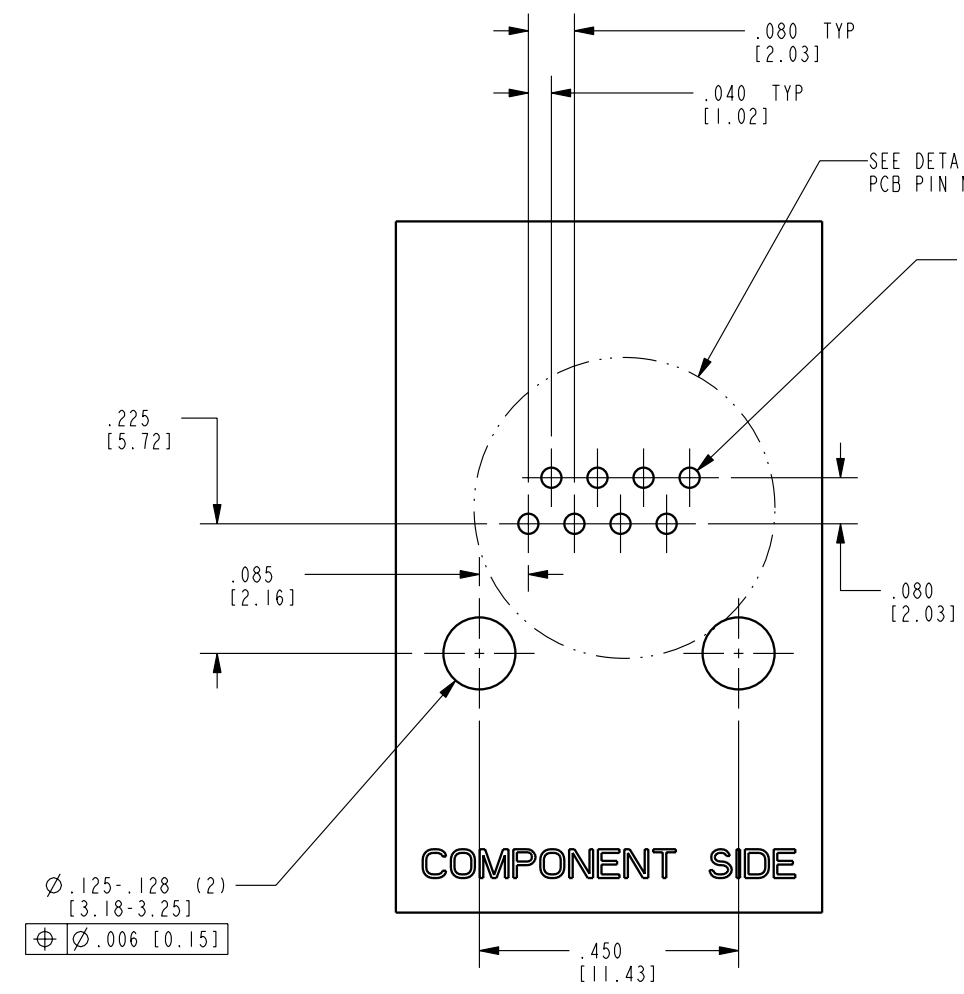
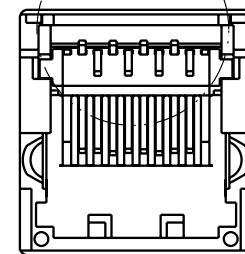
DATE	REV.	ECN	APP'D BY
1-19-07	C0	7903	SAW
9-26-07	D0	8241	TRM



JACK PIN NUMBERS

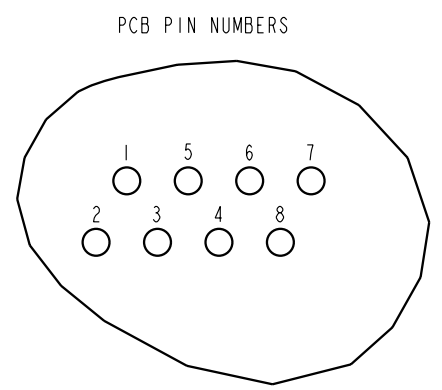


SEE DETAIL JACK PIN NUMBERS



COMPONENT SIDE

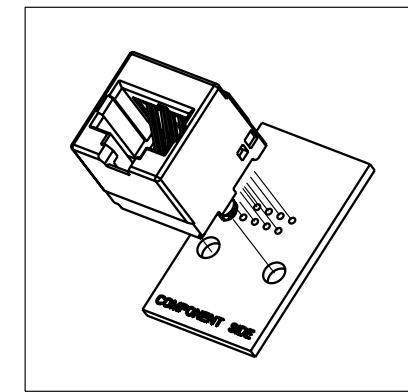
PCB RECOMMENDED HOLE LAYOUT
SEEN FROM COMPONENT SIDE
ALL CENTERLINE DIMENSIONS ARE BASIC



PCB PIN NUMBERS

- NOTES:
- CONNECTOR MATERIALS:
HOUSING: THERMOPLASTIC UL94 V-0
CONTACTS: COPPER ALLOY
CONTACT PLATING: SELECTIVE GOLD IN CONTACT AREA
SEE CHART FOR PART NUMBER
 - PRODUCT DESIGNED FOR CATEGORY 6 APPLICATIONS
 - TOLERANCES COMPLY WITH F.C.C. DIMENSION REQUIREMENTS
 - REFERENCE PRODUCT SPECIFICATION PR026-01

50 MICRO-INCHES [1.27um]	SS-60000-007
CONTACT PLATING IN MATING AREA	PART NUMBER



THIRD ANGLE PROJECTION	
DO NOT SCALE DRAWING DRAWING IS SUBJECT TO CHANGE WITHOUT NOTICE	
DIMENSIONS: INCHES [METRIC]	
UNLESS OTHERWISE SPECIFIED TOLERANCES ARE ±.005 [0.13] ANGLES ARE ±1°	
SHEET NO. 1 OF 1	

Bel Stewart Connector

11118 Susquehanna Trail South
Glen Rock, PA 17327-9199
(717) 235-7512 Fax: (717) 235-7954 <http://www.stewartconnector.com>

TITLE: CATEGORY 6 UNSHIELDED VERTICAL JACK

THIS DRAWING AND THE SUBJECT MATTER SHOWN THEREON ARE CONFIDENTIAL AND THE PROPRIETARY PROPERTY OF BEL STEWART CONNECTOR AND SHALL NOT BE REPRODUCED, COPIED, OR USED IN ANY MANNER WITHOUT PRIOR WRITTEN CONSENT OF BEL STEWART CONNECTOR. THE SUBJECT MATTER MAY BE PATENTED OR A PATENT MAY BE PENDING.

DRN BY: JRC	DATE 6-17-02
CKD BY: DHG	DATE 6-17-02
APPD BY: JRC	DATE 6-17-02
DWG. NO. CT600007	REV. D0