

Warranty Registration:
register online today for a chance
to win a FREE Tripp Lite product—
www.tripplite.com/warranty



Owner's Manual

PowerVerter®

DC-to-AC Inverter

Model: PV700HF

Input
12V DC

Output
120V, 60Hz AC



1111 W. 35th Street, Chicago, IL 60609 USA
www.tripplite.com/support

Reliable AC Power Wherever You Need It

Congratulations! You've purchased a high-quality Inverter designed to function as a mobile energy source powered by your automotive battery. PowerVerter Inverters convert 12V DC (battery) power into 120V AC (household) power, allowing you to use equipment you commonly use at home—computers, appliances, electronics, power tools and more—while traveling by automobile or working at remote locations that lack AC power. PowerVerter Inverters include advanced features that protect your equipment, lengthen the service life of your battery and ensure that you'll always have battery power to start your vehicle:

- Automatic Overload Protection
- Automatic Low Battery Protection
- High-Performance DC-to-AC Inversion
- Frequency-Controlled Output Power
- Simple, Maintenance-Free Operation
- Moisture-Resistant Construction*
- 3 AC Outlets

* The inverter is moisture-resistant, not waterproof.

Contents

Important Safety Instructions	2
Feature Identification	3
Operation	3
Battery Selection	3
Mounting	4
Battery Connection	4
Service	5
Maintenance/Troubleshooting	6
Specifications	6
Limited Warranty and Warranty Registration	6
Español	7
Français	14



SAVE THESE INSTRUCTIONS!

This manual contains important instructions and warnings that should be followed during the installation, operation and storage of all Tripp Lite Inverters.

Location Warnings

- Install your Inverter (whether for a mobile or stationary application) in a location or compartment that minimizes exposure to heat, dust, direct sunlight and moisture.
- Although your Inverter is moisture resistant, it is NOT waterproof. Flooding the unit with water will cause it to short circuit and could cause personal injury due to electric shock. Never immerse the unit, and avoid any area where standing water might accumulate. Mounting should be in the driest location available.
- Leave a minimum of 2 inches (5 cm) clearance at front and back of the Inverter for proper ventilation. The heavier the load of connected equipment, the more heat will be generated by the unit. Any compartment that contains the Inverter must be properly ventilated with adequate outside airflow to avoid overheating the Inverter.
- Do not install the Inverter directly near magnetic storage media, as this may result in data corruption.
- Do not install near flammable materials, fuel or chemicals.
- **Do not mount unit with its front or rear panel facing down (at any angle). Mounting in this manner will seriously inhibit the unit's internal cooling, eventually causing product damage not covered under warranty.**

Battery Connection Warnings

- Multiple battery systems must be comprised of batteries of identical voltage, age, amp-hour capacity and type.
- Because explosive hydrogen gas can accumulate near batteries if they are not kept well ventilated, your batteries should not be installed (whether for a mobile or stationary application) in a “dead air” compartment. Ideally, any compartment would have some ventilation to outside air.
- Sparks may result during final battery connection. Always observe proper polarity as batteries are connected.
- Do not allow objects to contact the two DC input terminals. Do not short or bridge these terminals together. Serious personal injury or property damage could result.
- Connect the Inverter to the battery with recommended DC fusing (see *Battery Connection*).

Ground Connection Warnings

- Safe operation requires connecting the Inverter's main grounding screw directly to the frame of the vehicle or earth ground.

Equipment Connection Warnings

Use of this equipment in life support applications where failure of this equipment can reasonably be expected to cause the failure of the life support equipment or to significantly affect its safety or effectiveness is not recommended. Do not use this equipment in the presence of a flammable anesthetic mixture with air, oxygen or nitrous oxide.

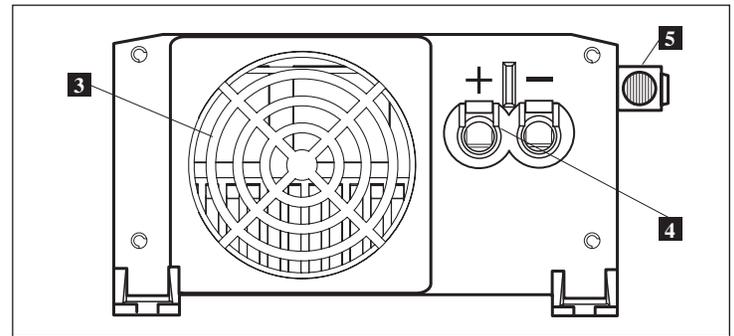
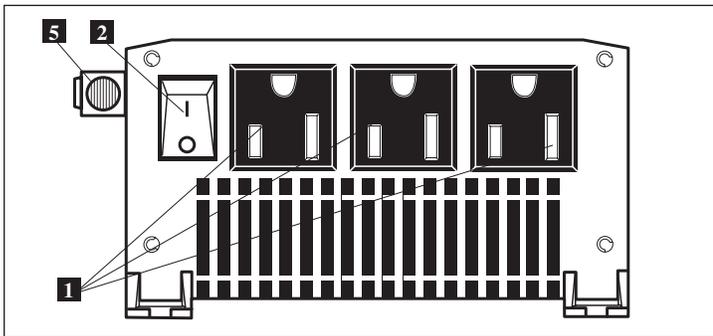
- You may experience uneven performance results if you connect a surge suppressor, line conditioner or UPS system to the output of the Inverter.

Operation Warnings

- Your Inverter does not require routine maintenance. Do not open the device for any reason. There are no user-serviceable parts inside.
- Potentially lethal voltages exist within the Inverter as long as the battery is connected. During any service work, the battery should therefore be disconnected.
- Do not connect or disconnect batteries while the Inverter is operating. Dangerous arcing may result.

Feature Identification

- 1 AC Outlets:** 3 NEMA 5-15R outlets allow you to connect equipment that you would normally plug into a utility outlet.
 - 2 Illuminated ON/OFF Switch:** When you set the switch to the ON position, the Inverter provides AC power by converting DC power from the connected battery. Set the switch to the OFF position to shut down the Inverter and conserve the battery's charge when you are not using connected equipment. Also set the switch to the OFF position to reset the Inverter if it has shut down due to low battery or overload. See the *Operation* section for more information.
 - 3 Cooling Fan:** This fan regulates the internal temperature of the Inverter and prolongs service life.
 - 4 DC Power Terminals:** These positive and negative terminals connect to the battery via user-supplied cabling. See the *Battery Connection* section for instructions.
 - 5 Main Ground Screw:** Connect to earth ground or to a vehicle or boat grounding system in order to properly ground the Inverter. See the *Battery Connection* section for instructions.
- Low Battery Alarm (not shown):** An internal circuit automatically detects low battery voltage and shuts down the Inverter to preserve your vehicle's battery. Turn the ON/OFF switch to the OFF position if the alarm sounds. See the *Operation* section for more information.
- Overload Alarm (not shown):** An internal circuit automatically detects overload conditions and shuts down the Inverter as a protective measure. Turn the ON/OFF switch to the OFF position if the alarm sounds. See the *Operation* section for more information.



Operation

Operating Modes

After mounting and connecting your Inverter according to the instructions in this manual, use the illuminated ON/OFF switch to choose the Inverter's operating mode.

ON: When you set the switch to the ON position, the Inverter provides AC power to connected equipment by converting DC power from your vehicle's battery.

OFF: Set the switch to the OFF position to shut down the Inverter completely, preventing it from drawing power from your vehicle's battery. Also set the switch to the OFF position to reset the Inverter if it has shut down due to low battery or overload.

Note: After the unit has been turned OFF, wait at least 10 seconds before turning the unit back ON. The unit will not function without this wait period.

Resetting the Inverter

The inverter may shut down and cease supplying AC power under certain conditions in order to protect itself, the battery and connected equipment. Follow these instructions to restore normal operation:

- Low Battery Alarm Reset:** If the Inverter has shut down due to low battery, (1) set the ON/OFF switch to the OFF position, (2) allow the Inverter to cool, (3) start the vehicle's engine to recharge the battery, (4) allow the battery to recharge completely and (5) set the ON/OFF switch to the ON position.
- Overload Alarm Reset:** If the Inverter has shut down due to overload, (1) set the ON/OFF switch to the OFF position, (2) allow the Inverter to cool, (3) remove the equipment that caused the overload, (4) confirm that any equipment now connected does not exceed the rated wattage of the Inverter and (5) set the ON/OFF switch to the ON position.

Battery Selection

Match Battery Amp-Hour Capacity to Your Application

Select a battery or system of batteries that will provide your Inverter with proper DC voltage and an adequate amp-hour capacity to power your application. Even though Tripp Lite Inverters are highly efficient at DC-to-AC inversion, their rated output capacities are limited by the total amp-hour capacity of connected batteries plus the output of an alternator when one is used.

Battery Selection

• STEP 1) Determine Total Wattage Required

Add the wattage ratings of all equipment you will connect to your Inverter. Wattage ratings are usually listed in equipment manuals or on nameplates. If your equipment is rated in amps, multiply that number times AC utility voltage to estimate watts. (Example: a drill requires 2.5 amps. 2.5 amps × 120 volts = 300 watts.)

NOTE: Your Inverter will operate at higher efficiencies at about 75% - 80% of nameplate rating.

• STEP 2) Determine DC Battery Amps Required

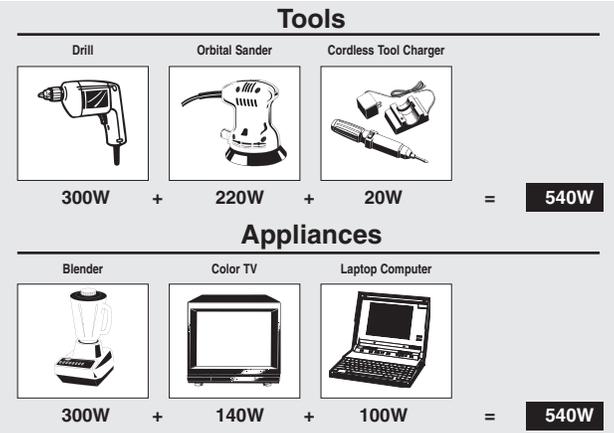
Divide the total wattage required (from Step 1, above) by the battery voltage to determine the DC amps required and multiply by 1.2 to account for conversion losses.

• STEP 3) Estimate Battery Amp-Hours Required

Multiply the DC amps required (from Step 2, above) by the number of hours you estimate you will operate your equipment exclusively from battery power before you have to recharge your batteries. This will give you a rough estimate of how many amp-hours of battery power (from one or several batteries) you should connect to your Inverter.

NOTE: Battery amp-hour ratings are usually given for a 20-hour discharge rate. Actual amp-hour capacities are less when batteries are discharged at faster rates. For example, batteries discharged in 55 minutes provide only 50% of their listed amp-hour ratings, while batteries discharged in 9 minutes provide as little as 30% of their amp-hour ratings.

Example



$$1.2 \times 540 \text{ watts} \div 12\text{V} = \mathbf{54 \text{ DC Amps}}$$

$$54 \text{ DC Amps} \times 5 \text{ Hrs. Runtime} = \mathbf{270 \text{ Amp-Hours}}$$

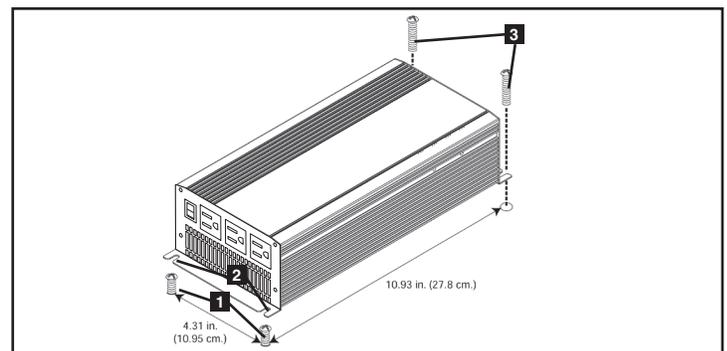
Mounting



WARNING! Mount your Inverter BEFORE DC battery connection. Failure to follow these instructions may lead to personal injury and/or damage to the Inverter and connected systems.

Tripp Lite recommends that you permanently mount your Inverter in the configuration illustrated below. The Inverter features integral mounting brackets on the front and rear of the unit. The user must supply mounting hardware and is responsible for determining if hardware and mounting surface are adequate to support the weight of the unit.

Using the measurements as shown in the diagram install two user-supplied fasteners **1**, leaving the heads slightly raised. Slide the unit over the fasteners to engage the mounting bracket slots **2**. Tighten fasteners. Install two additional fasteners **3** over the remaining mounting bracket.



Battery Connection

Connect your Inverter to your batteries using the following procedures:

• **Connect DC Wiring:** Though your Inverter is a high-efficiency converter of electricity, its rated output capacity is limited by the length and gauge of the cabling running from the battery to the unit. Use the shortest length and largest diameter cabling (maximum 4 AWG or 5 mm) to fit your Inverter's DC Input terminals. Shorter

and heavier gauge cabling reduces DC voltage drop and allows for maximum transfer of current. Your Inverter is capable of delivering peak wattage at up to 200% of its rated continuous wattage output for brief periods of time. Heavier gauge cabling should be used when continuously operating heavy draw equipment under these

Battery Connection

conditions. Tighten your Inverter and battery terminals to approximately 3.5 Newton-meters of torque to create an efficient connection and to prevent excessive heating at this connection. Insufficient tightening of the terminals could void your warranty. **See Specifications for Recommended Cable Sizing.**

• **Connect Ground:** Using a 12-18 AWG (1-2 mm) wire, directly connect the Main Ground Screw to the vehicle's chassis or earth ground. See the Feature Identification section to locate the Main

Ground Screw. All installations must comply with national and local codes and ordinances.

• **Connect Fuse:** Tripp Lite recommends that you connect your Inverter's positive DC Terminal directly to a fuse(s) and fuse block(s) within 45 cm (18 inches) of the battery. The fuse's rating must equal or exceed the Minimum DC Fuse Rating listed in your Inverter's specifications. See Specifications for fuse recommendations. See diagrams below for proper fuse placement.



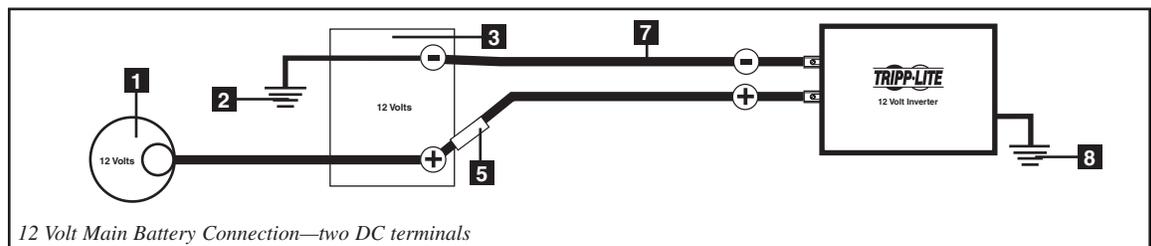
WARNING!

- Failure to properly ground your Inverter to a vehicle's chassis or earth ground may result in a lethal electrical shock hazard.
- Never attempt to operate your Inverter by connecting it directly to output from an alternator rather than a battery or battery bank.
- Observe proper polarity with all DC connections.

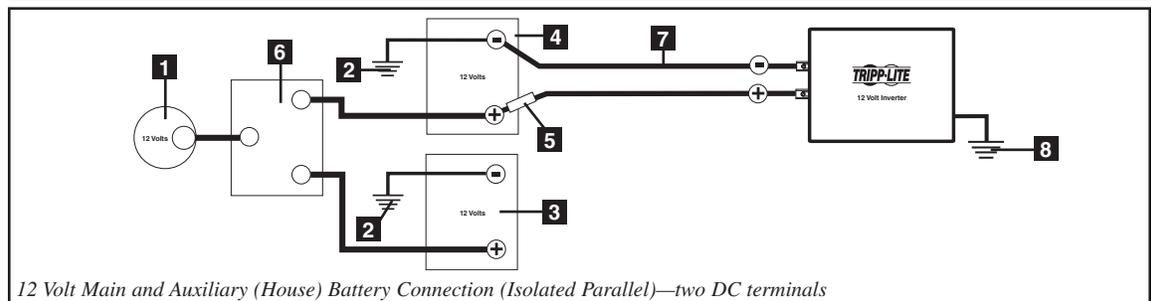
Vehicular Applications

Your Inverter's Nominal DC Input Voltage **must match** the voltage of your battery or batteries—12 Volts in most vehicular applications. It is possible to connect your Inverter to the main battery within your vehicle's electrical system. In many vehicular contexts, the Inverter will be connected to one or more dedicated auxiliary (house) batteries which are isolated from the drive system to prevent possible draining of the main battery.

- 1 12 Volt Alternator
- 2 Vehicle Battery Ground
- 3 12 Volt Main Battery
- 4 12 Volt Auxiliary (House) Battery
- 5 UL or CE Approved Fuses & Fuse Blocks (mounted within 18 inches [45 cm] of the battery)
- 6 Battery Isolator
- 7 Large Diameter Cabling, Maximum 4 AWG or 5 mm to Fit Terminals
- 8 12-18 AWG (1-2 mm) Ground Wire to Vehicle Frame or Earth Ground



12 Volt Main Battery Connection—two DC terminals



12 Volt Main and Auxiliary (House) Battery Connection (Isolated Parallel)—two DC terminals

Service

Your Tripp Lite product is covered by the warranty described in this manual. A variety of Extended Warranty and On-Site Service Programs are also available from Tripp Lite. For more information on service, visit www.tripplite.com/support. Before returning your product for service, follow these steps:

1. Review the installation and operation procedures in this manual to insure that the service problem does not originate from a misreading of the instructions.
2. If the problem continues, do not contact or return the product to the dealer. Instead, visit www.tripplite.com/support.
3. If the problem requires service, visit www.tripplite.com/support and click the Product Returns link. From here you can request a Returned Material Authorization (RMA) number, which is required for service. This simple on-line form will ask for your unit's model and serial numbers, along with other general purchaser information. The RMA number, along with shipping instructions will be emailed to you. Any damages (direct, indirect, special or consequential) to the product incurred during shipment to Tripp Lite or an authorized Tripp Lite service center is not covered under warranty. Products shipped to Tripp Lite or an authorized Tripp Lite service center must have transportation charges prepaid. Mark the RMA number on the outside of the package. If the product is within its warranty period, enclose a copy of your sales receipt. Return the product for service using an insured carrier to the address given to you when you request the RMA.

Maintenance

Your Inverter requires no maintenance and contains no user-serviceable or replaceable parts, but should be kept dry at all times. Periodically check, clean and tighten all cable connections as necessary, both at the unit and at the battery.

Troubleshooting

Please check the following before sending the Inverter in for service:

Symptom	Problem	Correction
Alarm sounds.	Low battery voltage (<10.5 V). Output overload.	Turn Inverter OFF and run engine to recharge vehicle battery. Turn Inverter OFF and remove overload by unplugging high-wattage devices. Load should not exceed your Inverter's maximum continuous output power (see Specifications).
Inverter does not turn ON when power switch is turned ON.	Automatic Inverter shutdown due to low battery voltage (<10V).	Turn Inverter OFF and run engine to recharge vehicle battery.
	Automatic Inverter shutdown due to output overload.	Turn Inverter OFF and remove overload by unplugging high-wattage devices. Load should not exceed your Inverter's maximum continuous output power (see Specifications).
	Blown fuse.	Replace fuse with standard automotive fuse of identical amperage (see Specifications).
Inverter is unable to power connected equipment.	Battery running low. Low battery voltage reduces Inverter power output.	Turn Inverter OFF and run engine to recharge vehicle battery.
	Connected equipment load exceeds Inverter's maximum continuous output power.	Turn Inverter OFF and remove overload by unplugging high-wattage devices. Load should not exceed your Inverter's maximum continuous output power (see Specifications).
Connected equipment experiences audio/video distortion.	Loose connections.	Check and secure all connections.
	Audio/video interference.	Reposition equipment antennas and Inverter.

Specifications

Model:	PV700HF
Output Power (Maximum Continuous Watts)*:	700
Output Power (Peak Watts)**:	1400
Input Voltage (DC):	12V nominal (10-15V)
Output Voltage (AC)/Frequency:	120V / 60 Hz. nominal
Output Waveform:	PWM Sine Wave
Low Battery Voltage Alarm (Volts):	10.5V
Low Battery Voltage Shutdown (Volts):	10V
AC Outlets:	3 (NEMA 5-15R)
Circuit Protection (Minimum DC Fuse Rating):	125-amp fuse (external)
Minimum Battery Cable Size:	6 AWG (4 mm)
Maximum Battery Cable Size:	4 AWG (5 mm)
Ground Cable Size:	12-18 AWG (1-2 mm)
Housing Material:	Extruded Aluminum

* Maximum output power (continuous or peak) only available when vehicle battery is properly charged. Run vehicle engine often to maintain proper charge. ** Peak Output Power is instantaneous.

Typical Runtimes Before Battery Recharge

Although you can operate your Inverter with your vehicle engine off, best results are usually attained with the engine running. Since the Inverter converts electrical energy (and doesn't produce it), the Inverter's performance is relative to the condition of your vehicle's electrical system (battery, alternator and wiring). If other loads (air conditioner, heater, lights, etc.) are also using power, you may get less runtime.

	With Typical Compact Vehicle (4 cylinder) Battery, Alternator & Wiring	With Typical Mid-Size Vehicle (6 cylinder) Battery, Alternator & Wiring	With Typical Full-Size Vehicle (8 cylinder) Battery, Alternator & Wiring
Model: PV700HF			
1/2 Load (engine ON)	continuous	continuous	continuous
Full Load* (engine ON)	1-2 hours	2-4 hours	continuous
1/2 Load (engine OFF)	not recommended	1 hours	2 hours
Full Load* (engine OFF)	not recommended	not recommended	1 hour

NOTE: You can maximize output power by following one or more of these steps: (1) connect multiple batteries to the Inverter; (2) keep batteries fully charged by running the vehicle's engine often; (3) install the Inverter as close to the batteries as possible; (4) connect the heaviest gauge cable possible to the Inverter's DC terminals; (5) use the Inverter in a vehicle with a heavy-duty alternator; (6) run the vehicle's engine at higher RPMs.

Battery Wiring Recommendations

For maximum efficiency, keep battery wires as short as possible. For very short runs, 6 AWG (4 mm) wiring may be adequate; for longer runs 4 AWG (5 mm) wiring is recommended. Acceptable output power is directly dependent on wire length: the shorter the wiring, the better the performance.

Limited Warranty and Warranty Registration

Tripp Lite warrants its Inverters to be free from defects in materials and workmanship for a period of 1 year from the date of initial purchase. Tripp Lite's obligation under this warranty is limited to repairing or replacing (at its sole option) any such defective products. To obtain service under this warranty you must obtain a Returned Material Authorization (RMA) number from Tripp Lite or an authorized Tripp Lite service center. Products must be returned to Tripp Lite or an authorized Tripp Lite service center with transportation charges prepaid and must be accompanied by a brief description of the problem encountered and proof of date and place of purchase.

This warranty does not apply to equipment which has been damaged by accident, negligence or misapplication or has been altered or modified in any way, including opening of the unit's casing for any reason. This warranty applies only to the original purchaser who must have properly registered the product within 10 days of purchase.

EXCEPT AS PROVIDED HEREIN, TRIPP LITE MAKES NO WARRANTIES, EXPRESS OR IMPLIED, INCLUDING WARRANTIES OF MERCHANTABILITY AND FITNESS FOR A PARTICULAR PURPOSE. Some states do not permit limitation or exclusion of implied warranties; therefore, the aforesaid limitation(s) or exclusion(s) may not apply to the purchaser.

EXCEPT AS PROVIDED ABOVE, IN NO EVENT WILL TRIPP LITE BE LIABLE FOR DIRECT, INDIRECT, SPECIAL, INCIDENTAL OR CONSEQUENTIAL DAMAGES ARISING OUT OF THE USE OF THIS PRODUCT, EVEN IF ADVISED OF THE POSSIBILITY OF SUCH DAMAGE. Specifically, Tripp Lite is not liable for any costs, such as lost profits or revenue, loss of equipment, loss of use of equipment, loss of software, loss of data, costs of substitutes, claims by third parties, or otherwise.

Warranty Registration

Visit www.tripplite.com/warranty today to register the warranty for your new Tripp Lite product. You'll be automatically entered into a drawing for a chance to win a FREE Tripp Lite product!*

* No purchase necessary. Void where prohibited. Some restrictions apply. See website for details.

Regulatory Compliance Identification Numbers

For the purpose of regulatory compliance certifications and identification, your Tripp Lite product has been assigned a unique series number. The series number can be found on the product nameplate label, along with all required approval markings and information. When requesting compliance information for this product, always refer to the series number. The series number should not be confused with the marking name or model number of the product.

Tripp Lite follows a policy of continuous improvement. Product specifications are subject to change without notice.



1111 W. 35th Street, Chicago, IL 60609 USA
www.tripplite.com/support

Manual del Propietario

PowerVerter®

Inversor CD-a-CA

Modelo: PV700HF

Entrada

12V CD

Salida

120V, 60Hz CA



1111 W. 35th Street, Chicago, IL 60609 USA

www.tripplite.com/support

Confiable Energía CA Cuando la Necesite

¡Felicidades! Usted ha comprado un Inversor de gran calidad diseñado para funcionar como una fuente de energía móvil alimentado por la batería de su automóvil. Los Inversores PowerVerter Convierten la energía de 12V CD (de la batería) en energía 120V CA (Casera-Doméstica), Permitiéndole usar equipo de uso domestico que usa en su casa—computadoras, utensilios eléctricos, equipo electrónico, herramientas eléctricas y más—mientras viaja en su automóvil o trabajar en ubicaciones remotas que carecen de energía CA. Los inversores PowerVerter incluyen características avanzadas que protegen su equipo alargando la vida de servicio de su batería y que aseguran que siempre contará con suficiente energía en la batería de su automóvil para poder arrancarlo nuevamente.

- Protección Automática contra Sobre Cargas
- Protección Automática contra Batería Baja
- Inversión CD-a-CA de Alto Rendimiento
- Energía de Salida con Frecuencia Controlada
- Operación Simple, Libre de Mantenimiento
- Construcción Resistente a la Humedad*
- 3 Tomas de Salida de CA

**El Inversor es resistente a la humedad. No es a prueba de agua.*

Contenido

Instrucciones de seguridad importantes 8

Identificación de funciones 9

Operación 9

Selección de baterías 10

Montaje 10

Conexión de la batería 11

Servicio/Mantenimiento/Solución de problemas 12

Especificaciones 13

Garantía limitada 13

English 1

Français 14



¡CONSERVE ESTAS INSTRUCCIONES!

Este manual contiene instrucciones y advertencias importantes que deben seguirse durante la instalación, operación y almacenamiento de todos los inversores de Tripp Lite.

Advertencias de ubicación

- Instale su inversor (ya sea para una aplicación móvil o fija) en un lugar o compartimiento que minimice la exposición al calor, al polvo, a la luz solar directa y a la humedad.
- Aunque su inversor es resistente a la humedad, no es impermeable. Llenar la unidad con agua causará un cortocircuito y podría causar lesiones personales por una descarga eléctrica. Nunca sumerja la unidad, y evite cualquier área en donde pueda acumularse agua. El montaje debe realizarse en la ubicación más seca disponible.
- Deje un espacio de al menos de 5 cm en la parte frontal y posterior del inversor para una adecuada ventilación. A mayor carga de equipo conectado, la unidad generará más calor. Cualquier compartimiento que contenga al Inversor debe estar adecuadamente ventilado con suficiente flujo de aire del exterior a fin de evitar sobre calentar el Inversor.
- No instale el inversor directamente cerca de medios de almacenamiento magnético, ya que puede dañar los datos.
- No instale el inversor cerca de materiales inflamables, combustibles o productos químicos.
- **No monte esta unidad con el panel frontal o con el panel trasero hacia abajo (Bajo ningún ángulo o inclinación). Si lo monta de esta manera, inhibirá seriamente el sistema de enfriamiento interno de la unidad; lo que finalmente causará daños al producto que no están cubiertos por la garantía.**

Advertencias de conexión de batería

- Los sistemas de baterías múltiples deben estar conformados por baterías con un voltaje, una antigüedad, una capacidad en amperos hora y un tipo idénticos.
- Debido a que puede acumularse gas hidrógeno explosivo cerca de las baterías si no están bien ventiladas, no debe instalar baterías (ya sea para una aplicación móvil o fija) en un área sin circulación de aire. En forma ideal, cualquier área debe tener ventilación al exterior.
- Pueden producirse chispas durante la conexión final de la batería. Siempre observe la correcta polaridad al conectar las baterías.
- No permita que ningún objeto entre en contacto con las dos terminales de entrada de corriente continua. No ponga en cortocircuito ni puentee estas terminales. Podrían producirse serias lesiones personales o daños a la propiedad.
- Conecte el Inversor a la batería con los fusibles para CD recomendados. (Vea *Conexión de la Batería*)

Advertencias Sobre la Conexión a Tierra

- Una operación segura requiere conectar la oreja de tierra principal del Inversor directamente al chasis del automóvil o directamente a tierra física.

Advertencias sobre la conexión de equipos

El uso de este equipo en aplicaciones de soporte de vida en donde la falla de este equipo pueda razonablemente hacer suponer que causará fallas en el equipo de soporte de vida o afecte significativamente su seguridad o efectividad, no está recomendado. No use este equipo en la presencia de una mezcla anestésica inflamable con aire, oxígeno u óxido nítrico.

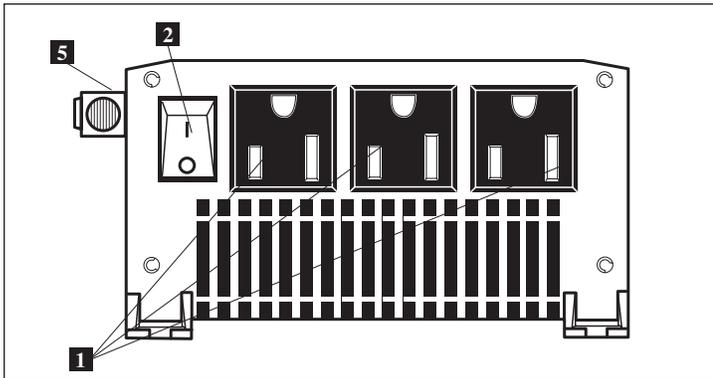
- Puede experimentar un funcionamiento irregular si conecta un supresor de picos, un regulador de voltaje o un UPS a la salida del inversor.

Advertencias de operación

- Su inversor no requiere mantenimiento de rutina. No abra el dispositivo por ninguna razón. No hay partes en su interior que requieran mantenimiento por parte del usuario.
- Mientras la alimentación de baterías y/o la entrada de corriente alterna estén conectadas, hay voltajes potencialmente letales dentro del inversor. En consecuencia, durante cualquier trabajo de mantenimiento, deben desconectarse la alimentación de las baterías y la entrada de corriente alterna.
- No conecte ni desconecte las baterías mientras el inversor está operando. Puede producirse un arco voltaico peligroso.

Identificación de funciones

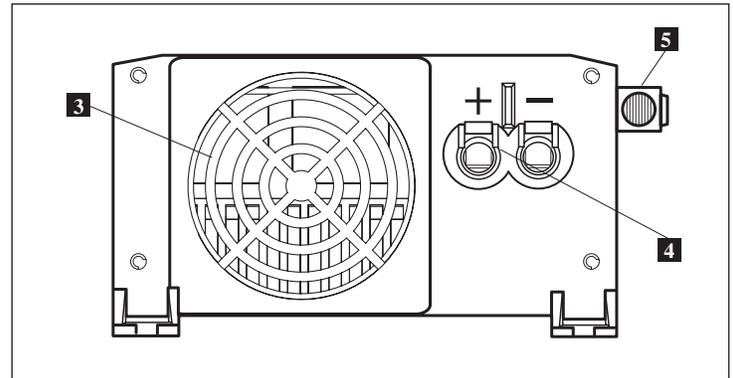
- 1 Tomas de salida de CA:** 3 receptáculos NEMA 5-15R de salida le permiten conectar equipos que usted normalmente conectaría en una toma de la red del servicio público.
- 2 Interruptor de Encendido y Apagado Iluminado:** Cuando coloca el interruptor en la posición ON [Encendido], el Inversor entregará energía CA al convertir la energía CD de la batería a la que está conectado. Coloque el interruptor en la posición OFF [Apagado] para apagar el Inversor y conservar la carga de la batería cuando no este usando el equipo conectado. También coloque el interruptor en la posición OFF [Apagado] para restaurar el Inversor si este se ha apagado debido a batería baja, sobre carga o sobre calentamiento. Vea la sección *Operación* para mayor información.
- 3 Ventilador de Enfriamiento:** Este ventilador regula la temperatura interna del Inversor y prolonga su vida de servicio.



- 4 Terminales CD:** Estas terminales, positiva y negativa, se conectan a la batería a través de un cable suministrado por el usuario. Vea la sección *Conexión de la Batería* para obtener instrucciones.
- 5 Oreja a Tierra Principal:** Conecte esta oreja a tierra física o al sistema a tierra de un vehículo o bote a fin de conectar adecuadamente a tierra el Inversor. Vea la sección *Conexión de la Batería* para obtener instrucciones.

Alarma de Batería Baja (no se muestra): Un circuito interno detecta automáticamente el bajo voltaje de una batería y apaga el Inversor para preservar la batería de su vehículo. Coloque el interruptor ON/OFF [Encendido/Apagado] en la posición "OFF" [Apagado] en el caso que sonara la alarma. Vea la sección *Operación* para más información.

Alarma de Sobre Carga (no se muestra): Un circuito interno detecta automáticamente condiciones de sobre carga y apaga el Inversor como una medida de protección. Coloque el interruptor ON/OFF [Encendido/Apagado] en la posición "OFF" [Apagado] si sonara la alarma. Vea la sección *Operación* para más información.



Operación

Modos de Operación

Después de montar y conectar el Inversor de acuerdo a las instrucciones de este manual, use el interruptor iluminado ON/OFF para seleccionar el modo de operación del Inversor.

ON [Encendido]: Cuando coloca el interruptor en la posición ON [Encendido], el Inversor entrega energía CA al equipo conectado al convertir la energía CD de la batería de su vehículo.

OFF [Apagado]: Coloque el interruptor en la posición OFF [Apagado] para apagar el Inversor completamente, evitando así que tome energía de la batería de su vehículo. También coloque el interruptor en la posición OFF [Apagado] para restaurar el Inversor si se ha apagado debido a batería baja, sobre carga o sobre calentamiento.

Nota: Después de APAGAR la unidad, espere 10 segundos como mínimo antes de volver a ENCENDERLA. La unidad no funcionará sin este período de espera.

Restaurando el Inversor

El Inversor puede apagarse y dejar de entregar energía CA bajo ciertas condiciones a fin de protegerse a si mismo, la batería y el equipo conectado. Siga estas instrucciones para restaurarlo a una operación normal.

- **Restaurar la Alarma de Batería Baja:** Si el Inversor se ha apagado debido a batería baja, (1) coloque el interruptor ON/OFF [Encendido/Apagado] en la posición OFF [Apagado], (2) permita que el Inversor se enfríe, (3) arranque el motor de su vehículo para recargar la batería, (4) permita que la batería se recargue completamente y (5) coloque el interruptor ON/OFF [Encendido/Apagado] en la posición ON [Encendido].
- **Restaurar la Alarma de Sobre Carga:** Si el Inversor se ha apagado debido a una sobre carga, (1) coloque el interruptor ON/OFF [Encendido/Apagado] en la posición OFF [Apagado], (2) permita que el Inversor se enfríe, (3) remueva el equipo que causó la sobre carga, (4) confirme que el equipo que está ahora conectado no exceda la capacidad de watts determinada para Inversor y (5) coloque el interruptor ON/OFF [Encendido/Apagado] en la posición ON [Encendido].

Selección de batería

Haga coincidir la capacidad en amperios-hora de su batería con su aplicación

Seleccione una batería o sistema de baterías que le proporcionarán a su inversor un voltaje de corriente continua adecuado y una capacidad en amperios por hora apropiada a la potencia de su aplicación. Aun cuando los inversores de Tripp Lite son muy eficientes en la inversión de corriente continua a corriente alterna, sus capacidades de salida están limitadas por la capacidad total en amperios por hora de las baterías conectadas, más la salida de un alternador si es que se utiliza.

• PASO 1) Determine la potencia total requerida

Añada la potencia nominal de todos los equipos que va a conectar a su inversor. La potencia nominal de un equipo normalmente está indicada en su manual o en su placa. Si su equipo tiene un valor en amperios, multiplique ese número por el voltaje en corriente alterna de la red para calcular los vatios. (Ejemplo: un taladro requiere 2.5 amperios. $2.5 \text{ amperios} \times 120 \text{ volts} = 300 \text{ watts}$)

NOTA: Su inversor operará a mayores eficiencias al 75% - 80%, aproximadamente de su valor de placa.

• PASO 2) Determine la corriente (en amperios) de corriente continua de batería requerida

Divida el número de watts totales requeridos (del Paso 1, arriba) entre el voltaje de la batería para determinar los amperios de corriente continua y multiplique por 1.2 para compensar por pérdidas en la conversión.

• PASO 3) Estime los amperios por hora de batería requeridos

Multiplique los amperios de corriente continua requeridos (del Paso 2 de arriba) por el número de horas que usted estima que operará su equipo exclusivamente con energía de batería antes de tener que recargar sus baterías. Esto le dará un estimado grueso de cuantos amperios por hora de energía de batería (de una o varias baterías) debe conectar a su inversor.

NOTA: La capacidad de amperios por hora de una batería usualmente se da considerando una descarga de 20 horas. Las capacidades reales de amperios por hora son menores cuando las baterías están descargando a mayor velocidad. Por ejemplo, baterías descargadas en 55 minutos proporcionan sólo 50% de sus amperios por hora nominales, mientras que las baterías descargadas en 9 minutos proporcionan apenas 30% de sus amperios por hora nominales..

Ejemplo

Herramientas

Taladro	Lijadora circular	Cargador inalámbrico		
				
300W	+	220W	+	20W
				=
				540W

Aparatos

Licudadora	TV Color	Computadora portátil		
				
300W	+	140W	+	100W
				=
				540W

$$1.2 \times 540 \text{ watts} \div 12 \text{ V} = \mathbf{54 \text{ amperios CC}}$$

$$54 \text{ amp. CC} \times 5 \text{ horas funcionamiento} = \mathbf{270 \text{ amperios por hora}}$$

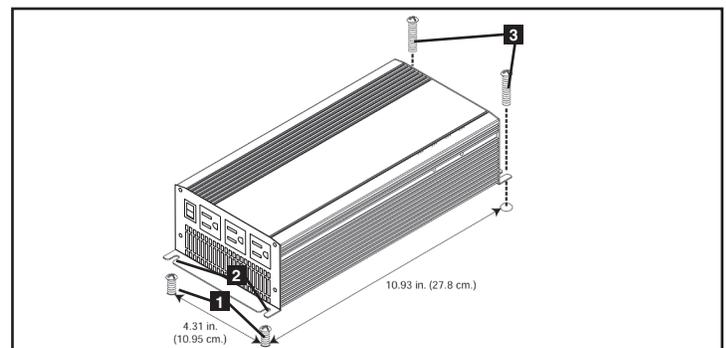
Montaje



¡ADVERTENCIA! Monte su inversor ANTES de conectar la batería de corriente continua. No seguir estas instrucciones puede producir lesiones personales y/o daños al inversor y a los sistemas conectados.

Tripp Lite recomienda el montaje permanente de su inversor en cualquiera de las configuraciones ilustradas abajo. El inversor presenta soportes de montaje integrados en las partes delantera y posterior de la unidad. El usuario debe suministrar la tornillería de montaje y es responsable de determinar si la misma y la superficie de montaje son adecuadas para soportar el peso del inversor.

Usando las medidas del diagrama, instale dos tornillos suministrados por el usuario **1**, dejando las cabezas ligeramente levantadas. Deslice la unidad hacia atrás sobre los tornillos para enganchar las ranuras de montaje moldeadas **2** en la parte inferior del gabinete del inversor. Instale dos tornillos adicionales **3** sobre la parte remanente de las ranuras de montaje.



Conexión de la batería

Conecte su inversor a sus baterías usando los siguientes procedimientos:

• **Conexión del cableado de corriente continua:** Aunque su inversor es un convertidor de electricidad de alta eficiencia, su capacidad de salida está limitada por la longitud y el calibre del cableado desde la batería hasta la unidad. Use la longitud más corta y el calibre de mayor diámetro del cableado (máximo calibre 4 AWG o 5 mm) para instalar los terminales de entrada de corriente continua de su inversor. Un cable más corto y de mayor calibre reduce la caída de voltaje de corriente continua y permite la máxima transferencia de corriente. Su inversor puede entregar una potencia máxima hasta de 200% de su salida de potencia permanente nominal por breves períodos de tiempo. Debe usarse un mayor calibre de

cable cuando se opere en forma permanente con equipos de alto consumo bajo estas condiciones. Apriete los terminales de su inversor y su batería hasta 3.5 Newton-metro de torque, aproximadamente, para crear una buena conexión y evitar su excesivo calentamiento. Apretar en forma deficiente las terminales podría anular su garantía. **Vea la Tabla de calibre mínimo de cable recomendado en Especificaciones.**

• **Conexión de tierra:** Usando un conductor calibre 12-18 AWG (1-2 mm), conecte directamente la oreja principal de tierra al chasis del vehículo o a la toma de tierra. Vea la sección Identificación de funciones para ubicar la oreja principal de tierra. Todas las instalaciones deben cumplir los códigos y

reglamentos locales y nacionales.

• **Conexión de fusible:** Tripp Lite recomienda que conecte la terminal de corriente continua positiva de su inversor directamente a un fusible o fusibles y bloques de fusibles dentro de 45 cm (18") de la batería. La capacidad del fusible debe ser igual o mayor que la mínima capacidad de fusible de CC indicada en las especificaciones de su inversor. Vea la sección Especificaciones para recomendaciones sobre fusibles y bloques de fusibles. Vea los diagramas siguientes para la correcta colocación de los fusibles.



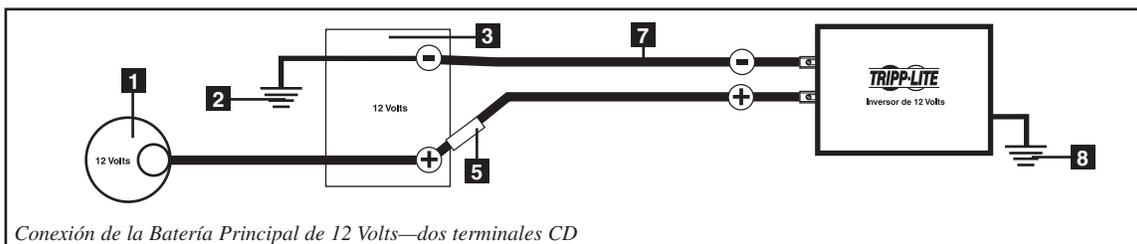
¡ADVERTENCIA!

- No poner a tierra correctamente su inversor, conectando al chasis del vehículo o a la tierra del sistema, puede producir un choque eléctrico letal.
- Nunca trate de operar su inversor conectándolo directamente a la salida de un alternador en lugar de a una batería o banco de baterías.
- Observe la polaridad correcta con todas las conexiones de corriente continua.

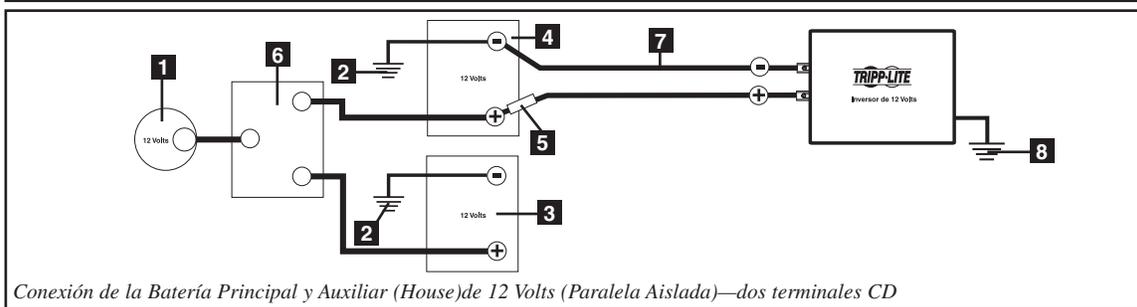
Aplicaciones Vehiculares

El Voltaje Nominal CD de Entrada de su Inversor debe coincidir con el voltaje de su(s) batería(s)—12V en la mayoría de la aplicaciones vehiculares. Es posible conectar su Inversor a la batería principal del sistema eléctrico de su vehículo. En muchos contextos vehiculares, el Inversor se conectará a una o más baterías auxiliares (House) dedicadas que están aisladas del sistema de conducción para evitar el posible agotamiento de la batería principal.

- 1 Alternador de 12 Volts
- 2 Tierra de la Batería del Vehículo
- 3 Batería Principal de 12 Volts
- 4 Batería Auxiliar (House)
- 5 Fusibles y Bloques de Fusibles aprobados por UL o CE (Montados dentro de 18 Pulgadas [45 cm] de la Batería)
- 6 Aisladores de la Batería
- 7 Cables de Gran Diámetro (Máximo 4 AWG o 5 mm para Ajustarse a las Terminales)
- 8 12-18 AWG o 1-2 mm Cable de Tierra al Bastidor del Vehículo o Tierra Física.



Conexión de la Batería Principal de 12 Volts—dos terminales CD



Conexión de la Batería Principal y Auxiliar (House) de 12 Volts (Paralela Aislada)—dos terminales CD

Servicio

Su producto Tripp Lite está cubierto por la garantía descrita en este manual. Tripp Lite también pone a su disposición una variedad de Garantías extendidas y Programas de servicio técnico en el sitio. Si desea más información sobre el servicio técnico, visite www.tripplite.com/support. Antes de devolver su producto para servicio técnico, siga estos pasos:

1. Revise la instalación y los procedimientos de operación que se encuentran en este manual para asegurarse de que el problema de servicio no se debe a una mala lectura de las instrucciones.
2. Si el problema persiste, no se comunique ni devuelva el producto al mayorista. En cambio, visite www.tripplite.com/support.
3. Si el problema exige servicio técnico, visite www.tripplite.com/support y haga clic en el enlace Devoluciones de productos. Desde aquí puede solicitar un número de Autorización de Material Devuelto (RMA), que se necesita para el servicio técnico. En este sencillo formulario en línea se le solicitarán los números de serie y modelo de la unidad, junto con otra información general del comprador. El número RMA y las instrucciones para el envío se le enviarán por correo electrónico. La presente garantía no cubre ningún daño (directo, indirecto, especial o consecuencial) del producto que ocurra durante el envío a Tripp Lite o a un centro de servicio técnico de Tripp Lite autorizado. Los productos enviados a Tripp Lite o a un centro de servicio técnico de Tripp Lite autorizado deben tener prepagos los cargos de transporte. Escriba el número RMA en el exterior del embalaje. Si el producto se encuentra dentro del período de garantía, adjunte una copia de su recibo de venta. Envíe el producto para servicio técnico mediante un transportador asegurado a la dirección que se le proporcionó cuando solicitó el número RMA.

Mantenimiento

Su inversor no requiere mantenimiento y no contiene partes reemplazables o a las que el usuario pueda dar servicio, pero siempre debe mantenerse seco. Revise, limpie y apriete periódicamente todas las conexiones de cables según sea necesario, tanto en la unidad como en la batería.

Solución de problemas

Por favor, revise lo siguiente antes de enviar el inversor para servicio:

Síntoma	Problema	Corrección
Suenan las alarmas.	Bajo voltaje de la batería (< 10.5 V).	Apague el inversor (OFF) y haga funcionar el motor para recargar la batería.
	Sobrecarga en la salida.	Apague el inversor (OFF) y elimine la sobrecarga desconectando dispositivos de alto consumo. La carga no debe exceder la máxima potencia de salida ininterrumpida de su inversor (consulte las especificaciones).
El inversor no enciende cuando se enciende (ON) el interruptor de alimentación.	Apagado automático del inversor debido a voltaje bajo de la batería (<10V).	Apague el inversor (OFF) y haga funcionar el motor para recargar la batería.
	Apagado automático del inversor debido a sobrecarga.	Apague el inversor (OFF) y elimine la sobrecarga desconectando dispositivos de alto consumo. La carga no debe exceder la máxima potencia de salida ininterrumpida de su inversor (consulte las especificaciones).
	Fusible quemado.	Reemplace el fusible con un fusible automotriz estándar de la misma capacidad (consulte las especificaciones).
El inversor no puede alimentar al equipo conectado.	La batería en operación está con carga baja. Un bajo voltaje de la batería reduce la salida de potencia del inversor.	Apague el inversor (OFF) y haga funcionar el motor para recargar la batería.
	La carga del equipo conectado excede la máxima potencia de salida ininterrumpida del inversor.	Apague el inversor (OFF) y elimine la sobrecarga desconectando dispositivos de alto consumo. La carga no debe exceder la máxima potencia de salida ininterrumpida de su inversor (consulte las especificaciones).
El equipo conectado experimenta distorsión de audio/vídeo.	Conexiones flojas o sueltas.	Revise y asegure todas las conexiones.
	Interferencia de audio/vídeo.	Reubique las antenas del equipo y el inversor.

Especificaciones

Modelo:	PV700HF
Potencia de salida (Watts máximos en forma continua)*:	700
Potencia de salida (Watts máximos)**:	1400
Voltaje de entrada (corriente continua):	12 V nominales (10-15V)
Voltaje (corriente alterna)/Frecuencia de salida :	120 V/ 60 Hz. nominales
Forma de onda de salida:	Onda sinusoidal PWM
Alarma de bajo voltaje de la batería (Volts):	10.5 V
Apagado por bajo voltaje de la batería (Volts):	10 V
Salidas de corriente alterna:	3 (NEMA 5-15R)
Protección de circuito (Clase/tipo mínimo del fusible CD):	Fusible de 125 ampers (externo)
Calibre mínimo del cable de la batería:	6 AWG (4 mm)
Calibre máximo del cable de la batería:	4 AWG (5 mm)
Calibre del cable de tierra:	12-18 AWG (1-2 mm)
Material del gabinete:	Aluminio moldeado

* Máxima potencia de salida (continua o máxima) sólo disponible cuando la batería del vehículo está adecuadamente cargado. Haga funcionar el motor del vehículo con frecuencia para mantener la carga adecuada. ** La potencia máxima de salida es instantánea.

Típicos tiempos de respaldo antes de recargar la batería

Aunque puede operar su inversor con el motor apagado, normalmente se alcanzan mejores resultados con el motor funcionando. Ya que el inversor convierte energía eléctrica (no la produce), su rendimiento es relativo a la condición del sistema eléctrico de su vehículo (batería, alternador y cableado) Si otras cargas (aire acondicionado, calefacción, luces, etc.) también están usando energía, puede obtener menor tiempo de respaldo.

	Con vehículos compactos típicos (4 cilindros) Batería, alternador y cableado	Con vehículos medianos típicos (6 cilindros) Batería, alternador y cableado	Con vehículos grandes típicos (8 cilindros) Batería, alternador y cableado
Modelo: PV700HF			
1/2 carga (Motor Encendido/En Marcha)	continuos	continuos	continuos
Carga Completa* (Motor Encendido/En Marcha)	1-2 horas	2-4 horas	continuos
1/2 Carga (Motor Apagado)	no recomendado	1 hora	2 horas
Carga Completa* (Motor Apagado)	no recomendado	no recomendado	1 hora

NOTA: Puede maximizar la potencia de la salida siguiendo uno o más de estos pasos: (1) conecte varias baterías al Inversor; (2) mantenga las baterías completamente cargadas arrancando el motor de su vehículo a menudo; (3) instale el Inversor lo más cerca que sea posible a las baterías; (4) conecte un cable, con el calibre más grueso que sea posible, a las terminales CD del Inversor; (5) use el Inversor en un vehículo con un alternador de uso pesado; (6) opere el motor del vehículo a RPM más altas.

Recomendaciones del Cableado de la Batería

Para una eficiencia máxima, mantenga los cables de la batería tan cortos como sea posible. Para corridas cortas un cableado 6 AWG (4 mm) puede ser adecuado; para corridas más largas se recomienda un cableado 4 AWG (5 mm). Una salida de potencia aceptable depende directamente de la longitud del cable. Entre más corto el cable mejor será el rendimiento.

Garantía limitada

Tripp Lite garantiza que sus inversores están libres de defectos en materiales y mano de obra por un período de un año a partir de la fecha de compra. Bajo esta garantía, la obligación de Tripp Lite está limitada a reparar o reemplazar (a su opción) cualquier producto defectuoso. Para obtener servicio bajo esta garantía, debe conseguir un número de Autorización de devolución de mercadería (RMA) de Tripp Lite o de un centro de servicio autorizado de Tripp Lite. Los productos deben ser devueltos a Tripp Lite o a un centro de servicio autorizado de Tripp Lite con los cargos de transporte pagados por adelantado y deben estar acompañados de una breve descripción del problema encontrado y un comprobante de la fecha y el lugar de compra.

Esta garantía no se aplica al equipo que ha sido dañado por accidente, negligencia o uso inadecuado, o que ha sido alterado o modificado en cualquier forma, incluyendo la abertura de la caja de la unidad por cualquier motivo. Esta garantía solamente se aplica al comprador original que debe haber registrado correctamente el producto dentro de los 10 días de la compra.

SALVO POR LO ESTABLECIDO EN ESTE DOCUMENTO, TRIPP LITE NO EXPRESA NINGUNA GARANTÍA, EXPRESA O IMPLÍCITA, INCLUYENDO GARANTÍAS DE COMERCIABILIDAD O IDONEIDAD PARA UN PROPÓSITO PARTICULAR. Algunos estados no permiten limitaciones o exclusiones de las garantías implícitas; por lo tanto, las limitaciones o exclusiones mencionadas anteriormente pueden no aplicarse al comprador.

SALVO POR LO ESTABLECIDO ARRIBA, EN NINGÚN CASO TRIPP LITE SERÁ RESPONSABLE POR DAÑOS DIRECTOS, INDIRECTOS, ESPECIALES, INCIDENTALES O EMERGENTES, RESULTANTES DEL USO DE ESTE PRODUCTO, AUN EN EL CASO DE HABERSE INFORMADO DE LA POSIBILIDAD DE DICHOS DAÑOS. Específicamente, Tripp Lite no es responsable por ningún costo, como pérdida de ingresos o beneficios, pérdida de equipos, pérdida de uso de equipos, pérdida de software, pérdida de datos, costos por reemplazos, reclamaciones de terceras partes, o lo que corresponda.

Cumplimiento de las normas de los números de identificación

Para fines de identificación y certificación del cumplimiento de las normas, su producto Tripp Lite tiene asignado un número de serie único. Puede encontrar el número de serie en la etiqueta de la placa de identificación del producto, junto con los símbolos de aprobación e información requeridos. Al solicitar información sobre el cumplimiento de las normas para este producto, siempre mencione el número de serie. El número de serie no debe ser confundido con el nombre de identificación ni con el número de modelo del producto.

Tripp Lite tiene una política de mejoramiento continuo. Las especificaciones están sujetas a cambio sin previo aviso.



1111 W. 35th Street, Chicago, IL 60609 USA
www.tripplite.com/support

Manuel du propriétaire

PowerVerter®

Convertisseur CC-CA

Modèle : PV700HF

Entrée

12 v CC

Sortie

120 v, 60 Hz CA



TRIPP·LITE

1111 W. 35th Street, Chicago, IL 60609 USA
www.tripplite.com/support

Du courant alternatif fiable là où vous en avez besoin

Félicitations ! Vous avez acheté un convertisseur de qualité supérieure conçu pour fonctionner comme source d'énergie mobile alimenté par votre batterie d'automobile. Les convertisseurs PowerVerter transforme le courant 12 v CC (batterie) en courant 120 v CA (domestique) vous permettant de vous servir d'appareils couramment utilisés à la maison - ordinateurs, appareils ménagers et électroniques, outils électriques et autres - lorsque vous voyagez en voiture ou que vous travaillez dans les lieux éloignés qui manquent de courant CA. Les convertisseurs PowerVerter comprennent des caractéristiques perfectionnées qui protègent votre équipement, prolongent la durée de service de votre batterie et garantissent que vous aurez toujours assez de puissance de batterie pour démarrer votre véhicule :

- Protection automatique contre les surcharges
- Protection automatique en cas de batterie faible
- Conversion CC-CA haute -performance
- Puissance de sortie " commandée par fréquence "
- Fonctionnement simple, sans entretien
- Construction résistant à l'humidité *
- 3 Prises de sortie CA

** Le convertisseur résiste à l'humidité mais n'est pas étanche.*

Table des matières

Importantes consignes de sécurité	15
Identification de caractéristiques	16
Fonctionnement	16
Choix de batterie	17
Montage	17
Branchement des batteries	18
Réparation/Entretien/Dépannage	19
Spécifications	20
Garantie limitée	20
English	1
Español	7



CONSERVER CES DIRECTIVES

Ce manuel contient des directives importantes et des mises en garde que vous devrez respecter durant l'installation, l'utilisation et l'entreposage de tous les onduleurs Tripp Lite.

Mise en garde concernant l'emplacement

- Installer votre onduleur (pour une application mobile ou stationnaire) à un emplacement ou dans un compartiment où l'exposition à la chaleur, à la poussière, à la lumière directe du soleil et à l'humidité est réduite.
- Bien que votre onduleur soit résistant à l'humidité, il n'est pas étanche. Noyer l'unité déclenchera un court-circuit et peut entraîner des blessures corporelles dues à un choc électrique. Ne jamais immerger l'unité et éviter toute zone où pourrait s'accumuler de l'eau stagnante. Le montage doit se faire à l'emplacement le plus sec possible.
- Maintenir un dégagement minimal de 5 cm à l'avant et à l'arrière de l'onduleur pour garantir une bonne circulation d'air. Plus la charge de l'équipement branché est lourde, plus l'unité générera de chaleur. Tout compartiment contenant le convertisseur doit être aéré par une circulation d'air extérieur pour empêcher la surchauffe de celui-ci.
- Ne pas installer l'onduleur près de support magnétique de mémoire, une corruption des données pourrait en résulter.
- Ne pas installer près de matériaux inflammables, de combustible ou de produits chimiques.
- **Ne pas monter l'unité avec son panneau avant ou arrière à l'envers (quelque soit l'angle). Monter de cette façon va entraver sérieusement le refroidissement interne de l'unité, provoquant des dégâts non couverts par la garantie.**

Mises en garde au sujet du connexion de batterie

- Les tension, âge, puissance en ampères/heure et type des batteries de système de batteries multiples doivent être identiques.
- À cause de la possibilité d'accumulation d'hydrogène explosif près des batteries si elles ne sont pas bien ventilées, il ne faut pas installer vos batteries (que ce soit pour une application mobile ou stationnaire) dans un compartiment sans circulation d'air. Idéalement, tout compartiment devrait disposer d'une ventilation d'air extérieur.
- Des étincelles peuvent avoir lieu durant le branchement final de la batterie. Observer toujours la bonne polarité quand vous branchez les batteries.
- Ne pas laisser d'objets en contact avec les deux bornes d'entrée CC. Ne pas établir de court circuit ou de pont entre ces bornes. Cela pourrait entraîner des blessures corporelles sérieuses et des dommages matériels.
- Connecter le convertisseur à la batterie avec un fusible CC (voir Connexion de la batterie) recommandé.

Mises en garde relatives aux connexions de terre

- Afin qu'il fonctionne en toute sécurité, il faut connecter la cosse de mise à la terre du convertisseur directement au châssis du véhicule ou à une prise de terre.

Mises en garde relatives aux connexions de l'équipement

Il est déconseillé d'utiliser cet équipement dans des applications médicales où une panne de cet équipement pourrait normalement provoquer la panne de l'équipement de survie ou altérer notablement sa sécurité ou son efficacité. Ne pas utiliser cet équipement en présence d'un mélange anesthésique inflammable avec de l'air, de l'oxygène ou de l'oxyde nitreux.

- Vous pourriez constater une performance inégale si vous branchez un éliminateur de surtension, un régulateur de tension ou un système UPS à la sortie de l'onduleur.

Mises en garde : Fonctionnement

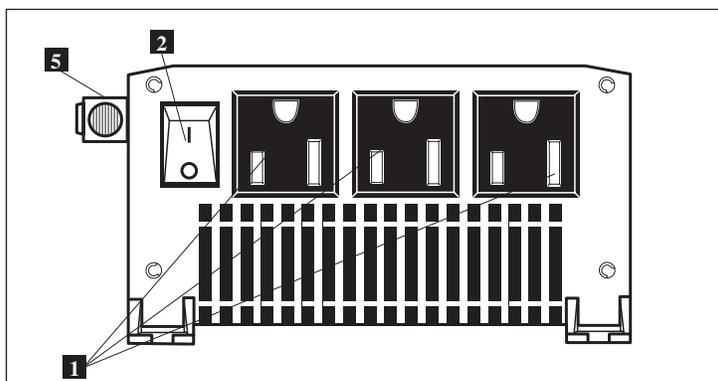
- Votre onduleur ne nécessite pas d'entretien de routine. Ne jamais ouvrir l'appareil quelle qu'en soit la raison. Aucune pièce interne ne peut être réparée par l'utilisateur.
- Des tensions mortelles existent potentiellement dans l'onduleur tant que le bloc d'alimentation par batterie ou l'entrée CA sont branchés. Pendant toute réparation, l'alimentation par batterie et l'entrée CA doivent être débranchées.
- Ne pas brancher ou débrancher les batteries pendant le fonctionnement de l'onduleur qu'il soit en mode de conversion ou de charge. Le commutateur de mode de fonctionnement devra être dans la position OFF (fermé). Il pourrait s'ensuivre une décharge disruptive dangereuse.

Identification de caractéristiques

1 Prises de sortie CA : 3 prises de sortie NEMA 5-15R vous permettent de brancher l'équipement que vous brancheriez normalement dans une prise de courant.

2 Interrupteur lumineux ON/OFF (marche/arrêt) : Quand vous mettez l'interrupteur en position ON, le convertisseur fournit du courant alternatif en transformant le courant continu de la batterie connectée. Mettre l'interrupteur en position OFF pour arrêter le convertisseur et conserver la charge de la batterie lorsque l'équipement connecté n'est pas utilisé. Mettre également l'interrupteur en position OFF pour réenclencher le convertisseur s'il s'est arrêté pour cause de batterie faible, de surcharge ou de surchauffe. Voir la section Fonctionnement pour plus de renseignements.

3 Ventilateur de refroidissement : Ce ventilateur permet d'ajuster la température interne du convertisseur et prolonge sa durée de vie.

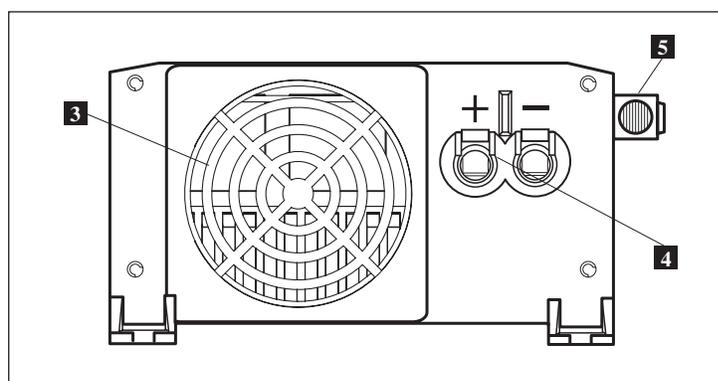


4 Bornes CC : Ces bornes positives et négatives se connectent à la batterie à l'aide de câbles fournis par l'utilisateur. Voir la section *Connexion de la batterie* pour des instructions.

5 Cosse principale de mise à la terre : Connecter cette cosse à une prise de terre ou à la mise à la masse d'un véhicule ou d'un bateau afin de bien connecter le convertisseur à la terre. Voir la section *Connexion de la batterie* pour des instructions.

Alarme de batterie faible (non montrée) : Un circuit interne détecte automatiquement une tension faible de la batterie de votre véhicule et arrête le convertisseur pour la protéger. Mettre l'interrupteur ON/OFF en position OFF si l'alarme retentit. Voir la section Fonctionnement pour plus de renseignements.

Alarme de surcharge (non montrée) : Un circuit interne détecte automatiquement des conditions de surcharge et arrête le convertisseur par mesure de protection. Mettre l'interrupteur ON/OFF en position OFF si l'alarme retentit. Voir la section *Fonctionnement* pour plus de renseignements.



Fonctionnement

Modes de fonctionnement

Après avoir installé et connecté votre convertisseur selon les instructions de ce manuel, utiliser l'interrupteur ON/OFF lumineux pour choisir son mode de fonctionnement.

ON (marche) : Quand vous mettez l'interrupteur en position ON, le convertisseur fournit du courant alternatif en transformant le courant continu de la batterie connectée de votre véhicule.

OFF (arrêt) : Mettre l'interrupteur en position OFF pour arrêter complètement le convertisseur, l'empêchant ainsi de vider la batterie de votre véhicule. Mettre également l'interrupteur en position OFF pour réenclencher le convertisseur s'il s'est arrêté pour cause de batterie faible, de surcharge ou de surchauffe.

Remarque : Après avoir mis l'appareil HORS tension, attendez au moins 10 secondes avant de le remettre SOUS tension. L'appareil ne fonctionnera pas sans cette période d'attente.

Réenclencher le convertisseur

Le convertisseur peut s'arrêter et cesser de fournir du courant CA dans certaines conditions afin de se protéger ainsi que la batterie et l'équipement connecté. Suivre ces consignes pour restaurer un fonctionnement normal :

- **Réenclenchement de l'alarme de batterie faible :** Si le convertisseur s'est arrêté à cause d'une batterie faible, (1) mettre l'interrupteur ON/OFF en position OFF, (2) laisser le convertisseur refroidir, (3) démarrer le moteur du véhicule pour recharger la batterie, (4) laisser la batterie se recharger complètement et (5) mettre l'interrupteur ON/OFF en position ON.
- **Réenclenchement de l'alarme de surcharge :** Si le convertisseur s'est arrêté à cause d'une surcharge, (1) mettre l'interrupteur ON/OFF en position OFF, (2) laisser le convertisseur refroidir, (3) retirer l'équipement qui a causé la surcharge, (4) confirmer que l'équipement alors connecté ne dépasse pas la puissance nominale du convertisseur et (5) mettre l'interrupteur ON/OFF en position ON.

Choix de batterie

Correspondance de la puissance en Ah de la batterie pour votre application

Choisir une batterie ou un système de batteries qui fournira à votre onduleur une tension CC appropriée et une puissance en Ah suffisante pour alimenter votre application. Même si les onduleurs sont hautement efficaces pour la conversion du CC au CA, leur puissance nominale de sortie est limitée par la puissance totale en Ah des batteries branchées et la sortie de l'alternateur si vous en utilisez un.

• ÉTAPE 1) Établissement de la puissance totale requise

Additionner les puissances nominales de tout l'équipement branché à votre onduleur. Les puissances nominales sont généralement indiquées dans les manuels d'équipement ou sur les plaques signalétiques. Si votre équipement est indiqué en ampères, multiplier le nombre d'ampères par la tension du courant CA pour calculer la puissance en watts. (Exemple : Une perceuse a besoin de 2,5 A. $2,5 \text{ A} \times 120 \text{ volts} = 300 \text{ watts}$.)

REMARQUE : Votre onduleur fonctionnera plus efficacement entre 75 % et 80 % de la puissance indiquée sur la plaque signalétique.

• ÉTAPE 2) Établissement de l'intensité requise en CC de la batterie

Diviser la puissance totale requise le wattage total requis (d'après l'étape 1, ci-dessus) par la tension de la batterie pour déterminer l'intensité requise en CC et multiplier par 1,2 pour tenir compte des pertes de conversion.

• ÉTAPE 3) Estimation de la puissance requise en Ah de la batterie

Multiplier l'intensité requise en CC (d'après l'étape 2, ci-dessus) par le nombre estimé d'heures de fonctionnement de votre équipement alimenté exclusivement par batterie avant que vous ne deviez recharger vos batteries. Cela vous donnera une estimation grossière de la puissance de batterie en Ah (d'une ou de plusieurs batteries) que vous devrez brancher à votre onduleur.

REMARQUE : La puissance nominale en Ah des batteries est habituellement donnée pour un régime de décharge de 20 h. Les puissances réelles en Ah sont moindres quand les batteries se déchargent à un régime plus rapide. Par exemple, des batteries déchargées en 55 minutes fournissent seulement 50 % de leur puissance nominale en Ah, tandis que les batteries déchargées en 9 minutes ne fournissent que 30 % de leur puissance nominale en Ah.

Exemple

Outils

Perceuse	Ponceuse orbitale	Chargeur d'outil sans fil		
				
300W	+	220W	+	20W
				=
				540W

Appareils

Mélangeur	TV couleur	Ordinateur portable		
				
300W	+	140W	+	100W
				=
				540W

$$1,2 \times 540 \text{ watts} \div 12 \text{ V} = \mathbf{54 \text{ A CC}}$$

$$54 \text{ A CC} \times 5 \text{ h. (durée)} \\ = \mathbf{270 \text{ Ah}}$$

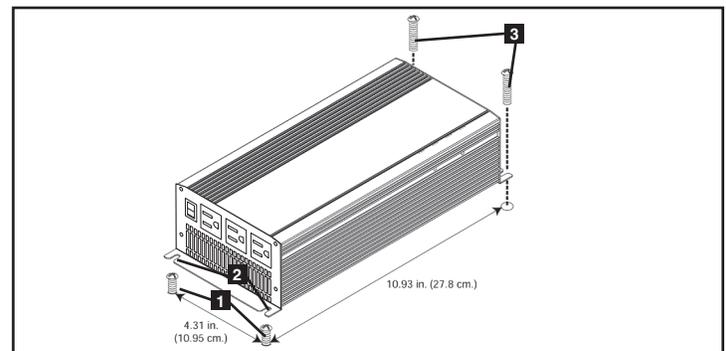
Montage



MISE EN GARDE ! Monter votre onduleur AVANT de brancher la batterie CC. Omettre de suivre ces directives pourrait entraîner des blessures corporelles et/ou des dommages à l'onduleur et aux systèmes branchés.

Tripp Lite vous recommande de fixer votre convertisseur de façon permanente dans la configuration illustrée ci-dessous. Le convertisseur dispose de supports de fixation intégrés à l'avant et à l'arrière de l'appareil. L'utilisateur doit fournir la quincaillerie de fixation et doit décider lui-même si la quincaillerie et la surface de fixation peuvent supporter le poids de l'appareil.

À l'aide des mesures indiquées dans le schéma, poser deux attaches **1**, fournies par l'utilisateur, en laissant les têtes dépasser légèrement. Faire glisser l'appareil sur les attaches pour engager les fentes des supports de fixation **2**. Serrer les attaches. Poser deux autres attaches **3** au support de fixation restant.



Branchement des batteries

Branchement de votre onduleur à vos batteries selon les procédures suivantes :

• **Branchement du câblage CC :** Puisque votre onduleur est un convertisseur hautement efficace d'électricité, sa puissance nominale de sortie est limitée par la longueur et le calibre des connecteurs CC du câblage reliant la batterie à l'unité. Utilisez le câblage le plus court et du plus gros diamètre (maximum calibre 4 AWG ou 5 mm) pour fixer aux bornes d'entrée CC de votre onduleur. Un câblage plus court et de plus gros calibre réduit la baisse de tension CC et permet un transfert maximal de courant. Votre onduleur est capable de délivrer une puissance de pointe jusqu'à 200 % de sa puissance nominale de sortie continu pour de brèves périodes. Il faut utiliser un calibre plus gros quand un équipement qui

consomme beaucoup fonctionne continuellement dans ces conditions. Serrer vos bornes d'onduleur et de batterie à environ 3,5 Newton/mètre de couple pour créer une connexion efficace et empêcher un réchauffement excessif à cette connexion. Un serrage insuffisant des bornes peut annuler votre garantie. **Voir la Spécifications pour le tableau des calibres minimaux de câble recommandés.**

• **Branchement de mise à la terre :** À l'aide d'un fil de calibre (12-18 AWG ou 1-2 mm), connecter la cosse principale de mise à la terre au châssis du véhicule ou à la terre. Voir la section Identification des caractéristiques pour localiser la cosse

principale de mise à la terre. Toutes les installations doivent être conformes aux codes et règlements locaux.

• **Connexion de fusible :** Tripp Lite recommande que vous connectiez la borne CC positive de votre onduleur directement à des fusibles et des blocs de fusibles à moins de 450 mm (18 po) de la batterie. Le calibre nominal du fusible doit être égal ou supérieur au calibre minimal de fusible CC inscrit dans les spécifications. Voir les spécifications pour les recommandations de fusible et de bloc-fusible. Voir les schémas ci-dessous pour l'emplacement correct des fusibles.



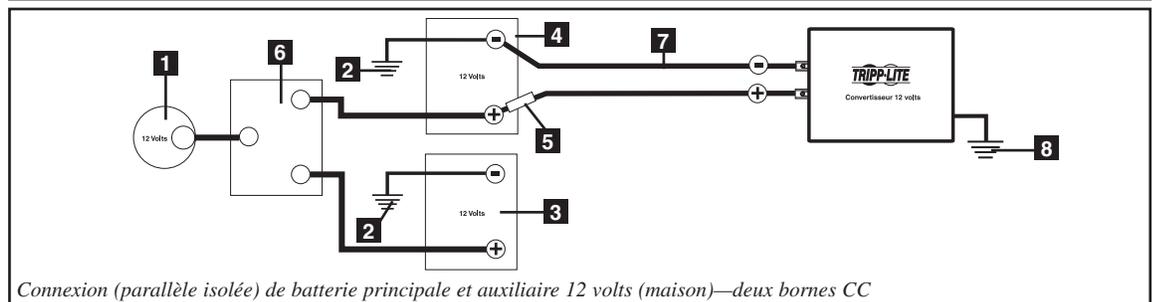
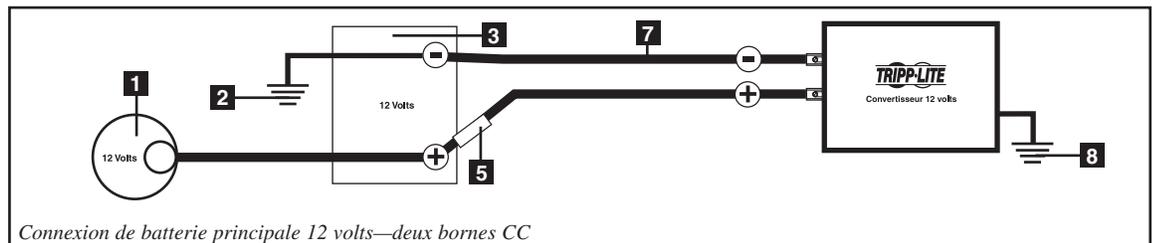
MISE EN GARDE !

- Ne pas mettre à la terre votre onduleur au châssis du véhicule ou au sol peut entraîner un risque de choc électrique mortel.
- Ne jamais essayer de faire fonctionner votre onduleur en le connectant directement à la sortie d'un alternateur plutôt qu'à une batterie ou un groupe de batterie.
- Observer la bonne polarité avec toutes les connexions CC.

Applications véhiculaires

La tension nominale d'entrée CC de votre convertisseur doit correspondre à celle de vos batteries—12 V dans la plupart des applications véhiculaires. Vous pouvez connecter votre convertisseur à la batterie principal à l'intérieur du système électrique de votre véhicule. Dans de nombreux contextes véhiculaires, le convertisseur sera connecté à une ou plusieurs batteries dédiées auxiliaires (maison) qui sont isolées du système d'entraînement pour empêcher que la batterie principale se vide.

- 1 Alternateur 12 volts
- 2 Mise à la masse de la batterie du véhicule
- 3 Batterie principale 12 volts
- 4 Batterie auxiliaire 12 volts (Maison)
- 5 Fusibles ou boîte à fusibles homologués UL- ou CE (Installé à moins de 45 cm [18 po] de la batterie)
- 6 Isolateur de batterie
- 7 Câblage de gros calibre (Maximum 4 AWG ou 5 mm pour s'adapter aux bornes)
- 8 12-18 AWG ou 1-2 mm Fil de mise à la terre au châssis du véhicule ou à une prise de terre



Entretien

Votre produit Tripp Lite est couvert par la garantie décrite dans ce manuel. Une variété de garantie prolongées et de programmes de service sur place sont également disponibles chez Tripp Lite. Pour plus de renseignements sur le service, visitez www.tripplite.com/support. Avant de retourner votre produit pour entretien ou réparation, suivez les étapes suivantes :

1. Relisez les directives d'installation et de fonctionnement de ce manuel afin de vous assurer que le problème n'a pas pour origine une mauvaise lecture des directives.
2. Si le problème persiste, ne pas communiquer ou renvoyer le produit au vendeur. À la place, visitez www.tripplite.com/support.
3. Si le problème nécessite une réparation, visitez www.tripplite.com/support et cliquez sur le lien Product Returns (retour du produit). De cet endroit, vous pouvez demander un numéro d'autorisation de retour de matériel (RMA) qui est exigé pour une réparation. Ce formulaire en ligne simple vous demandera le numéro de modèle et le numéro de série de votre unité ainsi que d'autres renseignements généraux concernant l'acheteur. Le numéro RMA, ainsi que les instructions concernant le transport vous seront acheminées par courriel. Tout dommage (direct, indirect, spécial ou fortuit) survenu au produit pendant le transport à Tripp Lite ou à un centre de service autorisé Tripp Lite est exclu de la garanti. Les produits expédiés à Tripp Lite ou à un centre de service autorisé doivent être prépayés. Inscrire le numéro RMA sur le paquet. Si le produit est encore couvert par la garantie de deux ans, joindre une copie de votre facture d'achat. Retourner le produit pour réparation par un transporteur assuré à l'adresse qui vous a été donnée lorsque vous avez demandé le RMA.

Réparation

Votre onduleur ne requiert aucun entretien et ne contient aucune pièce réparable ou remplaçable par l'utilisateur, mais il doit être maintenu au sec en tout temps. Vérifier périodiquement, nettoyer et resserrer toutes les connexions de câble, si nécessaire, à la fois de l'unité et de la batterie.

Dépannage

Prière de contrôler les éléments suivants avant de renvoyer l'onduleur pour le faire réparer :

Symptôme	Problème	Solution
L'alarme retentit.	Tension basse de la batterie (<10,5 V).	Mettre l'onduleur hors tension et faire marcher le moteur pour recharger la batterie.
	Surcharge de sortie.	Mettre l'onduleur hors tension et réduire la charge en débranchant les appareils absorbant beaucoup de puissance. La charge ne doit pas dépasser la puissance maximale continue de l'onduleur (voir les spécifications).
L'onduleur ne se met pas en marche bien que le contact soit sur marche.	Arrêt automatique de l'onduleur, tension basse de la batterie (<10 V).	Mettre l'onduleur hors tension et faire marcher le moteur pour recharger la batterie.
	Arrêt automatique de l'onduleur suite à une surcharge de sortie	Mettre l'onduleur hors tension et réduire la charge en débranchant les appareils absorbant beaucoup de puissance. La charge ne doit pas dépasser la puissance maximale continue de l'onduleur (voir les spécifications).
	Fusible sauté.	Remplacer les fusibles par des fusibles standard pour véhicule d'un ampérage équivalent (voir les spécifications).
L'onduleur n'alimente pas l'équipement branché.	La batterie est faible. Une batterie faible réduit la puissance de sortie de l'onduleur.	Mettre l'onduleur hors tension et faire marcher le moteur pour recharger la batterie.
	La charge de l'équipement branché dépasse la puissance maximale continue de l'onduleur.	Mettre l'onduleur hors tension et réduire la charge en débranchant les appareils absorbant beaucoup de puissance. La charge ne doit pas dépasser la puissance maximale continue de l'onduleur (voir les spécifications).
L'équipement branché subit des distorsions du signal audio/vidéo.	Connexions desserrées.	Vérifier et resserrer les connexions.
	Interférence audio/vidéo.	Repositionner les antennes d'équipement et l'onduleur.

Spécifications

Modèle :	PV700HF
Puissance de sortie (puissance maximale continue)* :	700
Puissance de sortie (puissance maximale)** :	1400
Tension d'entrée (c.c.) :	12 V nominale (10 à 15 V)
Tension de sortie (c.a.)/Fréquence :	120 V / 60 Hz. nominale
Onde de sortie :	Onde sinusoïdale (modulation d'impulsions en durée)
Alarme de tension basse de la batterie (V) :	10,5 V
Arrêt de tension basse de la batterie (V) :	10 V
Prises c.a. :	3 (NEMA 5-15R)
Protection de circuit (Calibre minimal du fusible CC) :	Fusible 125 A (externe)
Calibre minimal du câble de la batterie :	6 AWG (4 mm)
Calibre maximal du câble de la batterie :	4 AWG (5 mm)
Calibre du câble de mise à la terre :	12-18 AWG (1-2 mm)
Matériau du boîtier :	Aluminium extrudé

* La puissance de sortie maximale (continue ou maximale) n'est disponible que lorsque la batterie du véhicule est correctement chargée. Faire marcher le moteur du véhicule pour maintenir une charge appropriée. ** Puissance de sortie maximale instantanée.

Temps d'exploitation type avant le rechargement la batterie

Bien que l'onduleur puisse fonctionner avec le moteur du véhicule à l'arrêt, de meilleurs résultats sont obtenus avec le moteur en marche. Dans la mesure où l'onduleur convertit l'énergie électrique (mais ne la produit pas), sa performance dépend de l'état du circuit électrique du véhicule (batterie, alternateur et câblage). Si d'autres charges (climatisation, chauffage, éclairage, etc.) consomment simultanément de la puissance et la durée d'exploitation peut être réduite.

Modèle : PV700HF	Avec batterie, alternateur et câblage de véhicule compact type (4 cyl)	Avec batterie, alternateur et câblage de véhicule de taille intermédiaire type (6 cyl)	Avec batterie, alternateur et câblage de gros véhicule type (8 cyl)
1/2 charge (moteur en marche)	continu	continu	continu
Pleine charge* (moteur en marche)	1-2 heures	2-4 heures	continu
1/2 charge (moteur à l'arrêt)	non recommandé	1 heure	2 heures
Pleine charge* (moteur à l'arrêt)	non recommandé	non recommandé	1 heure

NOTE : Vous pouvez maximiser la puissance de sortie en suivant une ou plus de ces étapes: (1) connecter plusieurs batteries au convertisseur; (2) garder les batteries à pleine charge en faisant souvent tourner le moteur du véhicule; (3) installer le convertisseur aussi près que possible des batteries; (4) connecter le câble du plus gros calibre possible aux bornes CC du convertisseur; (5) utiliser le convertisseur dans un véhicule équipé d'un alternateur haute capacité; (6) faire tourner le moteur du véhicule à un régime plus élevé.

Recommandations pour le câblage de la batterie

Pour une efficacité maximale, tenir les câbles de batterie aussi courts que possible. Pour des câbles très courts, un calibre de 6 AWG (4 mm) peut être adéquat; pour des câbles plus longs, un calibre de 4 AWG (5 mm) est recommandé. La puissance de sortie est directement dépendante de la longueur des câbles : Plus court est le câblage, meilleur est la performance.

Garantie limitée

Tripp Lite garantit que cet onduleur est exempt de défauts matériels et de fabrication pendant une (1) année à compter de la date d'achat initiale. En vertu de la présente garantie, la responsabilité de Tripp Lite est limitée à réparer ou à remplacer (la décision nous appartenant) tout produit défectueux. Pour faire réparer le produit sous garantie, obtenir un numéro d'autorisation de retour d'article (RMA) auprès de Tripp Lite ou d'un centre de service agréé Tripp Lite. Les produits doivent être renvoyés à Tripp Lite ou à un centre de service agréé Tripp Lite avec frais d'expédition oréglés et doivent être accompagnés d'une description succincte du problème et de la preuve de la date et du lieu d'achat.

Cette garantie ne couvre pas les produits qui auraient été endommagés par accident, négligence ou mauvaise application ou qui auraient été altérés ou modifiés d'une façon quelconque, y compris l'ouverture du boîtier de l'onduleur. Cette garantie ne couvre que l'acheteur initial qui doit avoir enregistré le produit dans les dix (10) jours de l'achat.

SAUF CONTRE INDICATION STIPULÉE DANS LA PRÉSENTE, TRIPP LITE N'OFFRE AUCUNE AUTRE GARANTIE, QU'ELLE SOIT EXPRESSE OU IMPLICITE, Y COMPRIS LES GARANTIES DE QUALITÉ MARCHANDE OU D'ADAPTATION À UNE APPLICATION PARTICULIÈRE. Certaines provinces ou états ne reconnaissent ni l'exclusion ni la limite des garanties implicites ; les limites ou les exclusions susmentionnées peuvent ne pas concerner l'acheteur.

SAUF SI INDIQUÉS CI-DESSUS, TRIPP LITE NE PEUT EN AUCUN CAS ÊTRE TENU RESPONSABLE DES DOMMAGES DIRECTS, INDIRECTS, SPÉCIAUX, INDIRECTS OU ACCESSOIRES QUI DÉCOULERAIENT DE L'UTILISATION DE CE PRODUIT, ET CELA MÊME SI L'UTILISATEUR A ÉTÉ AVERTI DE L'ÉVENTUALITÉ DESDITS DOMMAGES. Plus particulièrement, Tripp Lite ne peut être tenu responsable des frais, tels que les pertes de bénéfices ou de revenus, la perte de l'utilisation de l'équipement, de logiciel, de données, des frais engagés pour des solutions alternatives, des réclamations de parties tierces ou autres.

Numéros d'identification de conformité aux règlements

À des fins de certification et d'identification de conformité aux règlements, votre produit Tripp Lite a reçu un numéro de série unique. Ce numéro se retrouve sur la plaque signalétique du produit, avec les inscriptions et informations d'approbation requises. Lors d'une demande d'information de conformité pour ce produit, utilisez toujours le numéro de série. Il ne doit pas être confondu avec le nom de la marque ou le numéro de modèle du produit.

La politique de Tripp Lite est celle d'une amélioration continue. Les spécifications peuvent être modifiées sans préavis.



1111 W. 35th Street, Chicago, IL 60609 USA
www.tripplite.com/support