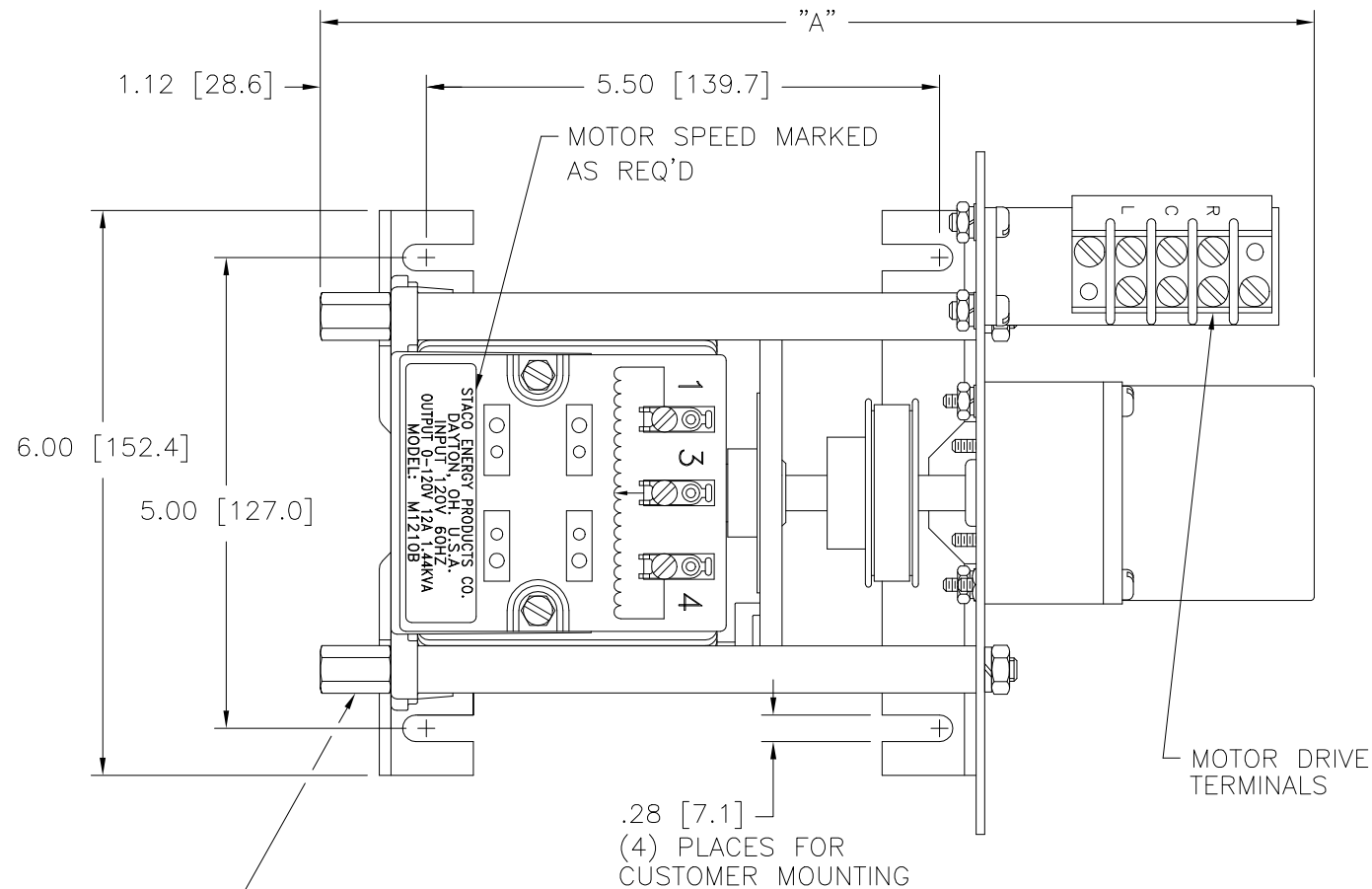
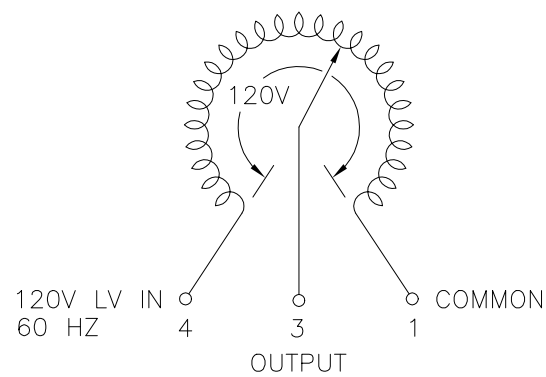


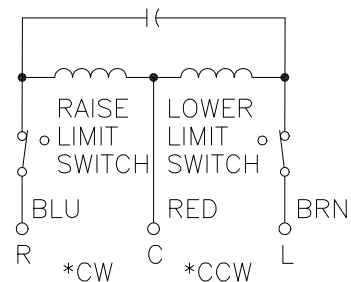
OPTIONAL TERMINALS FOR PUSH ON OR SOLDER CONNECTIONS (.032 X .250) [0.8 X 6.4]



(4) STANDOFFS TAPPED 1/4-28 X .38 [9.5] DEEP FOR MOUNTING BOLTS



SCHEMATIC VIEW FROM BASE END FUSE RECOMMENDED BUT NOT SUPPLIED



MOTOR CIRCUIT 120V, 50/60 HZ \* ROTATION AS VIEWED FROM MOTOR END MOTOR SPEED: SEE CHART

+ MOTOR DRIVEN UNITS USE TERMINAL CONNECTIONS FOR CCW INCREASING VOLTAGE, AS VIEWED FROM BASE END.

SPEED (SECONDS)	MODEL NUMBER	DIM "A"
5	5M1210B	10.56 [268.2]
15	15M1210B	10.56 [268.2]
30	30M1210B	10.95 [278.1]
60	60M1210B	10.95 [278.1]

WIRING	INPUT		OUTPUT				SHAFT ROTATION TO INCREASE VOLTAGE	TERMINAL CONNECTIONS			
	VOLTS	HERTZ	VOLTS	CONSTANT CURRENT LOAD		MAX. AMPS		MAX. KVA	FOR INCREASING VOLTAGE AS VIEWED FROM BASE END +		
				MAX. AMP	MAX. KVA				INPUT	JUMPER	OUTPUT
SINGLE PHASE	120	60	0-120	12	1.44	15	1.80	CW	1-4	4-3	
								CCW	1-4	1-3	

UNLESS OTHERWISE SPECIFIED, TOLERANCE IS # DECIMALS HOLES ANGLES DRAFT XX .005 .002 1° 1-1/2° MATERIAL: ALL DIMENSIONS APPLY AFTER PLATING

TITLE: SPEC. CONTROL DRAWING MOTORIZED VARIABLE XFMR MODEL: M1210B

STACO ENERGY PRODUCTS CO. A COMPONENTS CORPORATION OF AMERICA COMPANY DAYTON, OHIO U.S.A.

DRAWN BY S.A. SMITH	DATE 9/25/97	FIRST USED ON	DO NOT SCALE DWG.	CUSTOMER APPROVAL	DATE
CHECKER	DATE	WEIGHT APPROX. 16.75 LBS	CODE IDENT. NO. 83008	DWG. NO. 031-3060	DWG. NO. 031-3060
ENGINEER	DATE	SCALE 1=1	SHEET 1 OF 1		