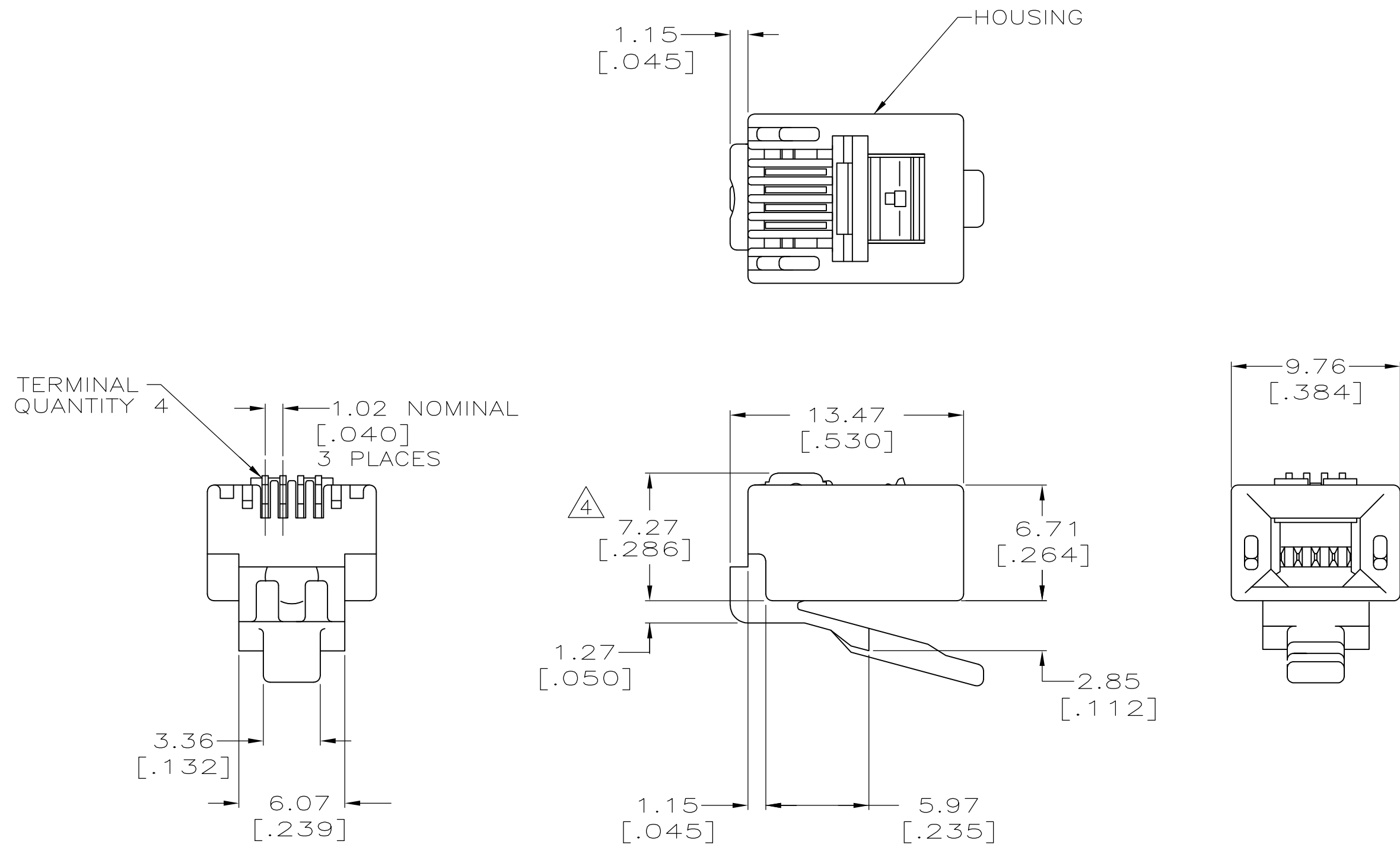


THIS DRAWING IS UNPUBLISHED. RELEASED FOR PUBLICATION
 © COPYRIGHT - By - ALL RIGHTS RESERVED.

LOC	DIST	REVISIONS					
HM	00	P	LTR	DESCRIPTION	DATE	DWN	APVD
		C		REV ECO-12-012703	12JUL12	JB	JB

- ① DIMENSIONS ARE MAXIMUM UNLESS OTHERWISE SPECIFIED.
- ② MATERIAL: HOUSING-POLYCARBONATE,CLEAR. TERMINAL-0.36[.014] THICK PHOSPHOR BRONZE PLATED WITH 1.27μm[.000050] MINIMUM THICK GOLD IN LOCALIZED GOLD PLATE AREA OVER 2.54 μm[.000100] MINIMUM THICK NICKEL UNDERPLATE.
- 3. PLUG WILL ACCEPT 24 OR 26 AWG SOLID WIRE HAVING A MAXIMUM INSULATION DIAMETER OF 0.99[.039] AND A MAXIMUM DIAMETER ROUND CABLE JACKET OF 2.79 [.110].
- ④ TERMINATED DIMENSION 6.15[.242] MAXIMUM.
- ⑥ 100 ASSEMBLIES PER PACKAGE.



⑥	5-569030-3
PACKAGED	PART NO.

THIS DRAWING IS A CONTROLLED DOCUMENT.		DWN	L. HALL	29FEB2008		TE Connectivity							
DIMENSIONS: INCHES		CHK	B. MCNEILL	29FEB2008		NAME							
TOLERANCES UNLESS OTHERWISE SPECIFIED:		APVD	B. MCNEILL	29FEB2008		PRODUCT SPEC							
0 PLC ± - ① 1 PLC ± - ① 2 PLC ± - ① 3 PLC ± - ① 4 PLC ± - ① ANGLES ± - FINISH - ②		APPLICATION SPEC		108-1163		MODULAR PLUG ASSEMBLY, 4 POSITION, ROUND CABLE, SOLID WIRE							
MATERIAL - ②		WEIGHT -		114-6016		SIZE	A2	CAGE CODE	00779	DRAWING NO	C=569030	RESTRICTED TO	-
CUSTOMER DRAWING		SCALE		4:1		SHEET	1 of 1		REV	C			