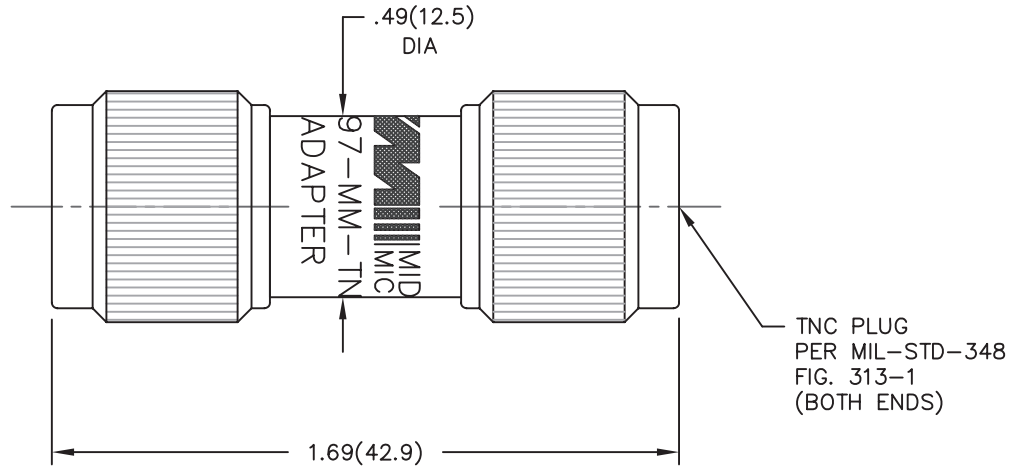


NOTES:


- 1.0 MATERIALS:
 - 1.1 HOUSINGS & COUPLING NUTS: STAINLESS STEEL PER ASTM-A582, TYPE 303.
 - 1.2 CENTER CONTACTS: BERYLLIUM COPPER ROD ALLOY C172, PER ASTM-B196.
 - 1.3 DIELECTRICS: PTFE FLOUROCARBON PER ASTM-D1457.
- 2.0 PLATING:
 - 2.1 HOUSINGS & COUPLING NUTS: PASSIVATED PER MIL-F-14072 AND QQ-P-35.
 - 2.2 CENTER CONTACTS: GOLD PER MIL-G-45204, TYPE II, CLASS 2.
- 3.0 ELECTRICAL SPECIFICATIONS:
 - 3.1 FREQUENCY RANGE: DC to 18.0 GHz
 - 3.2 VSWR (MAX):
 - DC to 4.0 GHz: 1.05:1
 - 4.0 to 8.0 GHz: 1.10:1
 - 8.0 to 18.0 GHz: 1.15:1
 - 3.3 IMPEDANCE: 50 OHMS
- 4.0 MARKING: MARK UNIT AS SHOWN (REF: INK-02669-27-21)
- 5.0 DIMENSIONS IN PARENTHESIS ARE IN MILLIMETERS.



MODEL NUMBER
 ADT-2597-MM-TNC-02

DWG. NO. WAS: 02760-01-00

REV.	DESCRIPTION	DATE
-	RELEASED	2/23/79
A	ECR 6545	6/30/89
B	ECR 10356	4/19/91
C	CAD / ADD SPECS	10/29/93
C1	ADDED TITLEBLOCK	3/10/05

NOTICE: The information contained in this drawing is proprietary and must not be used without the permission of Cinch Connectivity Solutions.		CAGE CODE 34078		MIDWEST MICROWAVE	
UNLESS OTHERWISE NOTED DIMENSIONS ARE IN INCHES AND TOLERANCES ARE: 3 PLACE DECIMALS ±.005 2 PLACE DECIMALS ±.02 FRACTIONS ±1/64 PARALLELITY: T.I.R. _____ FLATNESS: T.I.R. _____ CONCENTRICITY: T.I.R. _____ ANGLES AND PERPENDICULARITY: ±1'				TITLE ADAPTER TNC PLUG TO TNC PLUG OUTLINE DRAWING	
DRAWN/DATE M.HOLLMAN 10/29/93		ENG./DATE A.OSGA 10/29/93		DRAWING NUMBER ADT-2597-MM-TNC-02-01	
CHECKED/DATE A.BEATTY 10/29/93		APPROVED/DATE		REV. C1	
SCALE: 5=1				SHEET 1 of 1	