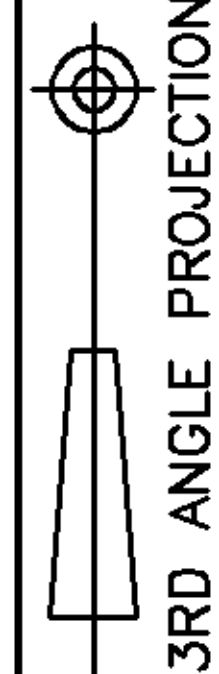
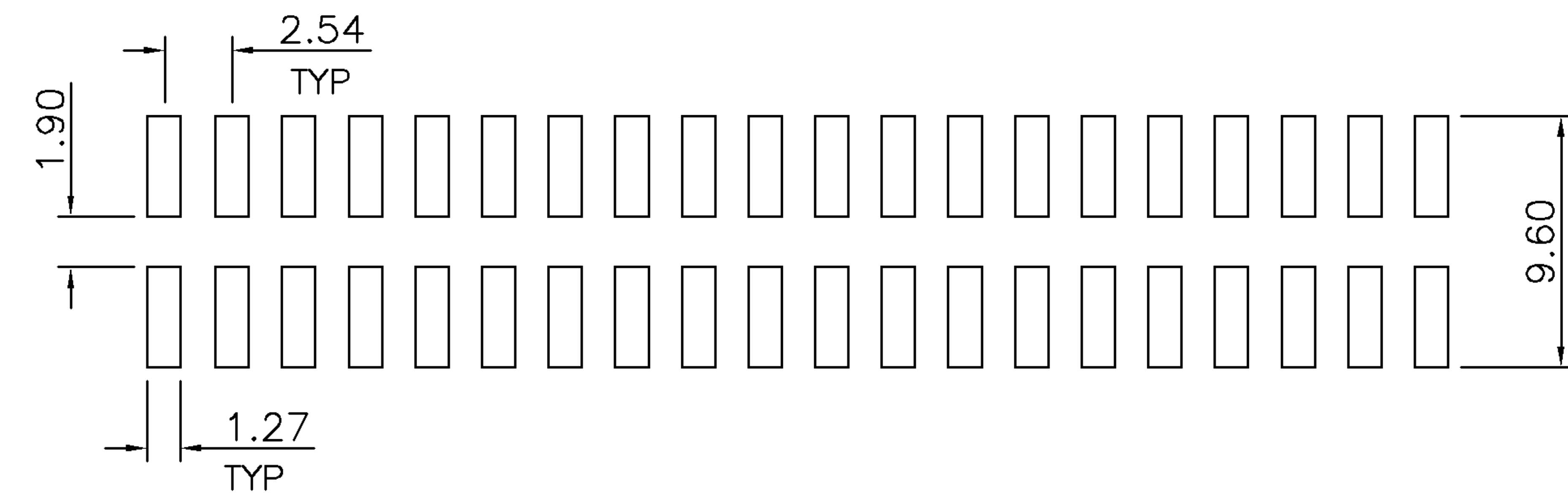
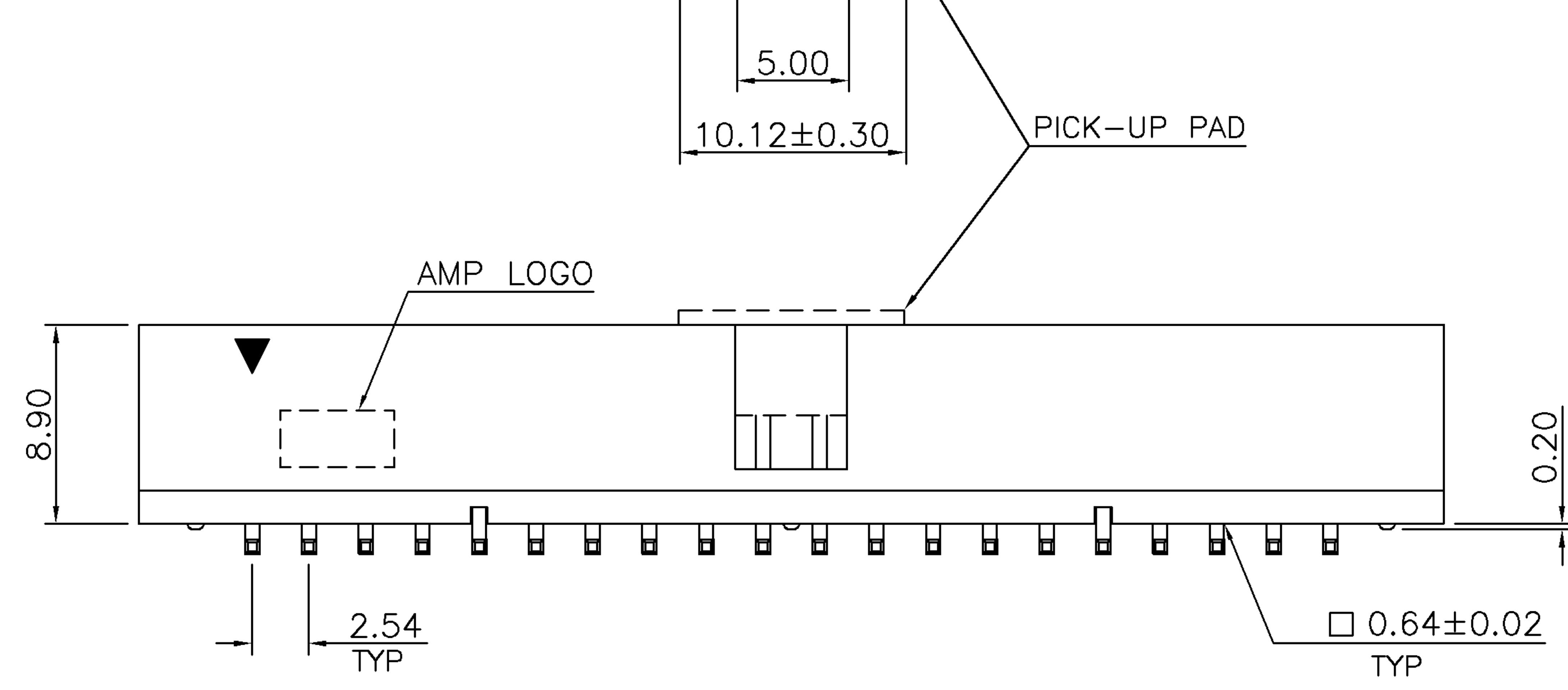
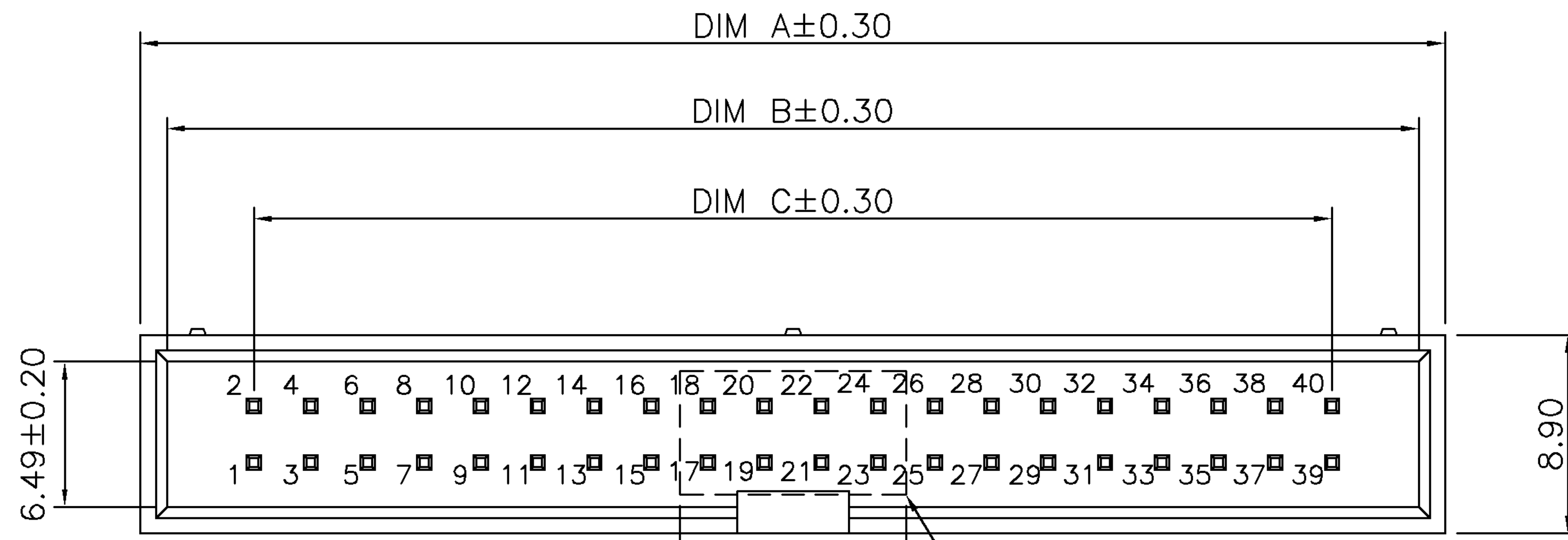


THIS INFORMATION IS CONFIDENTIAL AND IS DISCLOSED TO YOU ON CONDITION THAT NO FURTHER DISCLOSURE IS MADE BY YOU TO OTHER THAN AMP PERSONNEL WITHOUT WRITTEN AUTHORIZATION FROM AMP (TAIWAN) LTD. DIMENSIONS IN MILLIMETERS. DO NOT SCALE PRINT.

NUMBER
C-1734160



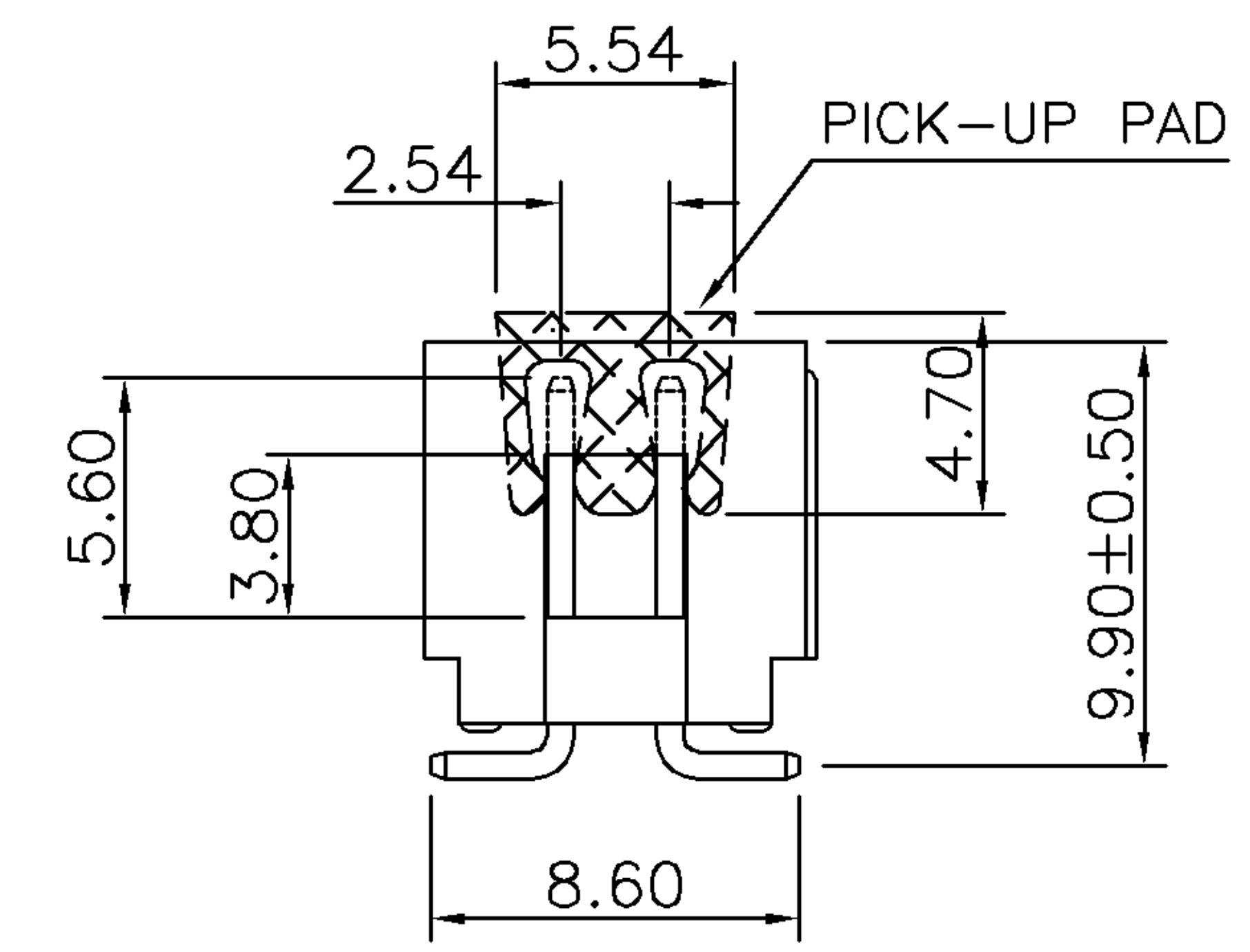
METRIC



RECOMMENDED P.C.B. LAYOUT

NOTES:

- MATERIAL:
HOUSING: THERMOPLASTIC HIGH TEMP., WITH 30% GLASS FIBER FILLED., UL 94V-0. COLOR: SEE TABLE.
CONTACT: BRASS, THICKNESS=0.64mm.
- FINISH :
CONTACT: GOLD FLASH OVER 40μ" MIN. NICKEL UNDERPLATING.
- REFLOW SOLDER CAPABLE TO 260°C PER TYCO SPEC109-201, CONDITION B.



| #20 | 48.26 | 55.88 | 58.42 | BLACK | 40 | 3-1734160-4 |
|-----------|-------|-------|-------|-----------|------|-------------|
| X | 48.26 | 55.88 | 58.42 | BLUE | 40 | 1-1734160-5 |
| | 48.26 | 55.88 | 58.42 | BLACK | 40 | 1-1734160-4 |
| | 48.26 | 48.26 | 50.80 | BLACK | 34 | 1-1734160-3 |
| LACK PIN# | DIM C | DIM B | DIM A | HSG COLOR | POS. | PART NUMBER |

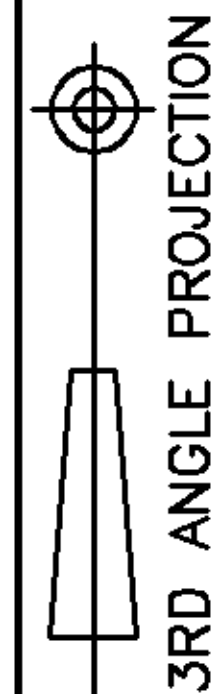
| | | | | | | |
|--|--|----------|-------------|--|-------------|--|
| TOLERANCES UNLESS OTHERWISE SPECIFIED: | | DWN | O. HU | TYCO HOLDINGS (BERMUDA) VII LTD. TAIWAN BRANCH NAME | | |
| 0 PLC ± | | | 01-JUL-2005 | | | |
| 1 PLC ± | | CHK | S. HOU | BOX HEADER 2R SMT, 2.54 PITCH, VERTICAL TYPE | | |
| 2 PLC ±0.3 | | | 01-JUL-2005 | | | |
| 3 PLC ± | | MATERIAL | | APVD | W.J. KE | LOC SIZE DRAWING NO REV DW A ₃ C-1734160 O |
| ANGLES ± | | SEE NOTE | | PRODUCT SPEC | 01-JUL-2005 | |
| | | FINISH | | QUALIFICATION TEST REPORT | 501-57052 | SCALE SHEET -- 1 OF 2 |
| | | SEE NOTE | | WEIGHT | | |

| | | | |
|-----|-----------------|-----|-------|
| o | FIRST RELEASED | OH | 08JUL |
| LTR | REVISION RECORD | DWN | 2005 |
| | ECN | CHK | DATE |

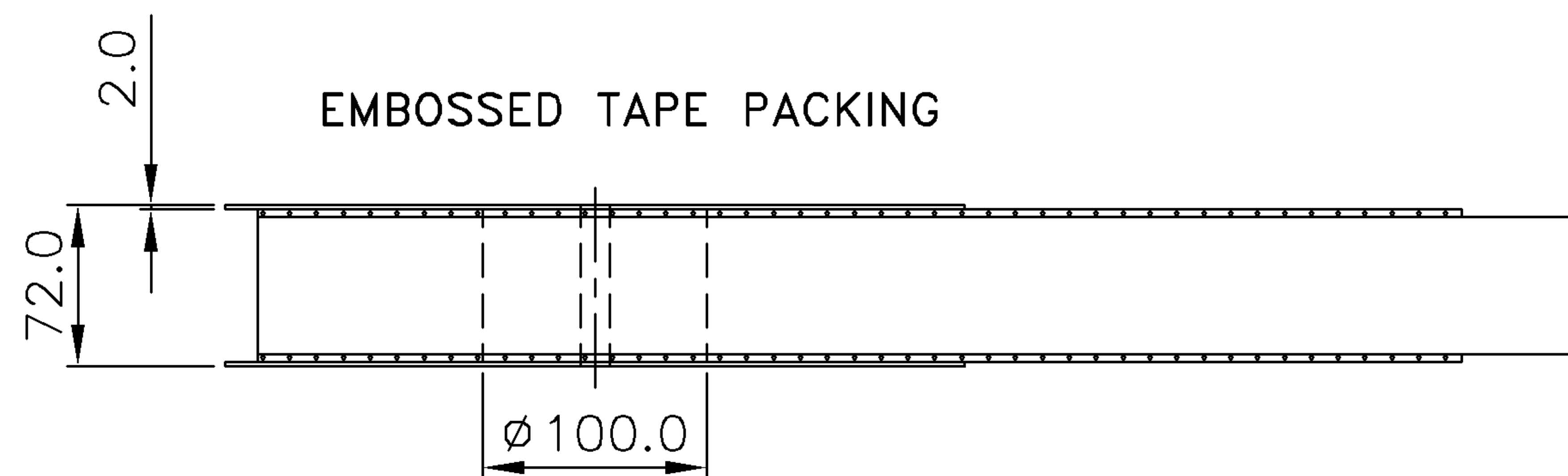
THIS INFORMATION IS CONFIDENTIAL AND IS DISCLOSED TO YOU ON CONDITION THAT NO FURTHER DISCLOSURE IS MADE BY YOU TO OTHER THAN AMP PERSONNEL WITHOUT WRITTEN AUTHORIZATION FROM AMP (TAIWAN) LTD. DIMENSIONS IN MILLIMETERS. DO NOT SCALE PRINT.

PRINT DIST
DW

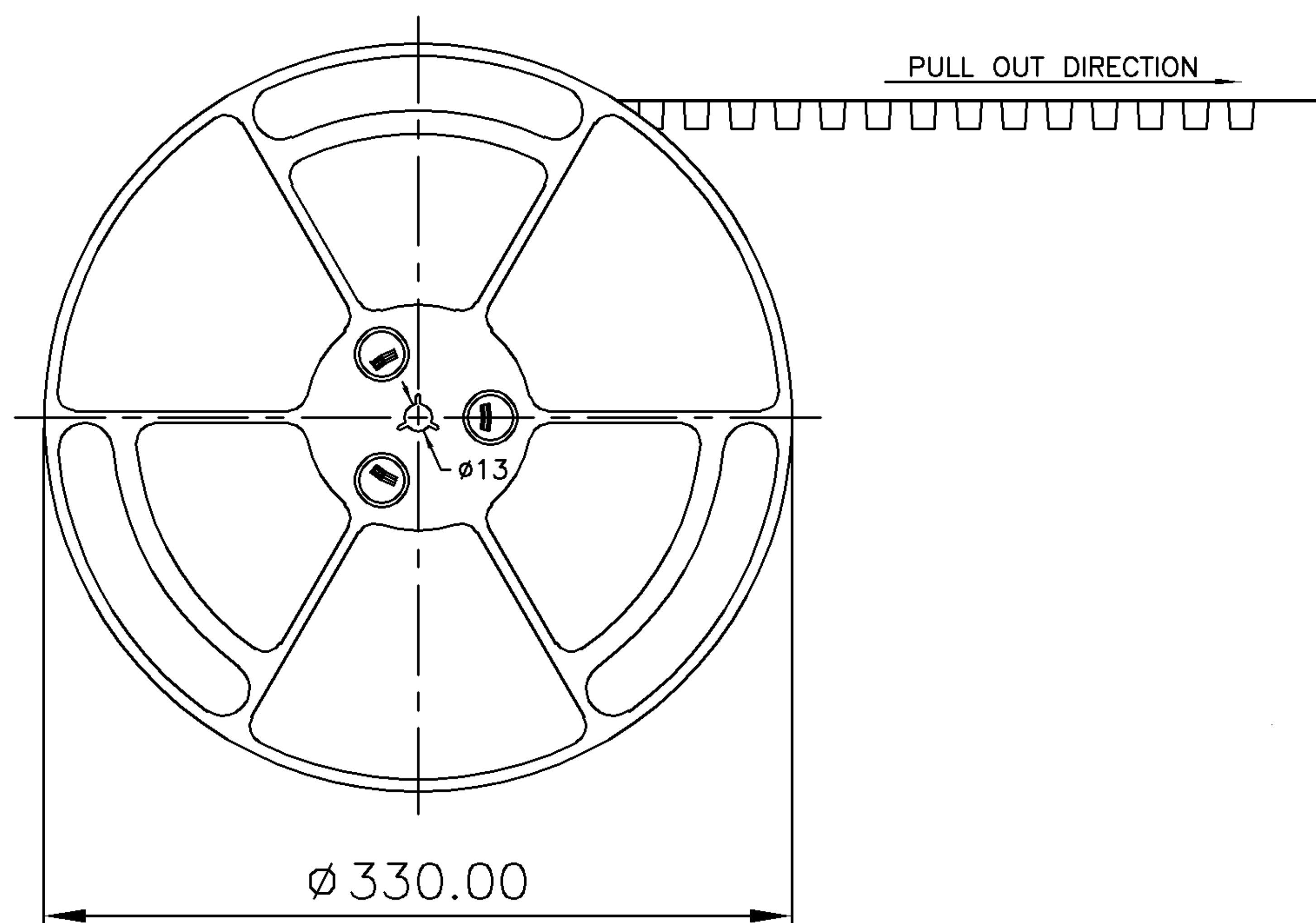
METRIC



NUMBER
C-1734160

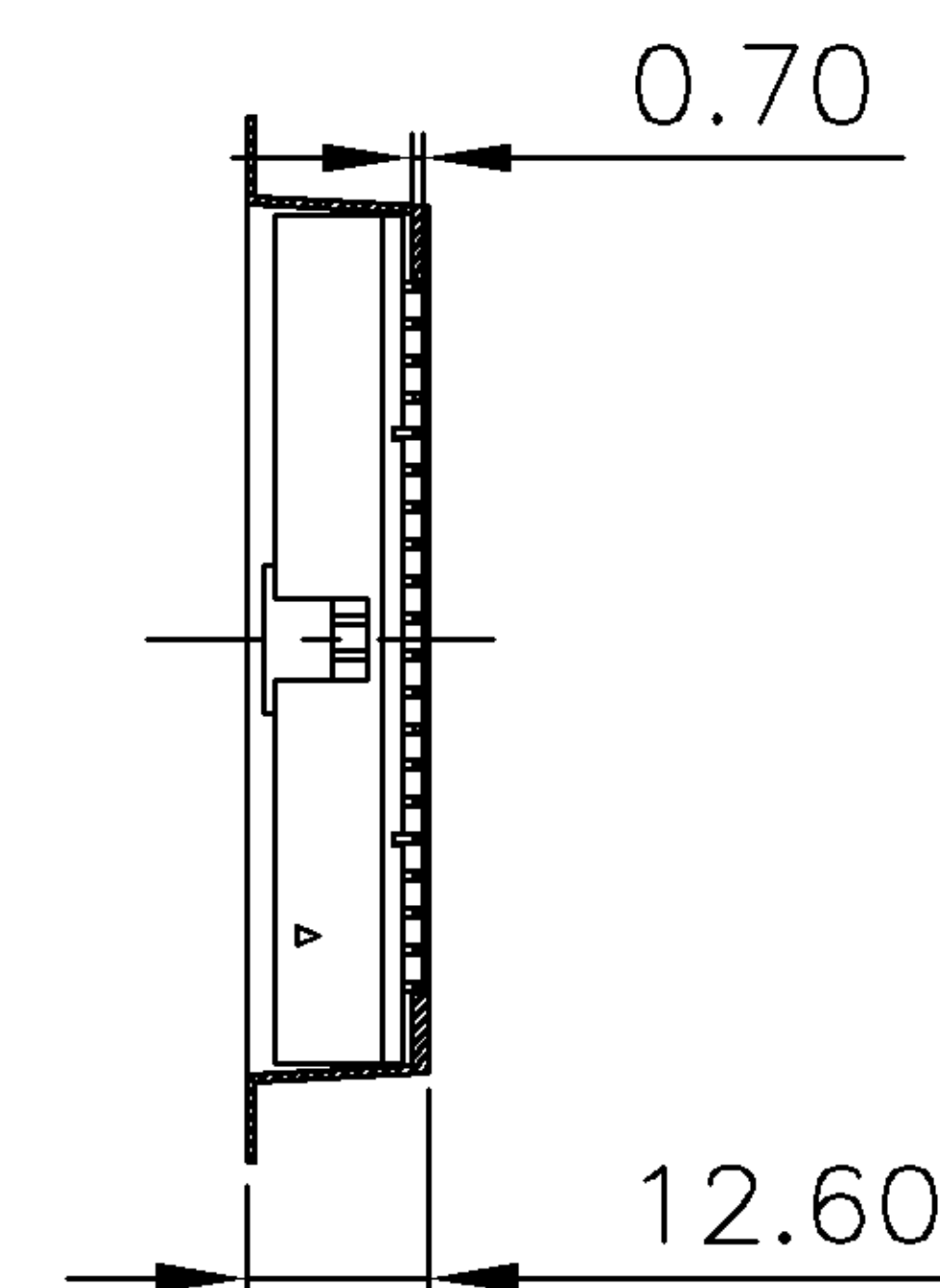
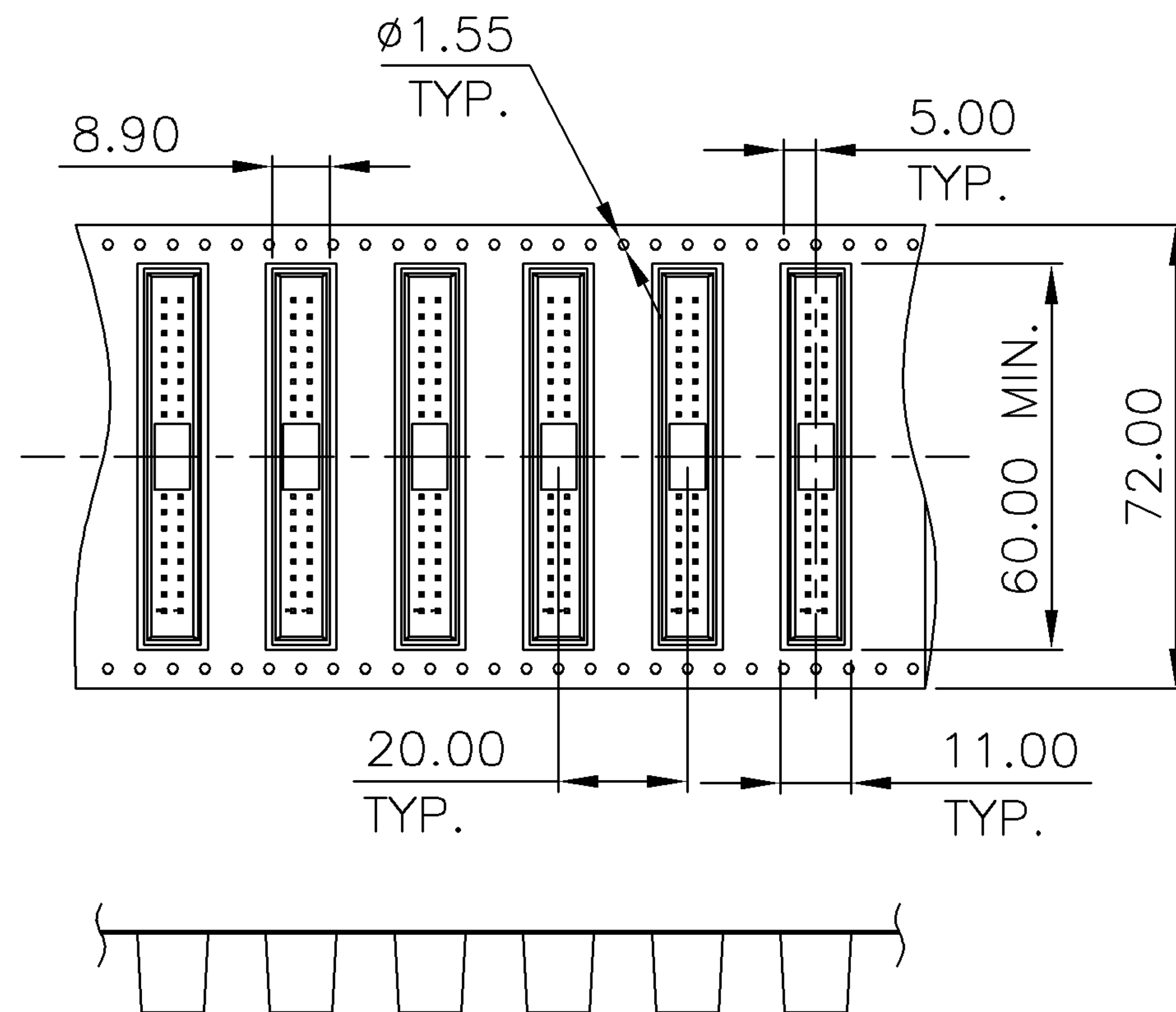


EMBOSSSED TAPE PACKING



NOTE:

1. 10 SPROCKET HOLE PITCH CUMULATIVE TOLERANCE: 0.2mm.
2. CARRIER CAMBER IS WITHIN 1.0mm IN 100mm.
3. MATERIAL: BLACK CONDUCTIVE POLYSTYRENE ALLOY 100% RECYCLABLE.
4. THICKNESS: 0.3±0.05mm.
5. TOTAL: 250 PCS.



| | | | | |
|--|----------|---------------------------|-------------|--|
| TOLERANCES UNLESS OTHERWISE SPECIFIED: | | DWN | O. HU | tyco TYCO HOLDINGS (BERMUDA) Electronics VII LTD. TAIWAN BRANCH |
| 0 PLC | ± | | 01-JUL-2005 | |
| 1 PLC | ± | CHK | S. HOU | NAME |
| 2 PLC | ± | | 01-JUL-2005 | |
| 3 PLC | ± | | | BOX HEADER 2R SMT, 2.54 PITCH, VERTICAL TYPE |
| ANGLES | ± | | | |
| MATERIAL | SEE NOTE | APVD | W.J. KE | LOC SIZE DRAWING NO REV DW A ₃ C-1734160 O |
| | | | 01-JUL-2005 | |
| FINISH | SEE NOTE | QUALIFICATION TEST REPORT | - | SCALE SHEET -- 2 OF 2 |
| | | WEIGHT | - | |

| | | | | | |
|-----|-----------------|-----|-----|-----|------|
| LTR | SEE SHEET 1. | ECN | DWN | CHK | DATE |
| | REVISION RECORD | | | | |