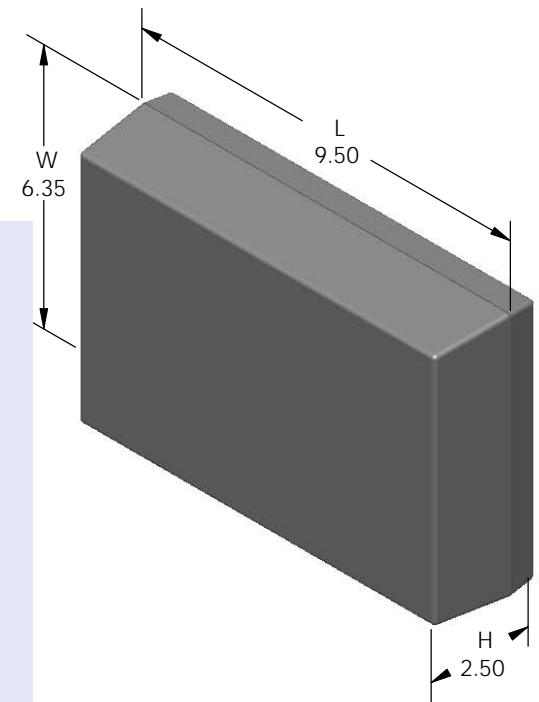
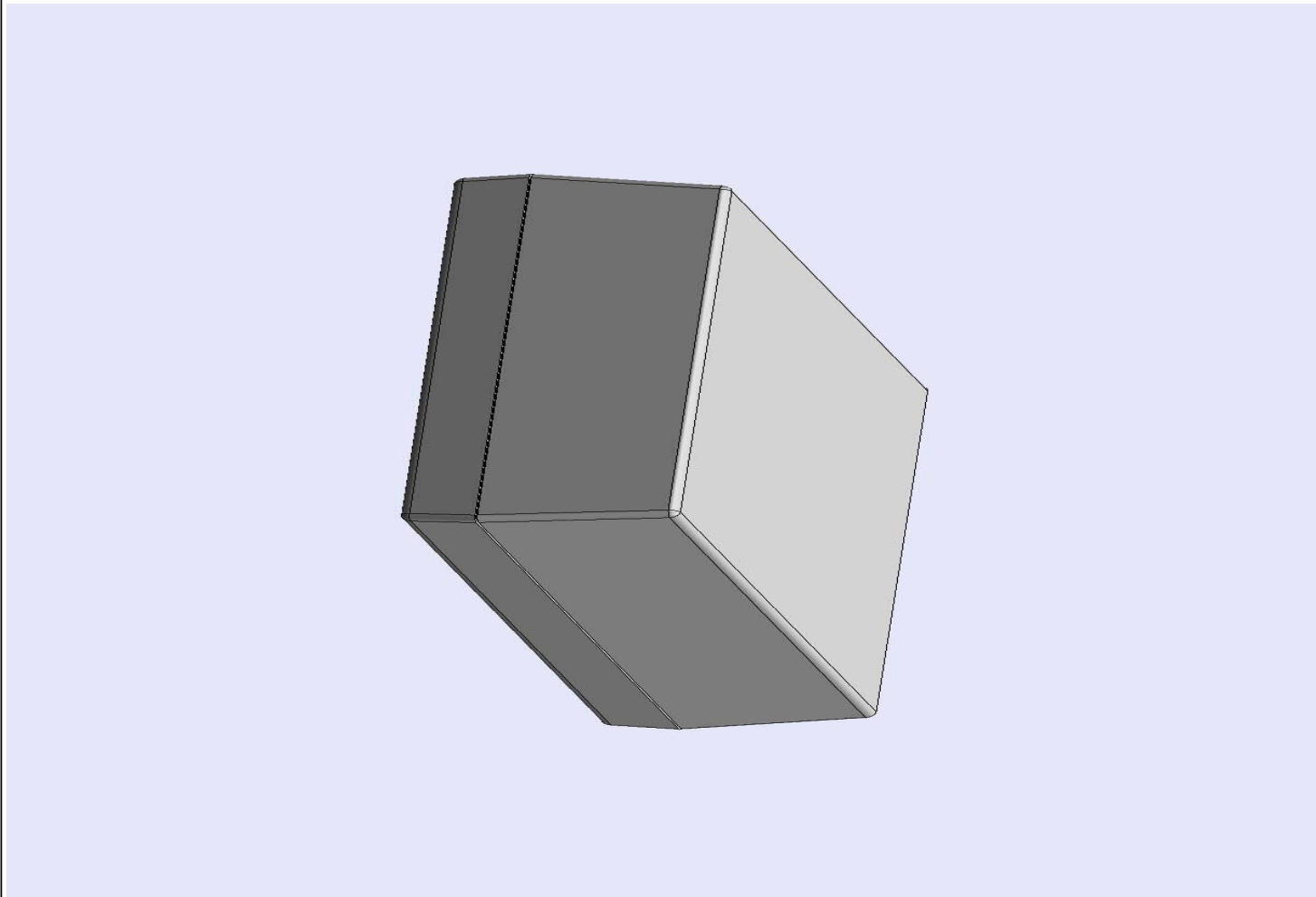


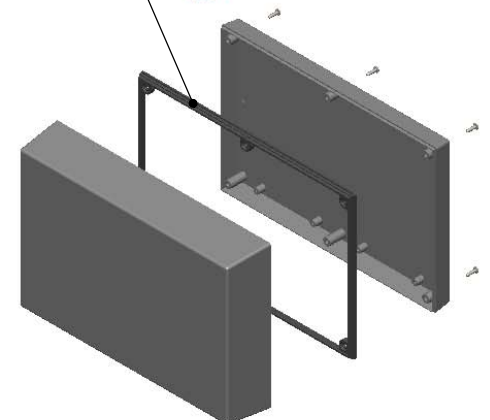
# SERPAC 193 (exploded isometric)

Electronic Enclosures

- Click on image to show toolbar. Use ▶ || to Play/Pause Animation.
- Left click and drag on image to move 3D model.



Water proofing gasket  
PS19 optional.  
see note #2



- a) Zoom in & out with center wheel.
- b) Pause at any moment to view and or print views.
- c) Change the views to ortho and section views if needed from the Views pull down menu.
- d) Explore options included in the tool bar like: Views, Transparency of model, Lighting type, etc.

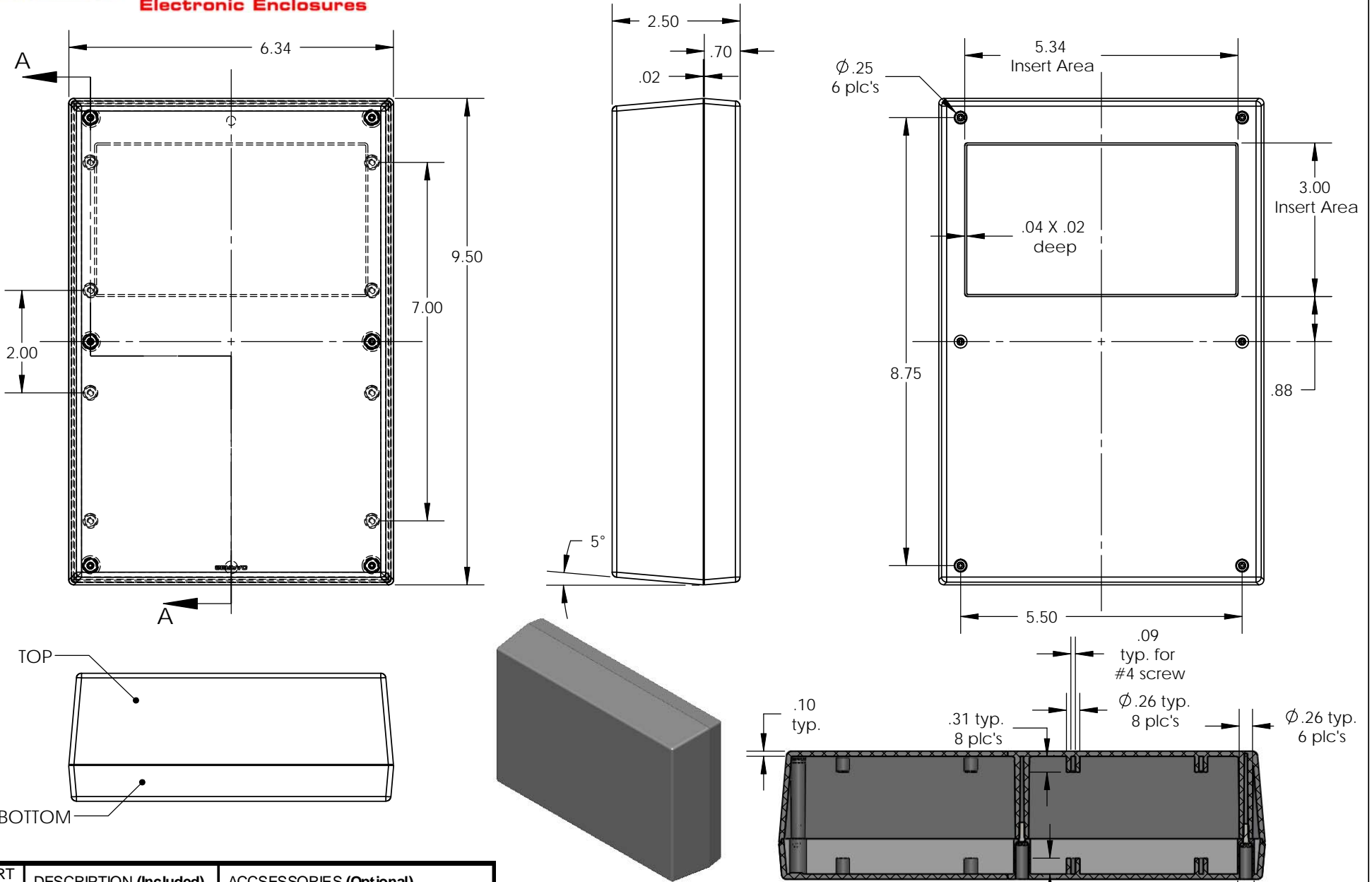
PART NO.	DESCRIPTION (Included)	ACCESSORIES (Optional)	
9-3	TOP	PART NO.	DESCRIPTION
19	BOTTOM	50	Non-skid Feet
6005	#4X3/8" Self tapping (6)	PS19	Perimeter Seal

Notes: Enclosure weight .72 lbs / 327 gm  
 1) Enclosure meets or exceeds IP40 and NEMA 1  
 2) When used with PS19 the enclosure meets or exceeds IP 66 and NEMA 4X, 12 and 13 MIL-STD-810G 506.5  
 3) Circuit Board drawings can be download at:  
[http://www.serpac.com/Products/Sseries/x9x/drawings/09X\\_top-CB.pdf](http://www.serpac.com/Products/Sseries/x9x/drawings/09X_top-CB.pdf)  
 4) All components are RoHS Compliant.

**ALL DIMENSIONS ARE ± .010" 8/11/09 (1 of 2)**  
**619 Commercial Ave. Covina, CA 91723**  
 Ph. (626) 331-0517 Fx. (626) 331-8584 [serpac.com](http://serpac.com)

# SERPAC 193 (user print)

Electronic Enclosures



PART NO.	DESCRIPTION (Included)	ACCESSORIES (Optional)	
9-3	TOP	PART NO.	DESCRIPTION
19	BOTTOM	50	Non-skid Feet
6005	#4X3/8" Self tapping (6)	PS19	Perimeter Seal

Notes: Enclosure weight .72 lbs / 327 gm  
 1) Enclosure meets or exceeds IP40 and NEMA 1  
 2) When used with PS19 the enclosure meets or exceeds IP 66 and NEMA 4X, 12 and 13 MIL-STD-810G 506.5  
 3) Circuit Board drawings can be download at:  
[http://www.serpac.com/Products/Sseries/x9x/drawings/09X\\_top-CB.pdf](http://www.serpac.com/Products/Sseries/x9x/drawings/09X_top-CB.pdf)  
 4) All components are RoHS Compliant.

SECTION A-A  
 SCALE 1 : 2.65

ALL DIMENSIONS ARE ± .010" 3/23/10 (2 of 2)  
 619 Commercial Ave. Covina, CA 91723  
 Ph. (626) 331-0517 Fx. (626) 331-8584 www.serpac.com