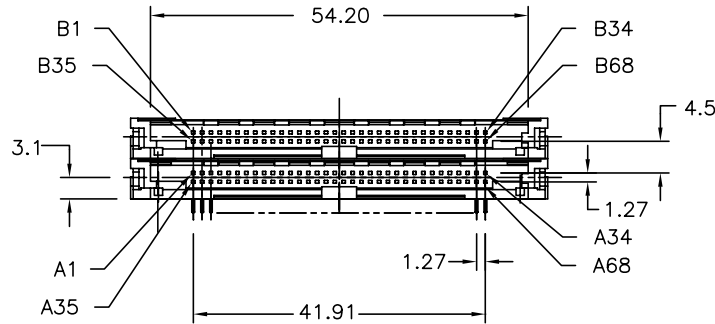
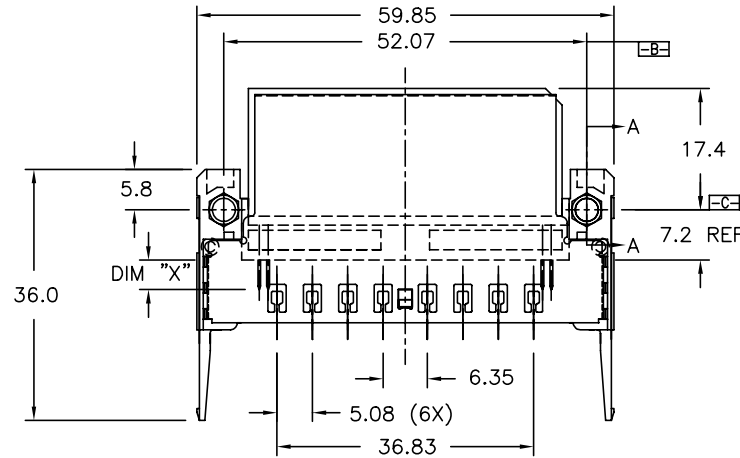
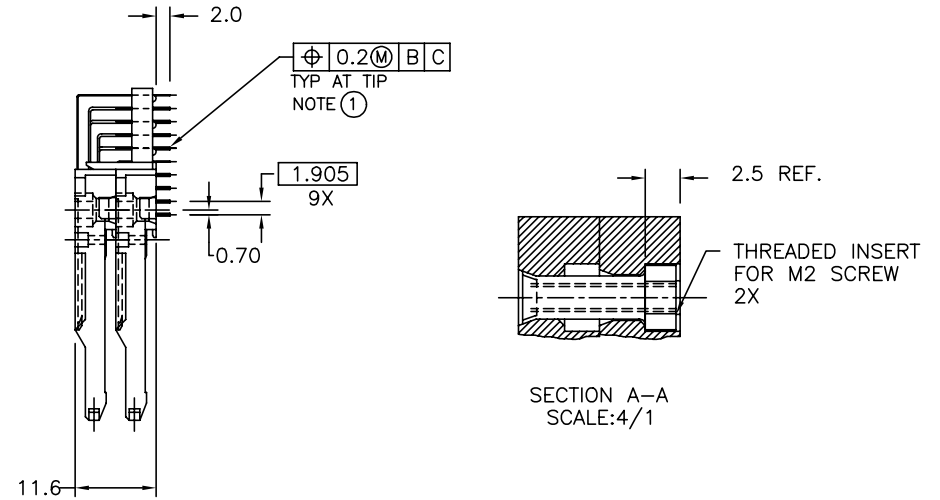


PRODUCT NO.	DIM "X"		
71257-0000	4.25±0.1	3.5±0.1	5±0.1
71257-0000LF	OTHERS	36,67	1,17,34, 35,51,68

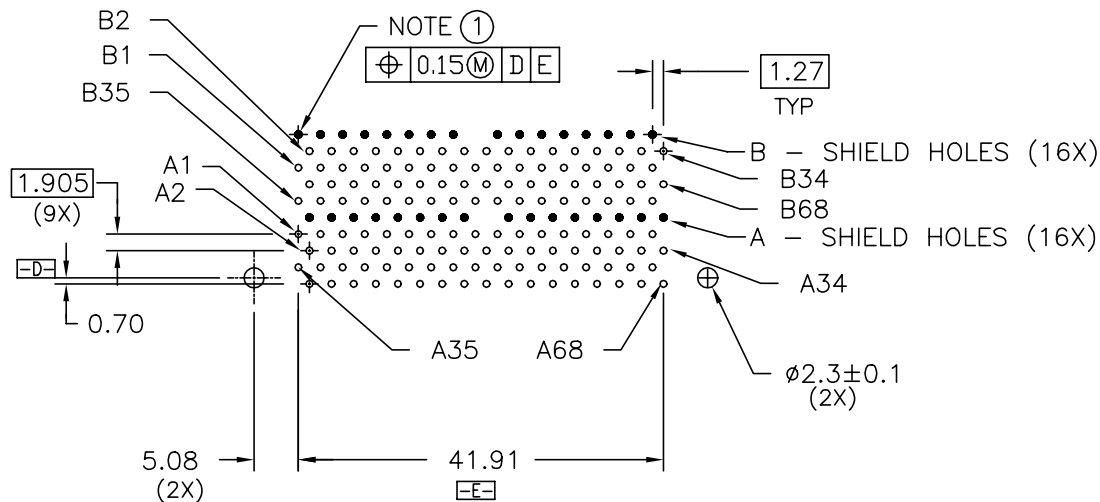


NOTES:

- TRUE POSITION IS A FREE GRID TO THE PIN PATTERN ITSELF.
- MATERIAL:
PLASTIC: HIGH TEMPERATURE THERMOPLASTIC UL94V-0 BLACK
PIN: COPPER ALLOY
- FINISH (PIN):
UNDER PLATING: 0.5 μM MIN. Ni
CONTACT AREA: 0.076 μm MIN. GOLD
SOLDER AREA: 2.5 μM MIN. Sn-Pb
LEAD FREE SOLDER TAIL PLATING 2um (80u") MIN. MATTE TIN
OVER 1.27um (50u") MIN. NICKEL UNDERPLATE.
- RECOMMENDED SCREW TORQUE: 1.0 TO 1.5 MAX in-lbs.
(1.2-1.7 cm-kgs). RECOMMENDED HOLD DOWN: 2mm
SCREWS (95121-002) AND HEX NUTS (92869-001).
- IF LEAD FREE PART NUMBER, THE HOUSING WILL WITHSTAND EXPOSURE TO 260° C
PEAK TEMPERATURE FOR 10 SECONDS IN A WAVE SOLDER APPLICATION WITH A
1.60mm MIN. THICK CIRCUIT BOARD.
- PACKAGING SPECIFICATION: GS-14-415.
PACKAGING OF LEAD FREE PRODUCTS MEETS LABELING AND PACKAGING
SPECIFICATION GS-14-920.
- LEAD FREE PRODUCTS MEET EUROPEAN UNION DIRECTIVES AND OTHER COUNTRY
REGULATIONS AS DESCRIBED IN GS-22-008.
- PRODUCT SPEC: 110-263



mat'l. code	surface ISO1302	tolerance ISO406 ISO1101	projection MM	product family PCMCIA
ltr ecn no dr	date	tolerances unless otherwise specified	scale 1:1	title
A V60110 RHG	01/04/96	0.X±0.3		RIGHT ANGLE DOUBLE DECK
B V70388 RHG	05/22/97	0.XX±0.13		CARDBUS HEADER ASSEMBLY
C V12254 TFG	09/24/01	0.XXX±0.05		
D V12254 HTB	10/08/03	dr D.SHEAFFER	08/11/95	dwg no
E N05-0057 DAI	03/30/05	enr D.BRANN	08/11/95	sheet 1 of 2
F BX-N-007944 ZK	11/01/11	chr D.BRANN	08/11/95	size 71257 A4
G BX-N-011402 ZK	04/23/12	appd D.BRANN	08/11/95	type Product Customer Drawing
sheet index	revision	G	G	
	sheet	1	2	



NOTES:

- ① RECOMMENDED DIAMETER IS $\phi 1.0$. FOR PROCESSES USING PASTE REFLOW, HOLE MAY BE AS SMALL AS $\phi 0.79$.
- 2 ALL TOLERANCES ± 0.15 UNLESS NOTED.

mat'l. code	surface ISO1302	tolerance ISO406 ISO1101	projection ASME Y14.5	product family PCMCIA
ltr ecn nodr date	tolerances unless otherwise specified		MM	RIGHT ANGLE DOUBLE DECK CARDBUS HEADER ASSEMBLY
g	angle	0.X \pm 0.3	scale 1:1	dwg no 71257 sheet 2 of 2 size A4
	0' \pm x'	0.XX \pm 0.13		type Product Customer Drawing
		0.XXX \pm 0.05		
dr	D.SHEAFFER	08/11/95	FCI	
engr	D.BRANN	08/11/95		
chr	D.BRANN	08/11/95		
appd	D.BRANN	08/11/95		
sheet index	revision sheet			