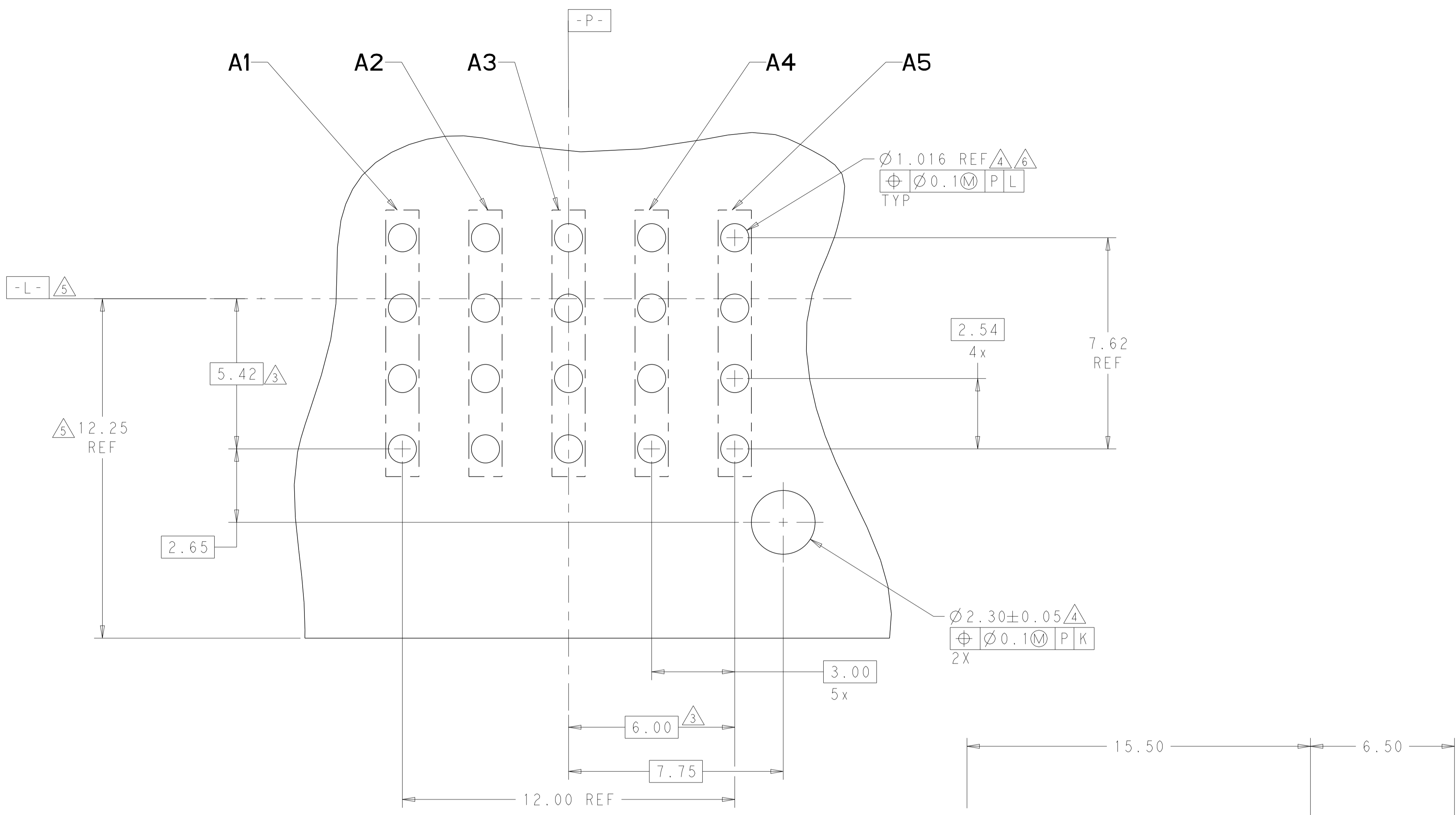
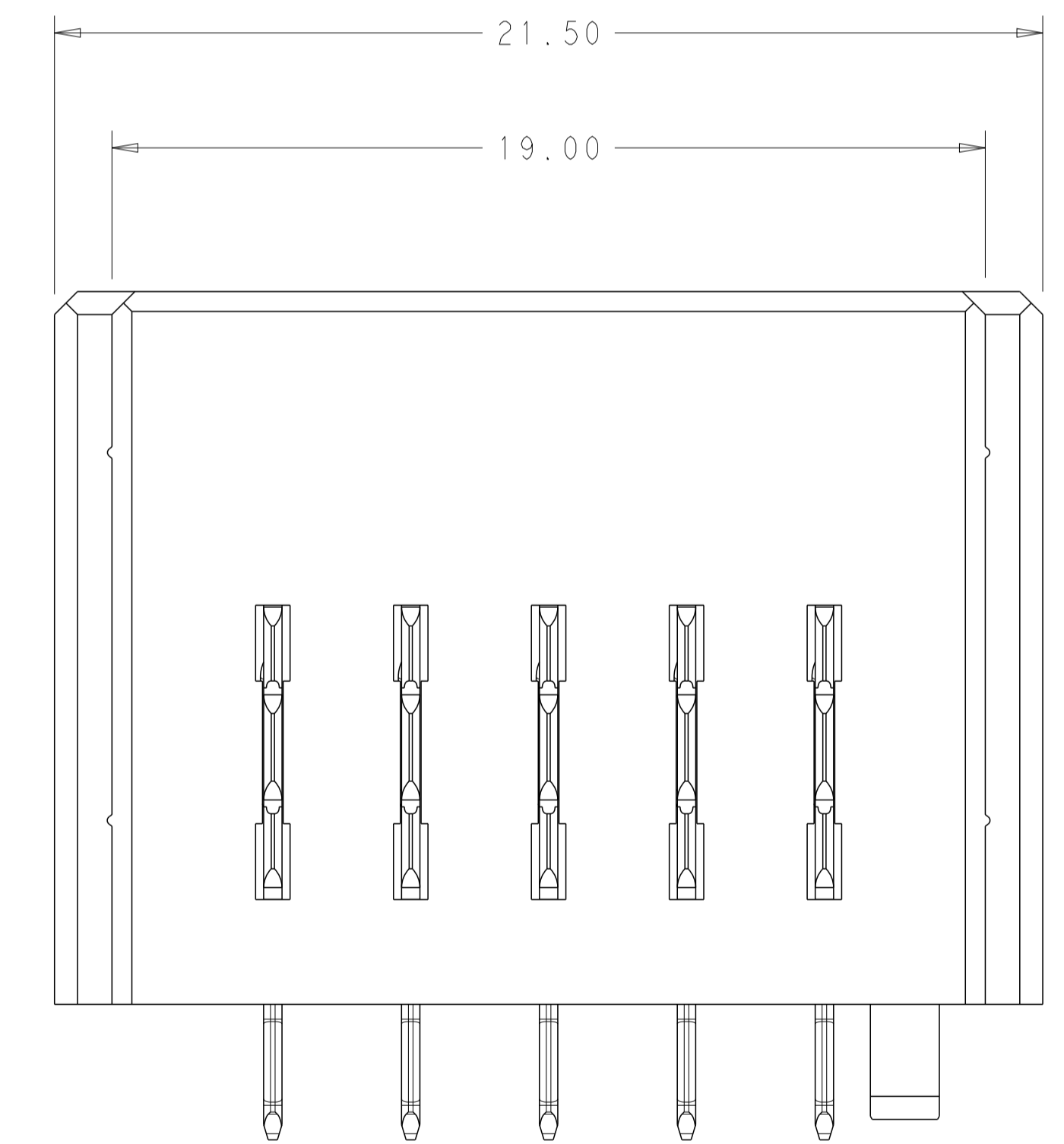
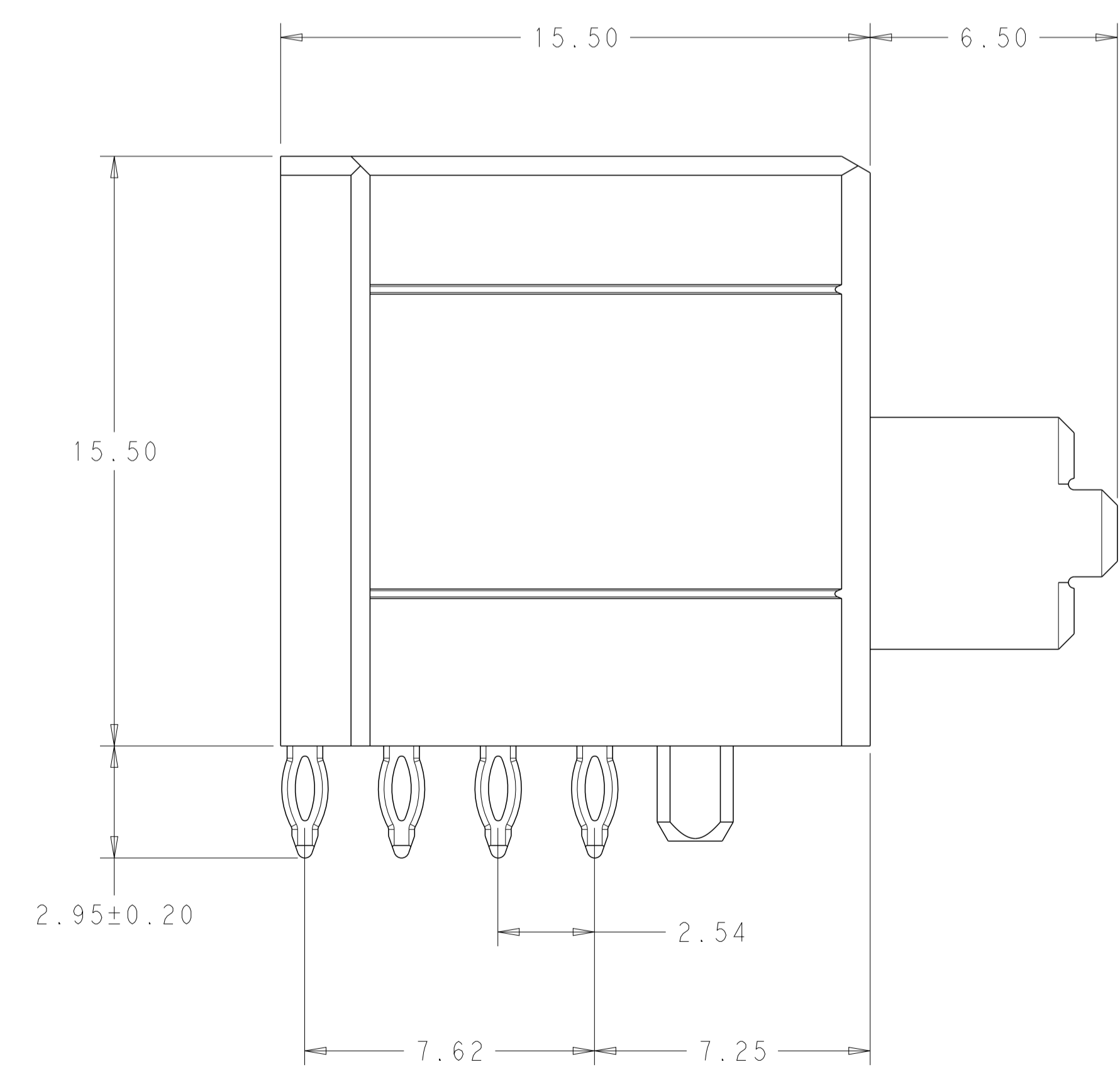


LOC		DIST		REVISIONS			
P	LTN	DESCRIPTION	DATE	DWN	APVD		
C		REV PER ECO 14-018159	12-15-14	CT	DH		
D		REVISED PER ECO-16-002176	30MAR2016	RS	CT		



RECOMMENDED PC BOARD LAYOUT
COMPONENT SIDE SHOWN
SCALE 10:1



- 1 MATERIAL:
CONTACT - COPPER ALLOY
HOUSING - LCP, COLOR - BLACK
- 2 FINISH:
MATING AREA: 0.76µm MIN GOLD OVER
2.54µm MIN NICKEL
COMPLIANT PIN AREA: 0.76µm MIN MATTE TIN OVER
2.54µm MIN NICKEL
- 3 DIMENSION APPLIES TO CENTERLINE OF THRU HOLE.
- 4 PCB - ALL HOLE DIAMETERS ARE FINISHED HOLE SIZES.
- 5 SEE PRINT 2102427-1 FOR DIMENSIONS
- 6 REFERENCE APPLICATION SPEC 114-13251 FOR RECOMMENDED PLATED THRU HOLE DIAMETER AND PLATING THICKNESS.

2	2102444-1
FINISH	PART NUMBER

THIS DRAWING IS A CONTROLLED DOCUMENT.		DWN D. BELACK	11MAR2011	TE Connectivity	
DIMENSIONS: mm		CHK K. THACKSTON	APVD M. McALONIS	NAME LOW POWER, METAL SHELL LRU, RIGHT ANGLE HEADER, MODULE	
TOLERANCES UNLESS OTHERWISE SPECIFIED: 0 PLC ±0.13 1 PLC ±0.10 2 PLC ±0.10 3 PLC ±0.10 4 PLC ±0.10 ANGLES ±2°		PRODUCT SPEC 108-2474		APPLICATION SPEC 114-13251	
MATERIAL 1		WEIGHT ~8.53g		SIZE A100779	
SEE TABLE		CUSTOMER DRAWING		SCALE 8:1 SHEET 1 OF 1 REV D	