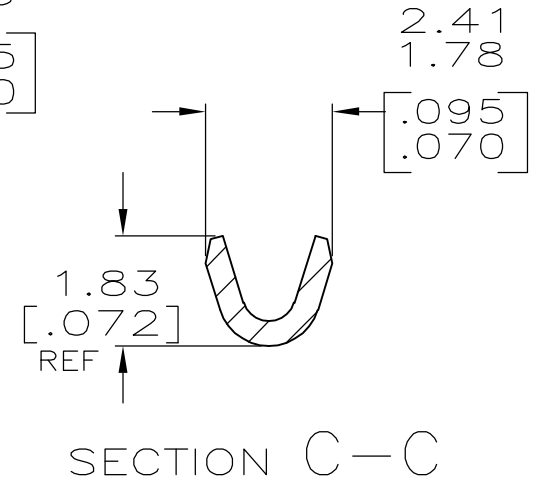
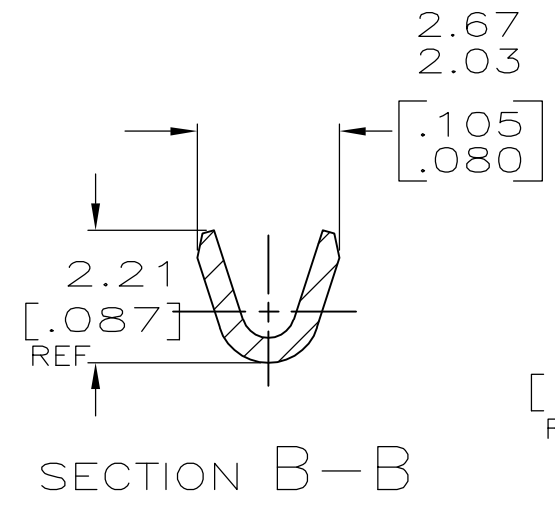
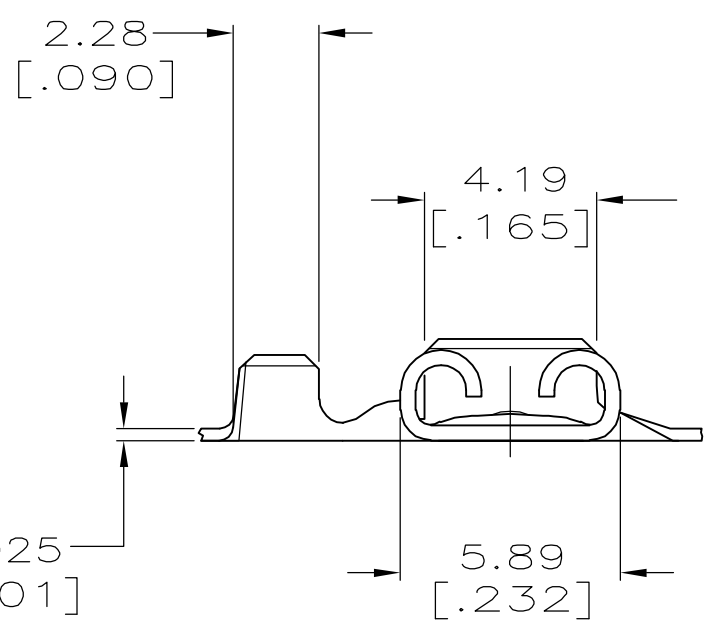
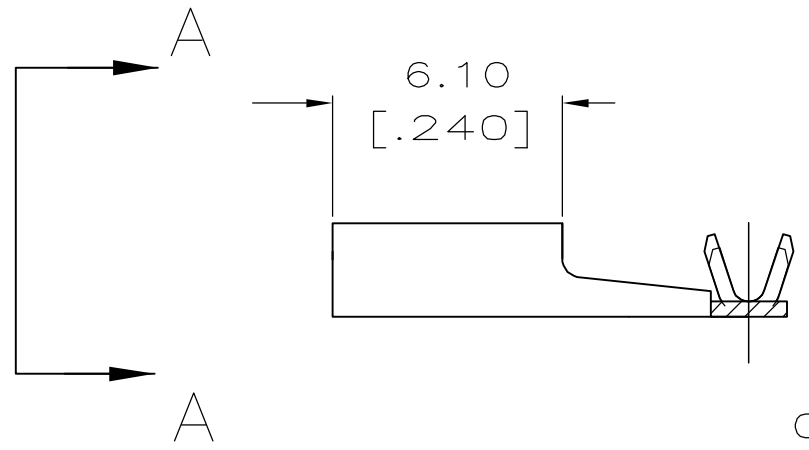
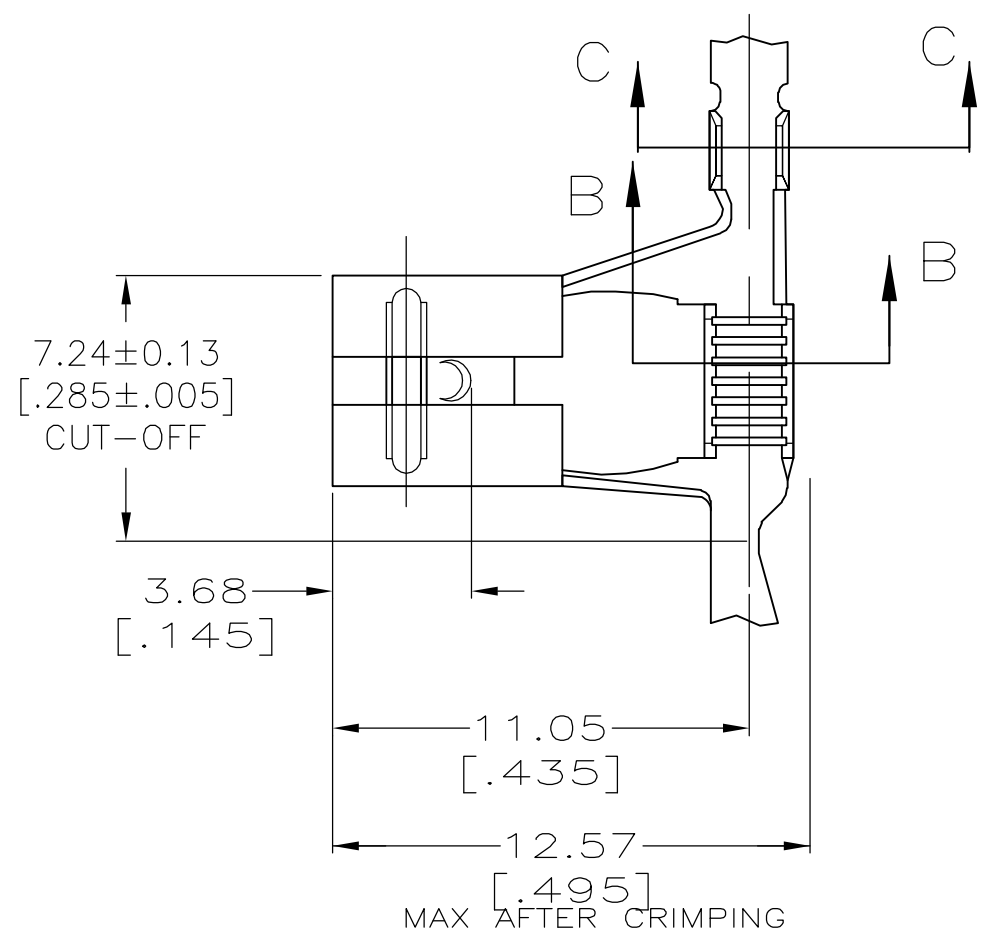


THIS DRAWING IS UNPUBLISHED. RELEASED FOR PUBLICATION
 © COPYRIGHT BY TYCO ELECTRONICS CORPORATION. ALL RIGHTS RESERVED.

LOC	DIST	REVISIONS			
P	LTR	DESCRIPTION	DATE	DWN	APVD
AF	50	H	REV PER ECR 05-010744	01DEC05	JR PD



- 1 CONTINUOUS STRIP ON REELS.
- 2 ACCEPTS MAGNET WIRE RANGES 500-1200 CMA.
- 3 MATING TAB THK TO BE 0.51±0.025 [.020±.001].
- △ 4 0.002032 [.000080] MIN TIN

VIEW A-A

63942-1
PART NO.

THIS DRAWING IS A CONTROLLED DOCUMENT.		DWN JR RUTH 9/30/96	Tyco Electronics Corporation Harrisburg, PA 17105				
DIMENSIONS: MM		CHK MS FEHER 9/30/96					
TOLERANCES UNLESS OTHERWISE SPECIFIED:		APVD P DESANTIS 9/30/96	NAME RECEPTACLE, FASTON, FLAG, AMPLIVAR, 4.75 [.187] SERIES				
0 PLC ± - 1 PLC ± - 2 PLC ± 0.25 [.010] 3 PLC ± - 4 PLC ± - ANGLES ± -		PRODUCT SPEC -	SIZE A3	CAGE CODE 00779	DRAWING NO C-63942	RESTRICTED TO -	
MATERIAL H04 BRASS		FINISH - △ 4	APPLICATION SPEC -	WEIGHT -	SCALE 5:1	SHEET 1 OF 1	REV H
CUSTOMER DRAWING							