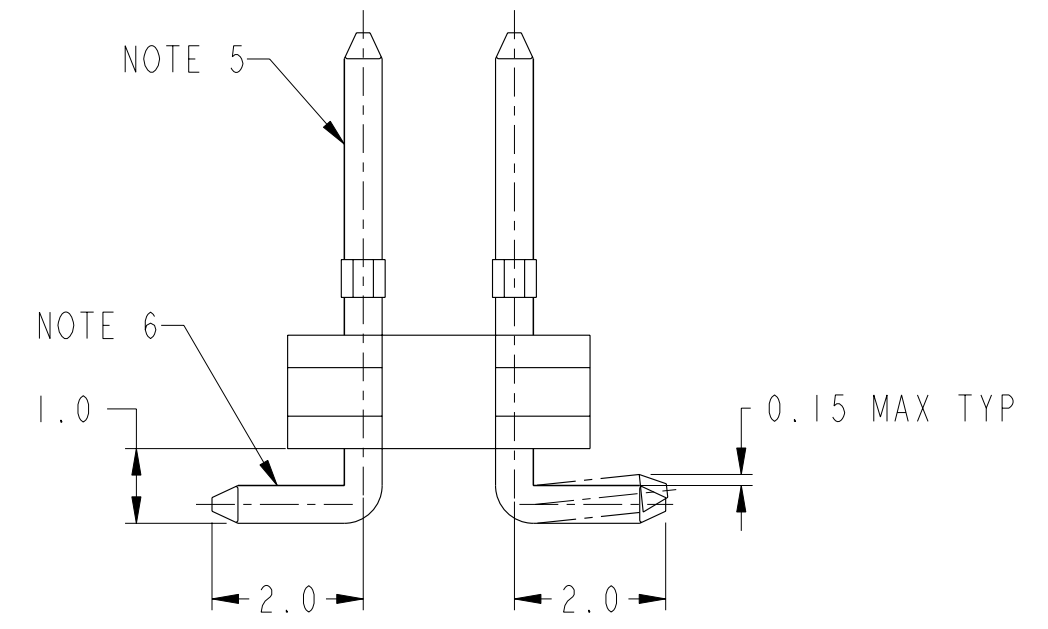
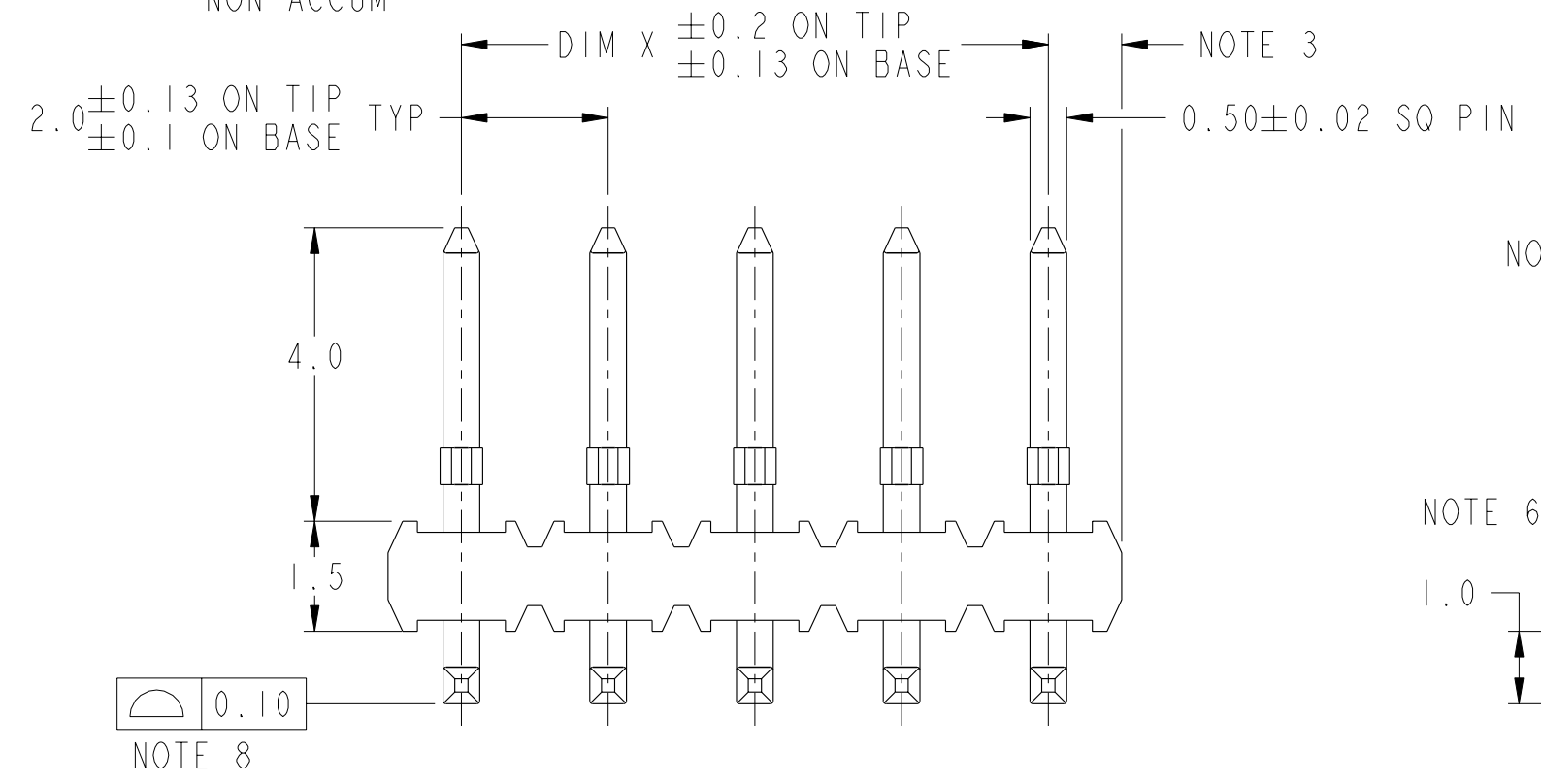


2.00 ± 0.25 TYP
NON-ACCUM



Copyright FCI.

CONFIDENTIAL

rev	ecn no	dr	date
A	S40240	BSL	1994/10/05
B	S40281	BSL	1994/11/08
C	S05-0054	KBM	2005/02/23
D	S10-0205	PR	2009/12/22
-	-	-	-
-	-	-	-
-	-	-	-

www.fciconnect.com		surface ISO 1302	tolerance std ISO 406 ISO 1101	projection A3	MM
		TOLERANCES UNLESS OTHERWISE SPECIFIED		size	Scale 10:1
Dr	BS LOW	1999/05/24	ANGULAR	0.X	±-
Eng	BS LOW	1999/05/24	LINEAR	0.XX	±0.25
Chr	KH LEE	2009/12/22	0° ±°	0.XXX	±-
Appr	JOEY NG	2009/12/22	Product family	-	Spec ref
FCI		MINITEK II SMT STR		dwg no	94262
		HEADER (SnPb S.T)			Rev. D
		catalog no	-	CUSTOMER	sheet 1 of 3

PRODUCT NO.	POS	DIM X	DIM Y
94262-X04	2X2	2	4
X06	2X3	4	6
X08	2X4	6	8
X10	2X5	8	10
X12	2X6	10	12
X14	2X7	12	14
X16	2X8	14	16
X18	2X9	16	18
X20	2X10	18	20
X22	2X11	20	22
X24	2X12	22	24
X26	2X13	24	26
X28	2X14	26	28
X30	2X15	28	30
X32	2X16	30	32
X34	2X17	32	34
X36	2X18	34	36
X38	2X19	36	38
X40	2X20	38	40
X42	2X21	40	42
X44	2X22	42	44
X46	2X23	44	46
X48	2X24	46	48
X50	2X25	48	50

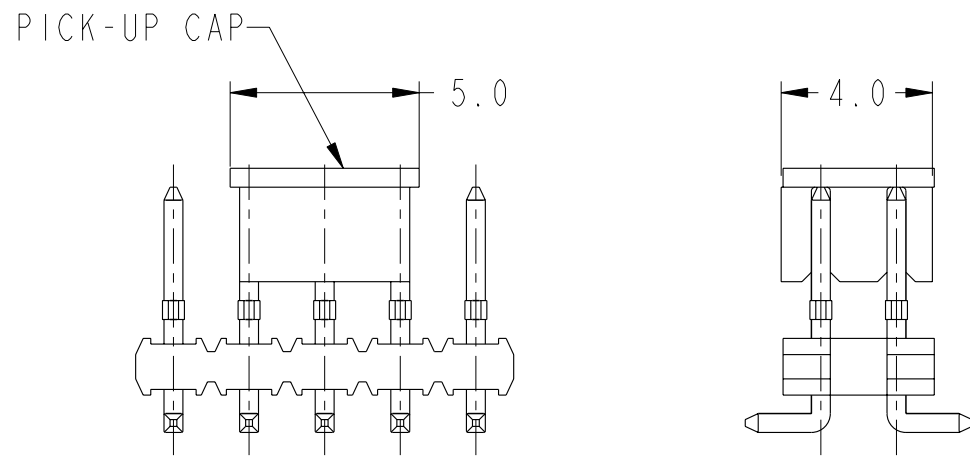
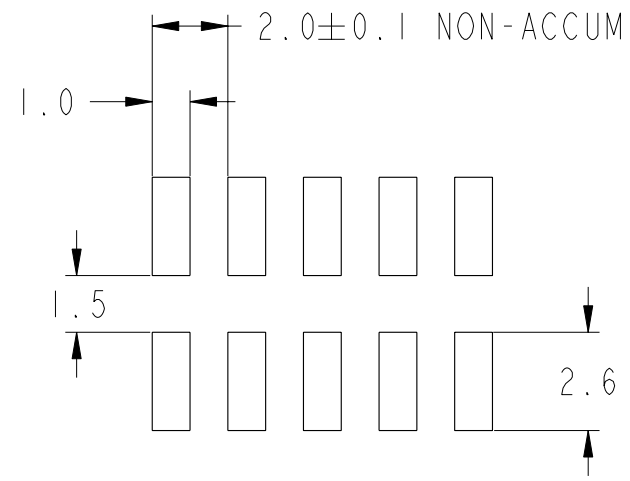


FIG. 1
NOTE 7 (c)
SCALE 5:1



RECOMMENDED PAD LAYOUT

CONFIDENTIAL

www.fciconnect.com		surface - ✓ ISO 1302	tolerance std ISO 406 ISO 1101	projection MM
TOLERANCES UNLESS OTHERWISE SPECIFIED				
Dr	BS LOW	1999/05/24	ANGULAR	0.X ±-
Eng	BS LOW	1999/05/24	LINEAR	0.XX ±0.25
Chr	KH LEE	2009/12/22	0° ±°	0.XXX ±-
Appr	JOEY NG	2009/12/22	Product family	- Spec ref
FCj		MINITEK II SMT STR		dwg no
		HEADER (SnPb S.T)		94262
		catalog no		Rev. D
			CUSTOMER	sheet 2 of 3

NOTES:

1. MATERIAL:
BODY : HIGH TEMPERATURE PLASTIC UL 94V-0 BLACK
PIN : COPPER ALLOY
2. TOLERANCE UNLESS OTHERWISE NOTED ± 0.25
- ③ DIM 1.0 APPLIES TO MOLDED SIDE(S) ONLY.
IF SIDE(S) ARE BROKEN, DIM 1.5 MAX APPLIES.
- ④ RECESS APPLIES TO MOLDED SIDE(S) ONLY.
- ⑤ PLATING ON MATING LENGTH:
-3XX --- 0.38 μ m Au OVER 1.27 μ m MIN NICKEL UNDERPLATE.
-5XX --- 0.38 μ m PdNi W Au FLASH OVER 1.27 μ m MIN NICKEL UNDERPLATE.
-6XX --- 0.76 μ m PdNi W Au FLASH OVER 1.27 μ m MIN NICKEL UNDERPLATE.
- ⑥ SOLDER TAIL PLATING:
a) SOLDER TAIL OF P/N:94262-XXX IS PLATED WITH 3.81 μ m
MIN TIN/LEAD (90/10) PLATING OVER 1.27 μ m MIN Ni UNDERPLATE.
b) SOLDER TAIL OF P/N:94262-XXXLF IS PLATED WITH 3.81 μ m MIN 100%
MATTE TIN PLATING OVER 1.27 μ m MIN Ni UNDERPLATE.
7. PACKAGING:
a) STANDARD PACKAGING IN PLASTIC BAG.
b) SPECIFY 94262-XXXT FOR TUBE PACKAGING.
c) SPECIFY 94262-XXXTR FOR TAP AND REEL PACKAGING.
A PICK-UP CAP IS PROVIDED IN THE CENTRE OF
THE PRODUCT (SEE FIG.1) FOR PICK AND PLACE APPLICATION.

11. THE HOUSING WILL WITHSTAND EXPOSURE TO 260°C PEAK TEMPERATURE FOR 10 SECONDS IN A WAVE SOLDER APPLICATION WITH A 1.57MM MINIMUM THICK CIRCUIT BOARD.
- ⑫ THIS PRODUCT MEETS EUROPEAN UNION DIRECTIVES AND OTHER COUNTRY REGULATIONS AS DESCRIBED IN GS-22-008.
- △ 13. A △ D SYMBOL WILL BE NEXT TO ANY DIMENSION, VIEW OR NOTE WHICH HAS BEEN MODIFIED WITH THE CURRENT DRAWING REVISION.

⑧ COPLANARITY OF SOLDER LEADS TO BE WITHIN 0.10mm.

9. PRODUCT DESCRIPTION CODE:

XXXXX-XXXLF



10. THE HOUSING WILL WITHSTAND EXPOSURE TO 255°C PEAK TEMPERATURE FOR 10 SECONDS IN A CONVECTION, INFRA-RED OR VAPOR PHASE REFLOW OVEN.

CONFIDENTIAL

www.fciconnect.com			surface <input checked="" type="checkbox"/> ISO 1302	tolerance std ISO 406 ISO 1101	projection	MM	
TOLERANCES UNLESS OTHERWISE SPECIFIED							
Dr	BS LOW	1999/05/24	ANGULAR	LINEAR	0.X	±-	
Eng	BS LOW	1999/05/24			0.XX	±0.25	size A3
Chr	KH LEE	2009/12/22	0°	±°	0.XXX	±-	ECN S10-0205
Appr	JOEY NG	2009/12/22	Product family			-	Spec ref
		MINITEK II SMT STR			dwg no 94262		Rev. D
		HEADER (SnPb S.T)			CUSTOMER		sheet 3 of 3
		catalog no					