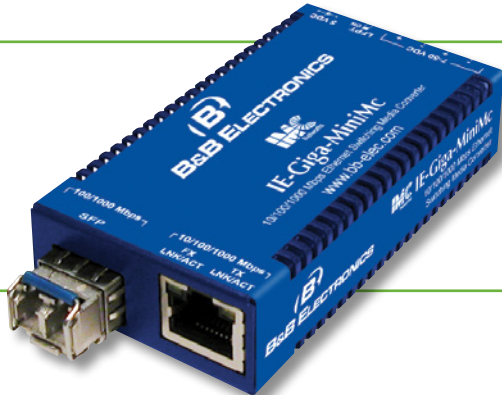




Industrial Grade 10/100/1000 Miniature Media Converters

IE-Giga-MiniMc (with LFPT Switch)



PRODUCT FEATURES

- Connects 10/100/1000 Mbps copper to 1000 Mbps fiber
- For use in extended temperatures
- Cascading power on DIN rail installations
- Dual USB power cable (optional)
- Link Fault Pass-Through (LFPT) capability via a DIP Switch

Media conversion is the most cost-effective and flexible solution for implementing new technologies on legacy wiring plants and equipment. But even reasonably-priced media converters can tack on a substantial sum to networking costs. And space constraints can also be an issue when hundreds of conversions are required.

Measuring less than 3.5 inches deep and 2 inches wide, and having both data connections on the same side of the unit—the IE-Giga-MiniMc-LFPT is the industry’s smallest media converter at a fraction of the cost of other alternatives. Link Fault Pass Through (LFPT) can be enabled/disabled via a DIP Switch on the unit, and is a useful diagnostic feature that assists the network administrator in indicating a fault condition on a given segment between the interfaces.

With Plug-and-Play, Auto Negotiation and AutoCross operation, extreme operating temperatures (-25° to +85° C), DC or AC power, the IE-Giga-MiniMc-LFPT miniature media converter is easy and convenient to use.

SFP port supports 100 Mbps or 1000 Mbps SFPs (fiber). This allows the customer to utilize the product for a Fast Ethernet circuit and later upgrade to Gigabit.

ORDERING INFORMATION

MODEL NUMBER	FIBER	FIBER PORTS	RANGE	ETHERNET PORTS	ETHERNET CONNECTOR
IE-Giga-MiniMc (with LFPT Switch)					
856-18929	SFP	1	Various	1	RJ45
856-18930	MM850-SC	1	220/550 m	1	RJ45
856-18931	SM1310-SC	1	15 km	1	RJ45
856-18932	SM1310/PLUS-SC	1	30 km	1	RJ45
856-18933	SM1550/LONG-SC	1	80 km	1	RJ45
856-18934	SM1550/XLONG-SC	1	100 km	1	RJ45
SINGLE STRAND FIBER *					
856-18935	SSLX-SM1310-SC	1	15 km	1	RJ45
856-18936	SSLX-SM1550-SC	1	15 km	1	RJ45
856-18925	SSBX-SM1310-SC	1	10 km	1	RJ45
856-18926	SSBX-SM1490-SC	1	10 km	1	RJ45
856-18937	SSLX-SM1310/PLUS-SC	1	40 km	1	RJ45
856-18938	SSLX-SM1550/PLUS-SC	1	40 km	1	RJ45
856-18927	SSBX-SM1310/PLUS-SC	1	30 km	1	RJ45
856-18928	SSBX-SM1490/PLUS-SC	1	30 km	1	RJ45
856-18939	SSLX-SM1490/LONG-SC	1	70 km	1	RJ45
856-18940	SSLX-SM1550/LONG-SC	1	70 km	1	RJ45
856-18941	SSLX-SM1550/XLONG-SC	1	80 km	1	RJ45
856-18942	SSLX-SM1550/XLONG-SC	1	80 km	1	RJ45

* SFP Fiber sold separately

* These products have single-strand fiber technology. Deploy in pairs or connect another compatible B&B IMC LLC single-strand fiber product.

ACCESSORIES

- 806-39105 - DIN Rail Clip
- 806-39638 - Double-USB Power Cable, 36"/.9m
- 806-39650 - 12"/.3m Barrel-Connector Power Cable
- 850-13086 - IE-PowerTray/18-AC (-20°C to +70°C), 18-slot AC powered chassis
- 895-39229 - Wall Mount Bracket
- 806-39753 - IE-Power/5V Module, AC to DC DIN Rail Power Adapter

IE-Giga-MiniMc LFPT also available in CWDM Fiber. Call for details.

Industrial Grade 10/100/1000 Miniature Media Converters

IE-Giga-MiniMc (with LFPT Switch)



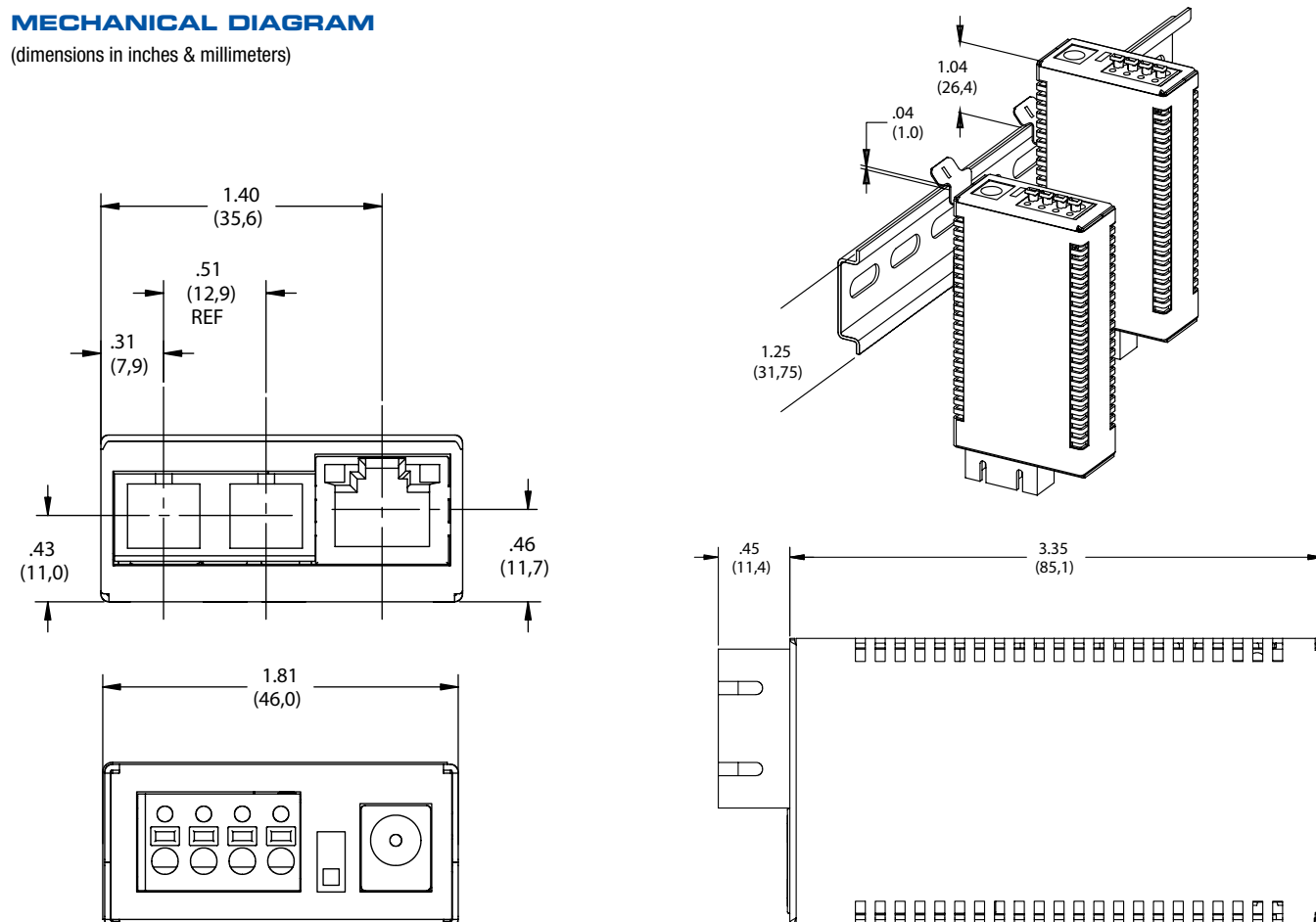
SPECIFICATIONS

TECHNICAL

IEEE 802.3 10Base-T twisted pair
IEEE 802.3u 100Base-TX twisted pair
IEEE 802.3ab 1000Base-T twisted pair
IEEE 802.3z 1000Base-LX or SX fiber
MTU: Supports Jumbo Frames up to 10240 bytes
Extended temperature range (DC configuration)
Plug-and-play operation
RJ45, SC and SFP connectors
50/125µm or 62.5/125µm multi-mode fiber
9/125µm single-mode fiber Single-strand fiber and CWDM models
4-terminal DC power with a pair of input terminals and a pair of output terminals for cascading power on DIN installations
Country-specific, high-reliability power adapter
Auto Negotiation, Auto-Cross for MDI/MDIX
Layer 2 packet switching, store and forward (forwarding rate: 14,881 pps for 10 Mbps, 148,810 pps for 100 Mbps, 1,488,096 pps for 1000 Mbps)
Status LEDs
Supports DIN Rail mounting

MECHANICAL DIAGRAM

(dimensions in inches & millimeters)



MECHANICAL

Dimensions	0.83"H x 1.80"W x 3.35"D (2.11 x 4.57 x 8.51 cm)
Shipping Weight	0.7 lbs (.317 kg)

POWER

AC Adapter	100 to 240 ±10% VAC input, 5 VDC @ 2.0 A max
DC Input Voltage	7 to 50 VDC @ 2.5 watts, Chassis grounded to negative terminal

ENVIRONMENTAL

Operating Temperature: DC terminal block	-13°F to +185°F (-25°C to +85°C)
Operating Temperature: AC Adapter	+14°F to +122°F (-10°C to +50°C)
Storage Temperature:	-31° F to +167° F (-35° C to +75° C);
Operating Humidity	5% to 95% (non-condensing)

REGULATORY APPROVALS

FCC Class B
UL/cUL, CSA, CE