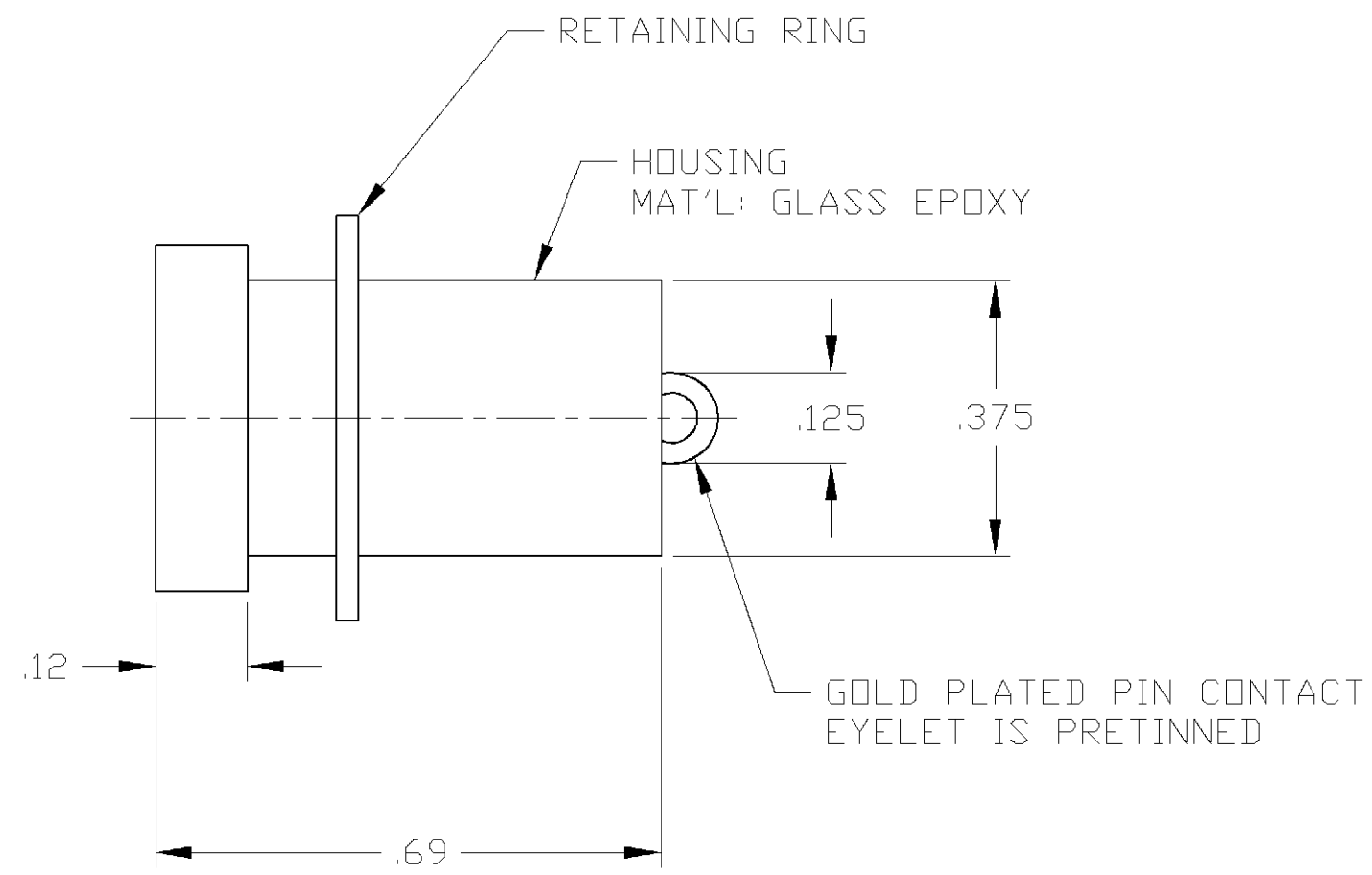
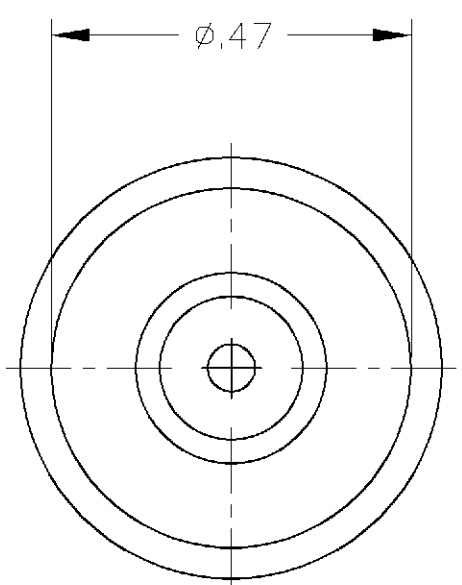


THIS DRAWING IS UNPUBLISHED. RELEASED FOR PUBLICATION  
 © COPYRIGHT BY TYCO ELECTRONICS CORPORATION. ALL RIGHTS RESERVED.

LOC	DIST	REVISIONS			
P	LTR	DESCRIPTION	DATE	DWN	APVD
DF	SO	C	REV PER 0G3D-0255-01	3-02	CT DE



1. IF BULKHEAD AND MOUNTING HARDWARE ARE METALLIC AND AT GROUND POTENTIAL PROVISIONS MUST BE MADE TO PROTECT THE RECEPTACLE BACK END AGAINST ARC OVER AND BREAKDOWN.

859111-1  
PART NO.

THIS DRAWING IS A CONTROLLED DOCUMENT.		DWN C.C.THOMAS 26MAR2002	Tyco Electronics Corporation Harrisburg, Pa 17105-3608			
DIMENSIONS: INCHES		CHK D.EABY 3-27-02				
TOLERANCES UNLESS OTHERWISE SPECIFIED:		APVD D.EABY 3-27-02	NAME PIN AND BUSHING ASSEMBLY, LGH			
		PRODUCT SPEC -	APPLICATION SPEC -			
MATERIAL -		FINISH -	SIZE A3	CAGE CODE 00779	DRAWING NO C-859111	RESTRICTED TO -
CUSTOMER DRAWING			SCALE 4:1	SHEET 1 OF 1	REV C	