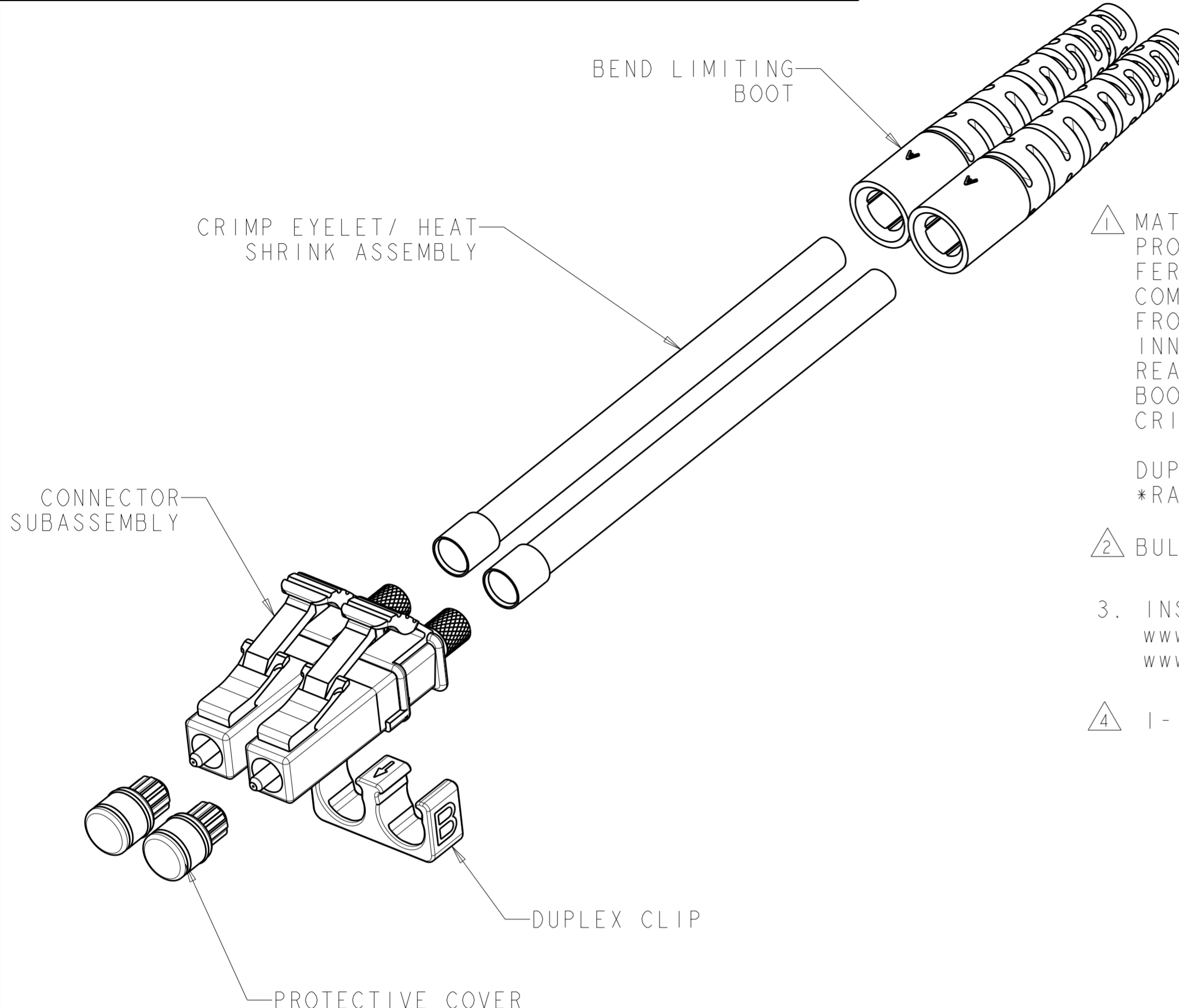


THIS DRAWING IS UNPUBLISHED. RELEASED FOR PUBLICATION
 © COPYRIGHT - ALL RIGHTS RESERVED.

LOC	DIST	REVISIONS					
		P	LTR	DESCRIPTION	DATE	DWN	APVD
HG	-		E	REV PER ECR-10-009334	12MAY2010	IL	CT
		E1	REV PER ECR-11-010923	31MAY2011	LL	CT	
		E2	ADD DASH NUMBER -9	18APR2012	KZ	RZ	
		E3	ADD DASH NUMBER -10	16OCT2012	KZ	RZ	

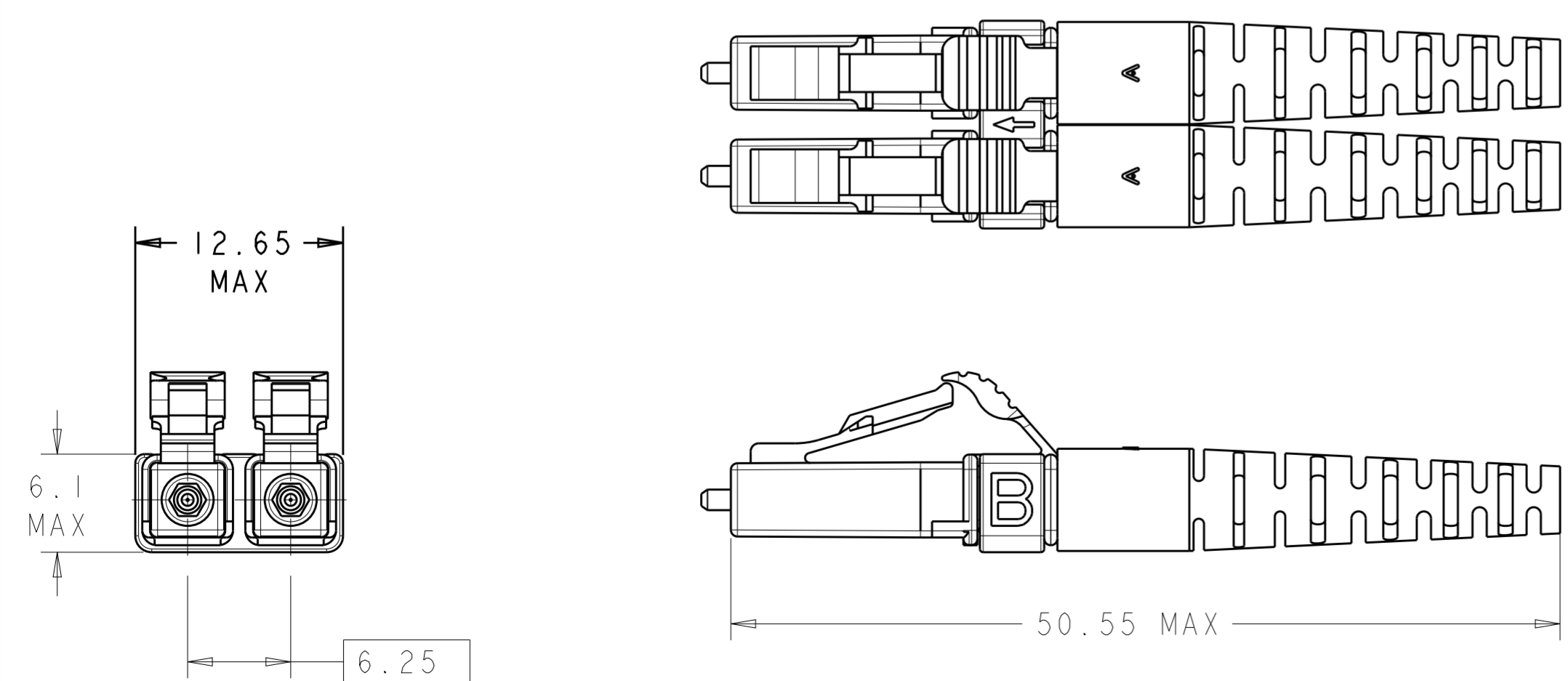


1 MATERIAL
 PROTECTIVE COVER: TPE, COLOR: BLACK, UL94 HB*
 FERRULE SUBASSEMBLY: ZIRCONIA/METAL
 COMPRESSION SPRING: STAINLESS STEEL
 FRONT HOUSING: PEI, COLOR: BEIGE, UL94 V-0*
 INNER TUBING: PTFE, COLOR: CLEAR, UL VW-1
 REAR BODY: METAL
 BOOT: PP, UL94 V-0*, SEE TABLE FOR COLOR.
 CRIMP EYELET/HEAT SHRINK ASSY: ALUM. ALLOY, HEAT SHRINK: POLYOLEFIN, UL VW-1,
 COLOR: WHITE AND YELLOW
 DUPLEX CLIP: PEI, COLOR: BEIGE, UL94 V-0*
 *RATED AT QUALIFYING THICKNESS.

2 BULK PACKAGED.

3. INSTRUCTION SHEET: 408-8675 AVAILABLE FOR DOWNLOAD AT
www.tycoelectronics.com/documents OR
www.ampnetconnect.com/foguide.

4 1-1918373-0 DOESN'T CONTAIN CRIMP EYELET/ HEAT SHRINK ASSEMBLIES AND BOOTS.



4	2	-	-	1-1918373-0
	2	WHITE/YELLOW	WHITE	1918373-9
		WHITE	BLUE	1918373-8
	2	WHITE/YELLOW	BEIGE	1918373-7
	2	WHITE	BLACK	1918373-6
	2	WHITE	AQUA	1918373-5
		WHITE	BLACK	1918373-4
		WHITE	AQUA	1918373-3
	2	WHITE	BEIGE	1918373-2
		WHITE	BEIGE	1918373-1
		HEAT SHRINK COLOR	BOOT COLOR	PART NUMBER

THIS DRAWING IS A CONTROLLED DOCUMENT.

DIMENSIONS:	TOLERANCES UNLESS OTHERWISE SPECIFIED:	DWN B. BRIGGS 21APR2006	 TE Connectivity
mm	0 PLC ±	CHK D. ROHDE 21APR2006	
	1 PLC ±	APVD D. BAECHTLE 21APR2006	
	2 PLC ±	PRODUCT SPEC	
	3 PLC ±	APPLICATION SPEC	NAME KIT, CONNECTOR, LC, DUPLEX, MM, 1.6-2.0mm JACKET
	4 PLC ±	WEIGHT	SIZE A2
MATERIAL	ANGLES ±	CUSTOMER DRAWING	CAGE CODE -
	FINISH	SCALE 3:1	DRAWING NO G-1918373
		SHEET 1 OF 1	RESTRICTED TO -
		REV E2	