

THIS DRAWING IS UNPUBLISHED.

RELEASED FOR PUBLICATION

© COPYRIGHT - By -

ALL RIGHTS RESERVED.

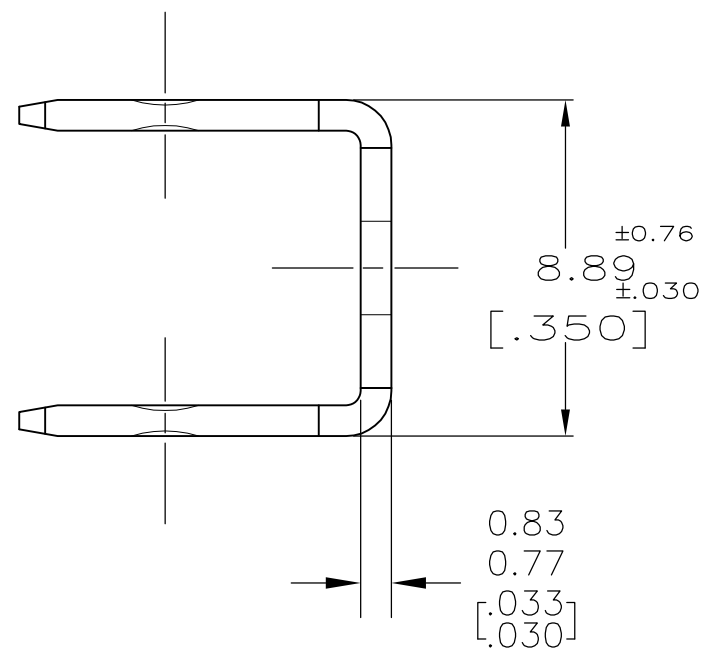
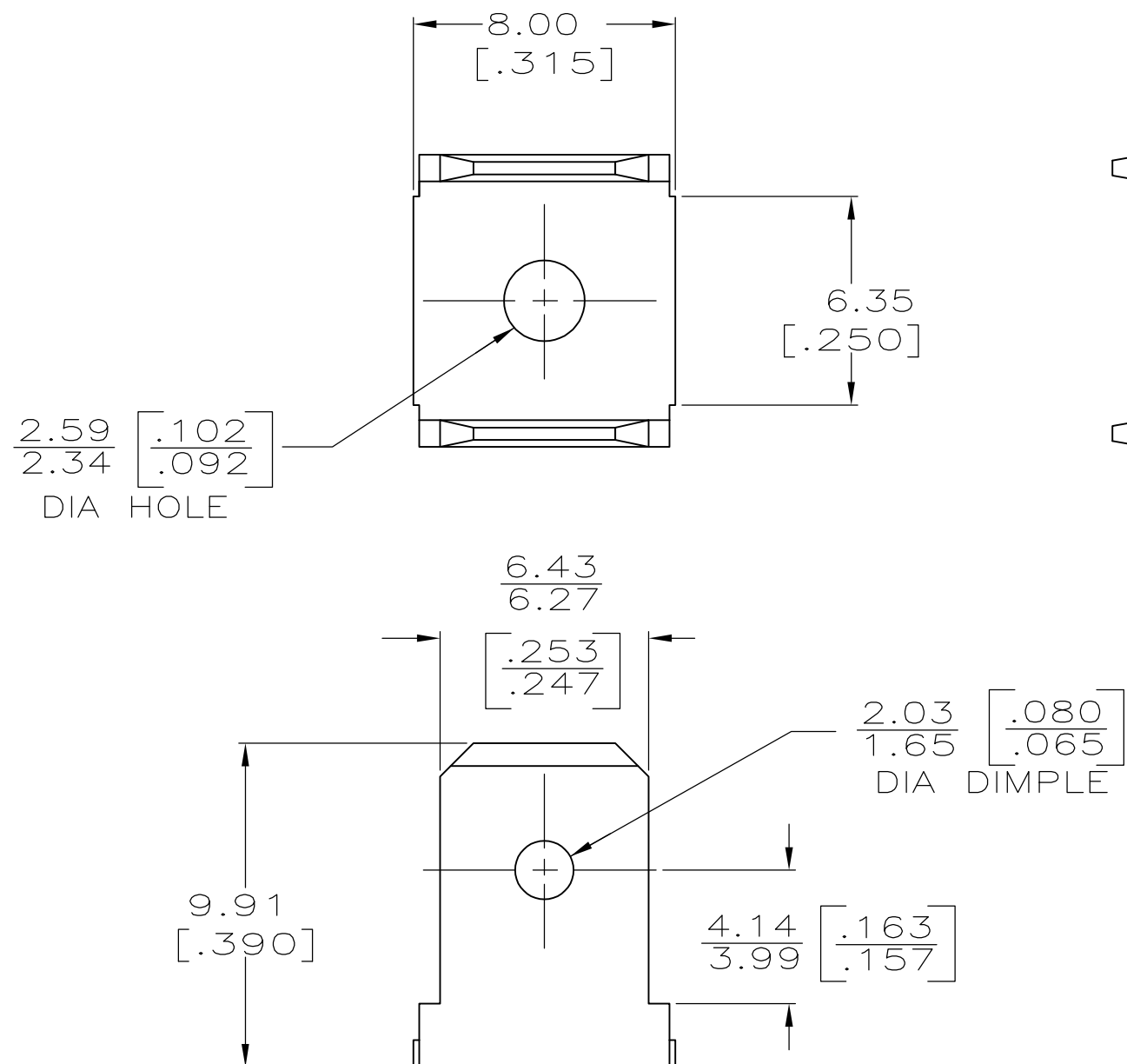
LOC AF DIST 50

REVISIONS


P	LTR	DESCRIPTION	DATE	DWN	APVD
	AH4	REVISED PER ECR-11-022919	11/11/11	JR	PD

1 SUPPLIED IN LOOSE PIECE

2 PRELIMINARY - NOT FOR PRODUCTION



TIN OVER COPPER	2 60080-3
TIN	60080-2
FINISH	PART NO

THIS DRAWING IS A CONTROLLED DOCUMENT.		DWN JR RUTH 12/2/91	 TE Connectivity					
DIMENSIONS: MM [INCHES]		CHK MS FEHER 12/2/91				NAME		
TOLERANCES UNLESS OTHERWISE SPECIFIED:		APVD MEYERS 12/2/91				PRODUCT SPEC		
0 PLC ± - 1 PLC ± - 2 PLC ± - 3 PLC ± 0.38 [.015] 4 PLC ± - ANGLES ± -		APPLICATION SPEC				TAB, FASTON, 6.35 [.250] SERIES		
MATERIAL 082 BRASS		FINISH SEE TABLE	WEIGHT -	SIZE A3	CAGE CODE 00779	DRAWING NO C-60080	RESTRICTED TO -	
CUSTOMER DRAWING			SCALE 5:1	SHEET 1 OF 1	REV AH4			